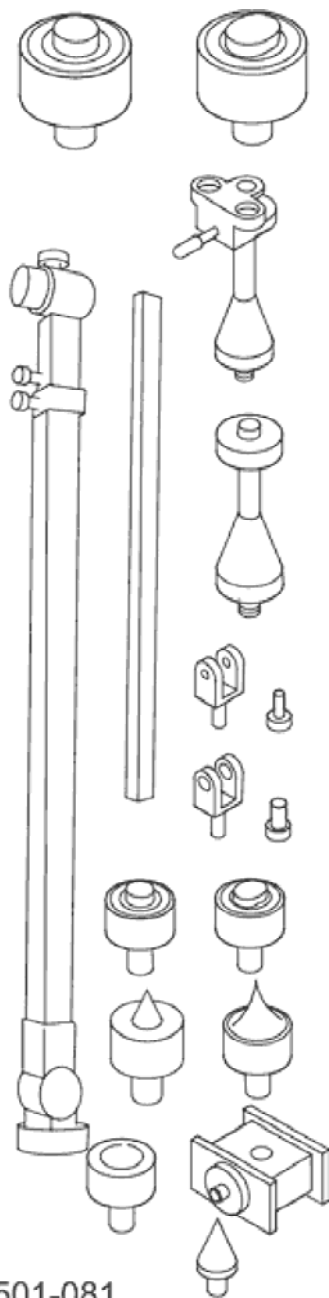


## Underbody Misalignment Check

### Special Service tools

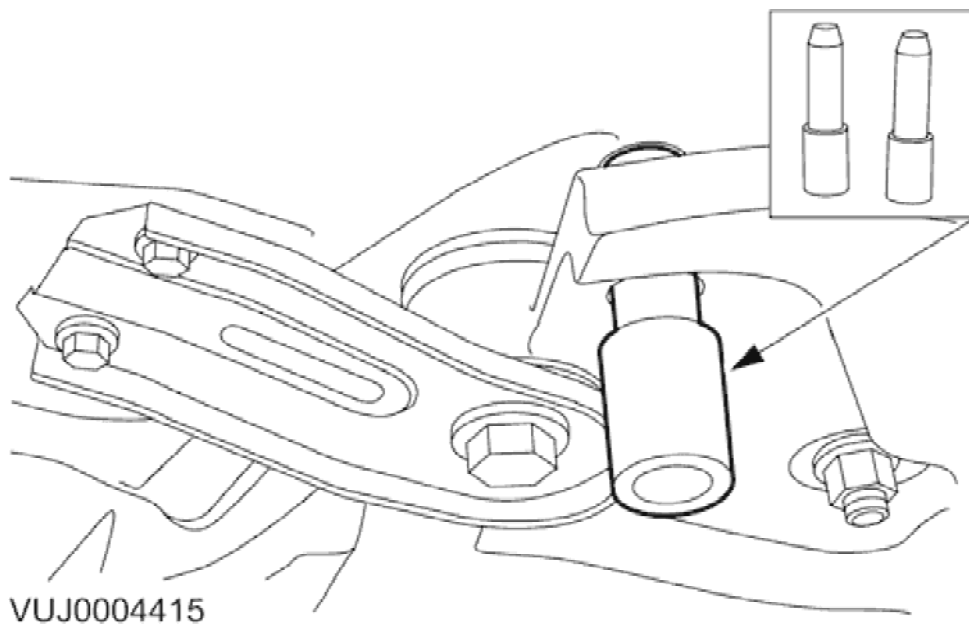


**501-081**  
Alignment equipment  
501-081

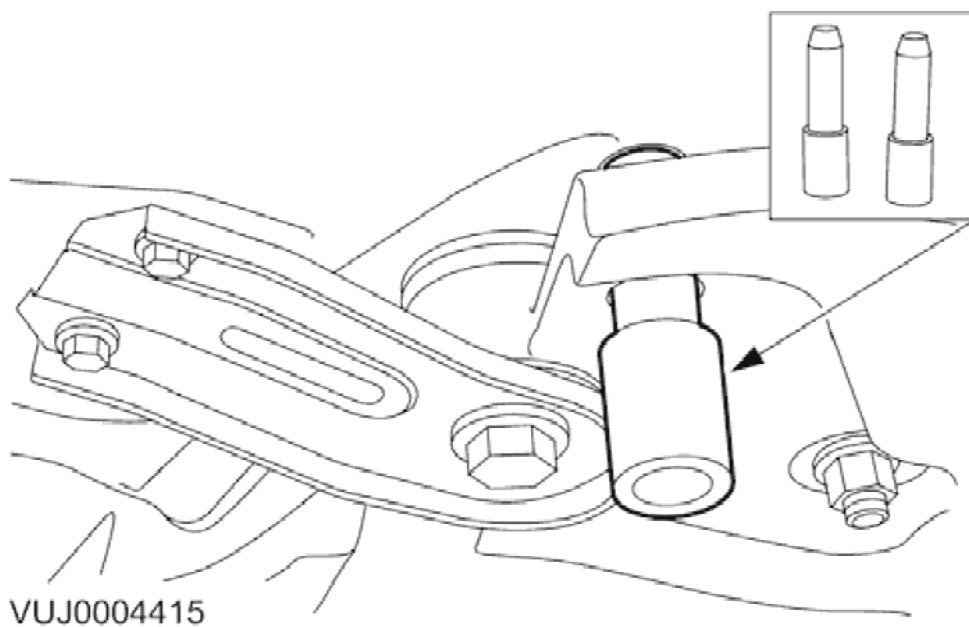
1. Raise and support the vehicle on a two post ramp. For additional information, refer to <<100-02>>.
2. Inspect all underbody structural members for cracks, twists or bends. Check all welded connections for

## 2004 X-TYPE - Uni-Body, Subframe and Mounting System - 502-00

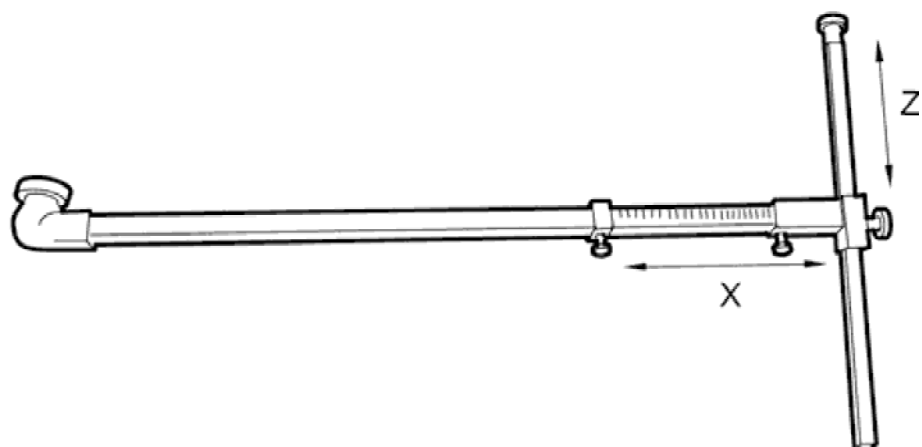
cracks. Inspect the support brackets for looseness. Perform any necessary service or make replacements as required.



3. Install the alignment pins supplied with special tool number HTJ1200-2 to the rear of the front subframe for the initial front subframe to vehicle body alignment check.



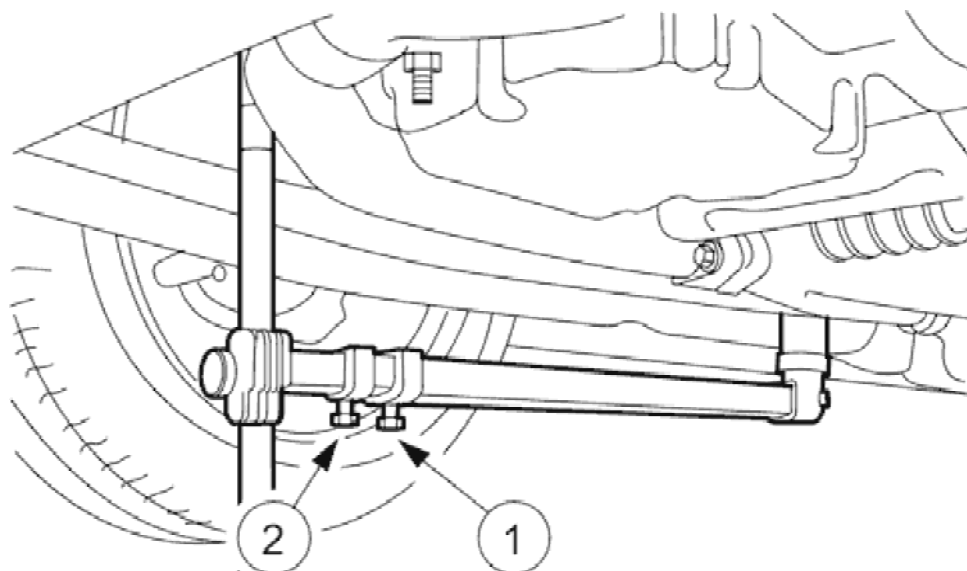
4. Remove the alignment pins.



VUJ0002768

5.  **CAUTION:**  
Make sure the measuring equipment is used the right way up as shown in the illustration.

The Z measurement is set on the special tool before the X measurement is taken on the vehicle.



VUJ0002767

6.  **CAUTION:**  
Make sure the measuring equipment is used the right way up as shown in the illustration.

**NOTE:**

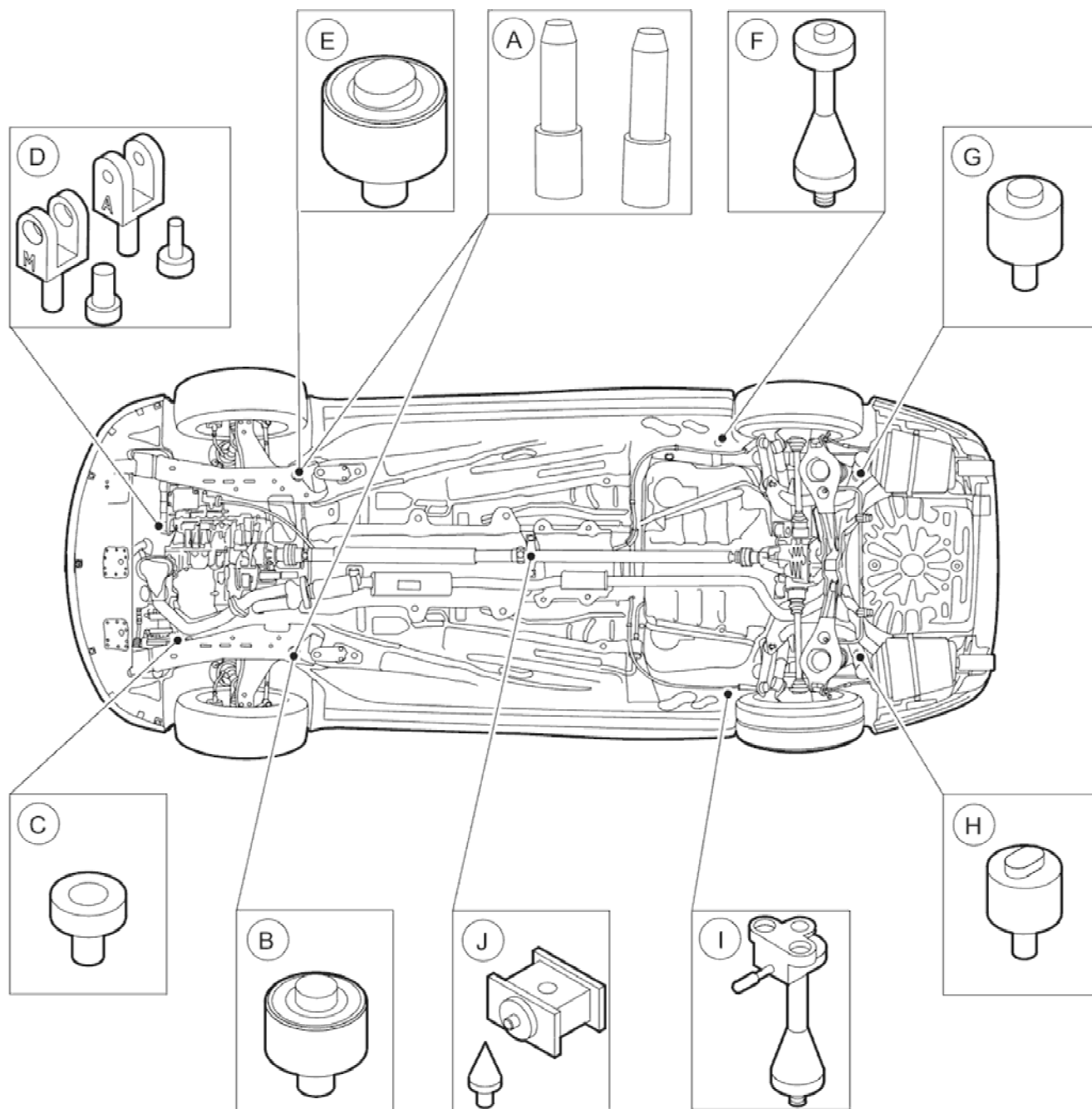
Make sure the inner part of the measuring bar is fully retracted and the lock fully tightened before any measurements are taken.

Take the X measurement.

1. Take the X measurement using the middle part of the measuring bar.

## 2004 X-TYPE - Uni-Body, Subframe and Mounting System - 502-00

2. If the middle part of the measuring bar locks into its fully extended position, continue taking the X measurement on the inner part of the measuring bar.



VUJ0002765

### 7. NOTE:

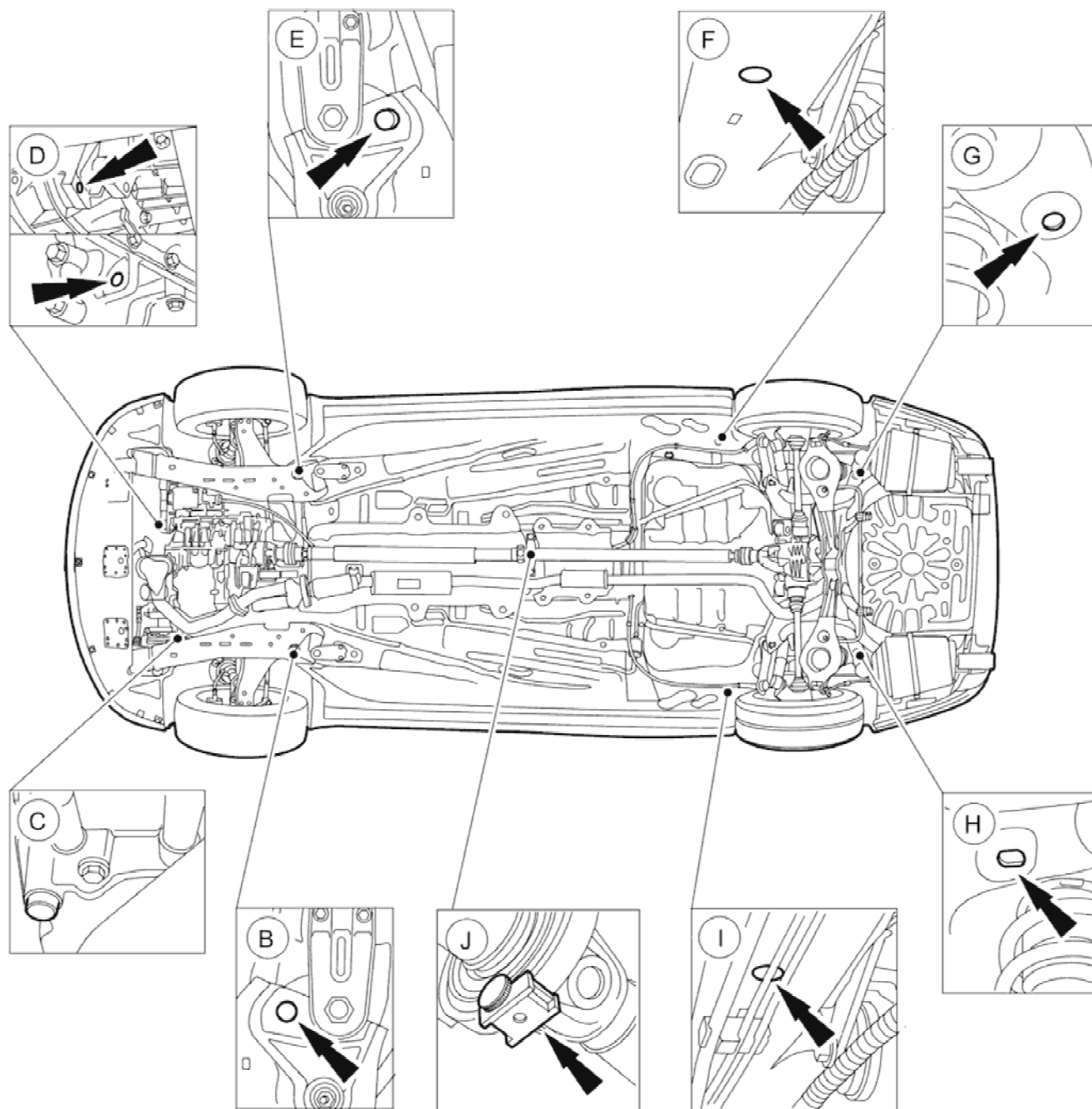
The smallest diameter pin and bracket (D) is fitted to vehicles with automatic transmission. The bracket is marked A. The larger diameter pin and bracket (D) is fitted to vehicles with manual transmission. The bracket is marked M.

### NOTE:

Clean all the special tool mounting surfaces before installing the special tools.

# 2004 X-TYPE - Uni-Body, Subframe and Mounting System - 502-00

Install the special tools to the underside of the vehicle.



VUJ0004499

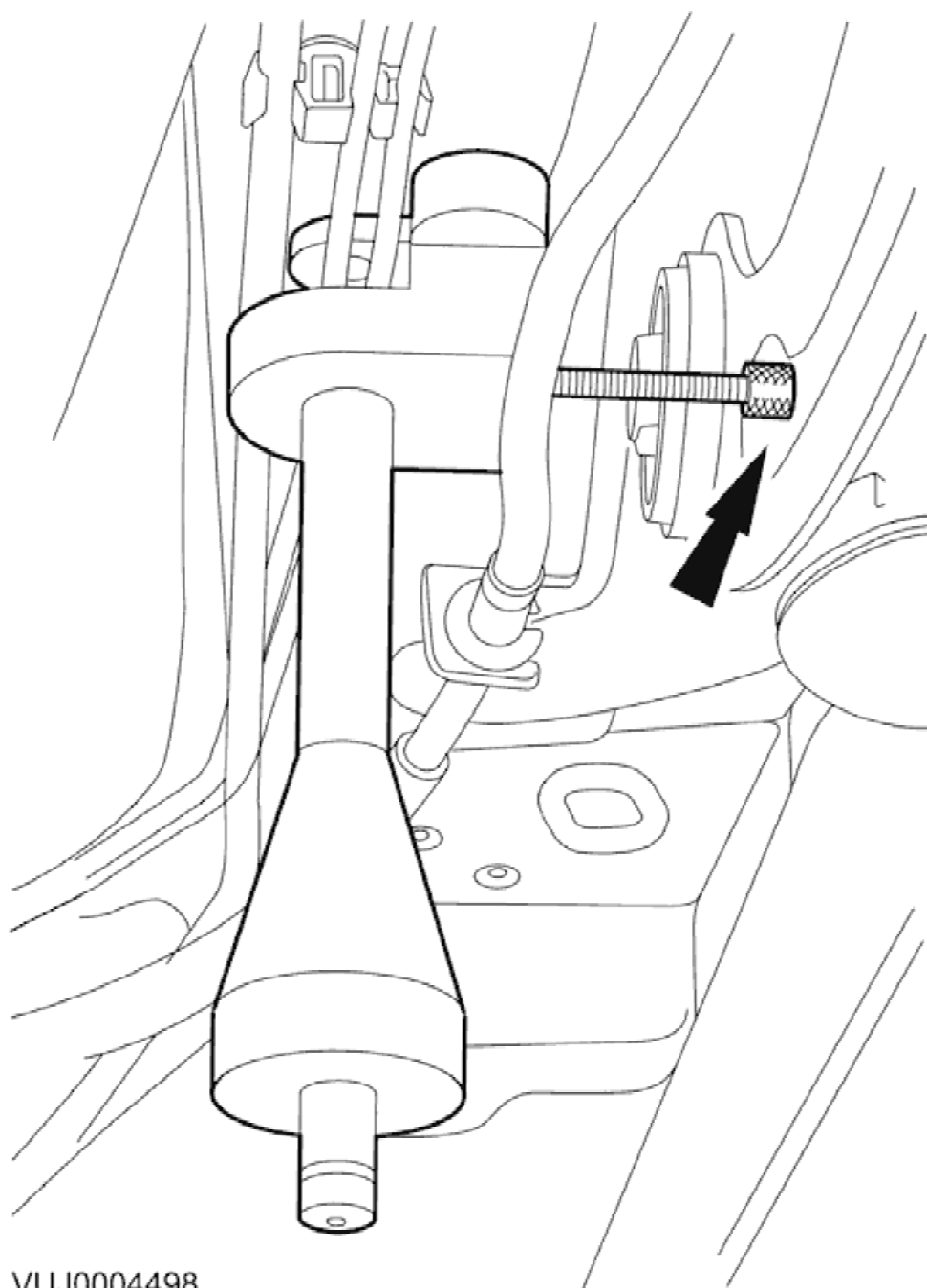
## 8. NOTE:

The smallest diameter pin and bracket (D) is fitted to vehicles with automatic transmission. The larger diameter pin and bracket (D) is fitted to vehicles with manual transmission.

## NOTE:

Clean all the special tool mounting surfaces before installing the special tools.

Install the special tools to the underside of the vehicle.



VUJ0004498

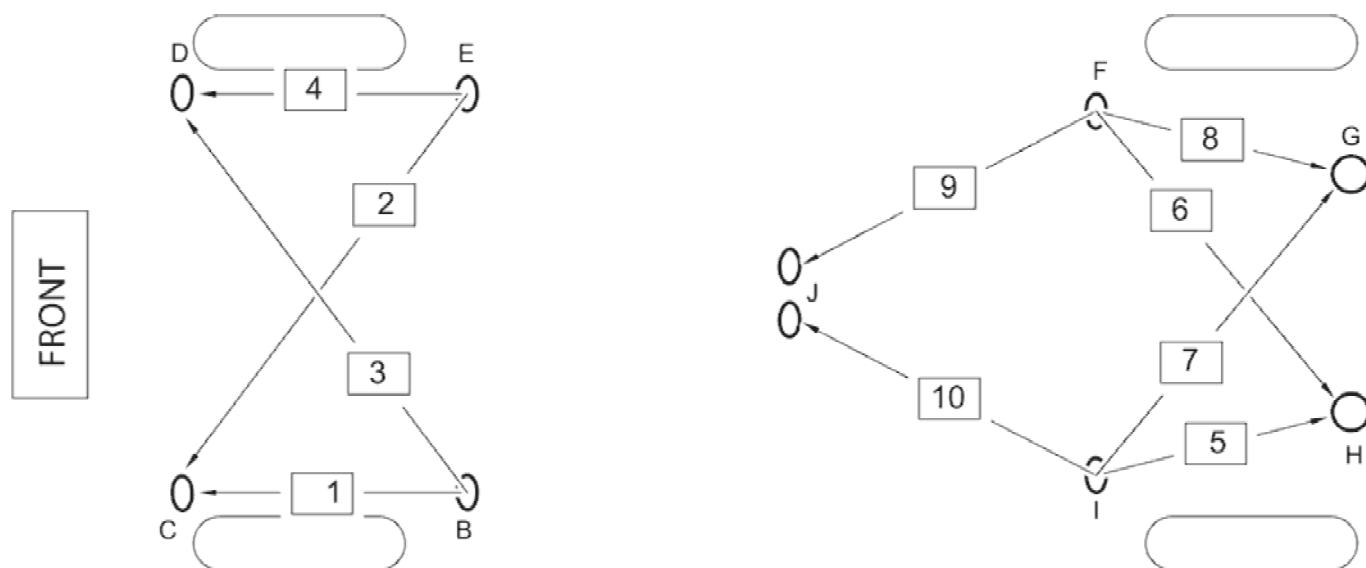


9. **CAUTION:**

**When installing or removing the special tool make sure the brake pipes are not damaged or detached from the retaining clips.**

Adjust the steady screw to the front of the wheel knuckle to stabilize the special tool to the underside of the vehicle.

# 2004 X-TYPE - Uni-Body, Subframe and Mounting System - 502-00



VUJ0002766

10. Underbody dimension tolerances are +/- 2 mm (0.08 inch).

## Underbody Dimensions

X-Dimension	Millimeter	Inch
1-All vehicles	674.00	26.28
2-All vehicles	977.00	38.10
3-Manual transmission	877.00	34.20
4-Manual transmission	708.00	27.61
3-Automatic transmission	924.00	36.04
4-Automatic transmission	736.00	28.70
5-All vehicles	799.00	31.16
6-All vehicles	1258.00	49.06
7-All vehicles	1258.00	49.06
8-All vehicles	799.00	31.16
9-All vehicles	957.00	37.32
10-All vehicles	997.00	38.88

## Underbody Measurements

## 2004 X-TYPE - Uni-Body, Subframe and Mounting System - 502-00

<b>Measurement number</b>	<b>Z-Measuring height</b>	<b>From point</b>	<b>To point</b>
1-All vehicles	117mm	B	C
2-All vehicles	117mm	E	C
3-Manual transmission	126mm	B	D
4-Manual transmission	126mm	E	D
3-Automatic transmission	126mm	B	D
4-Automatic transmission	126mm	E	D
5-All vehicles	314mm	I	H
6-All vehicles	314mm	F	H
7-All vehicles	314mm	I	G
8-All vehicles	314mm	F	G
9-All vehicles	122mm	F	J
10-All vehicles	122mm	I	J