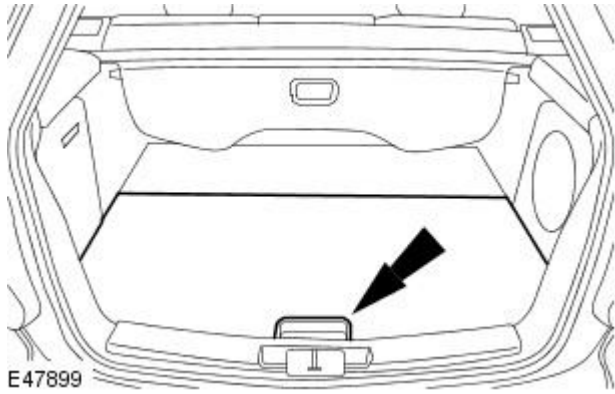


# Parking Aid - Rear Parking Aid SpeakerWagon, VIN Range: D86655->E43419

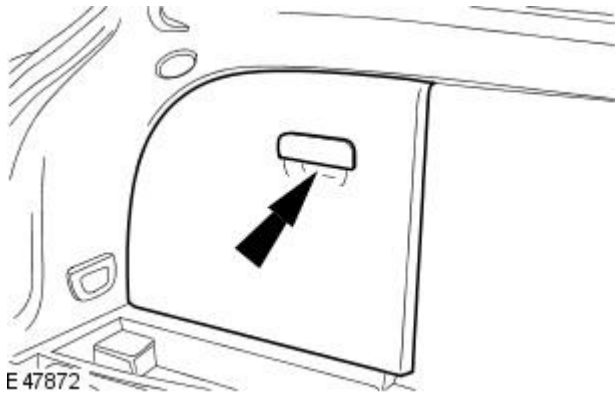
Removal and Installation

## Removal

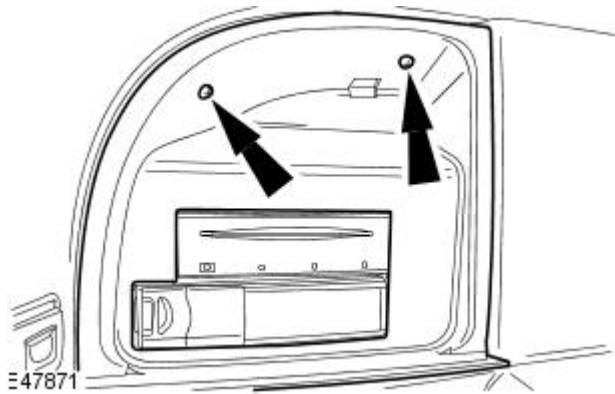
1. Raise the loadspace floor covering.



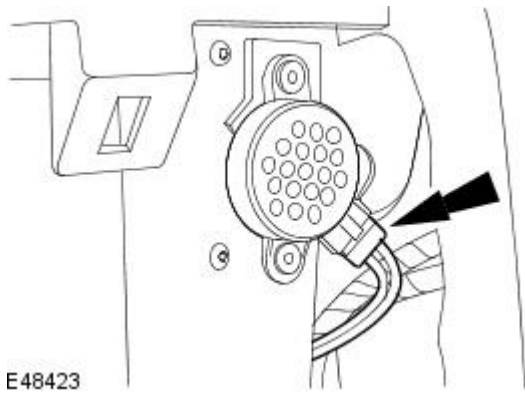
2. Remove the loadspace storage compartment trim panel.



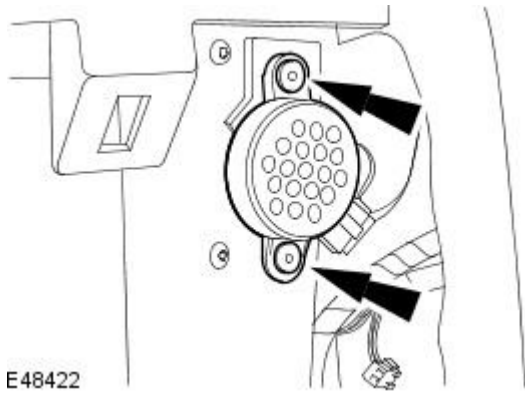
3. Remove the loadspace storage compartment.



4. Disconnect the rear parking aid speaker electrical connector.



5. Remove the rear parking aid speaker.



E48422

## Installation

1. To install, reverse the removal procedure.

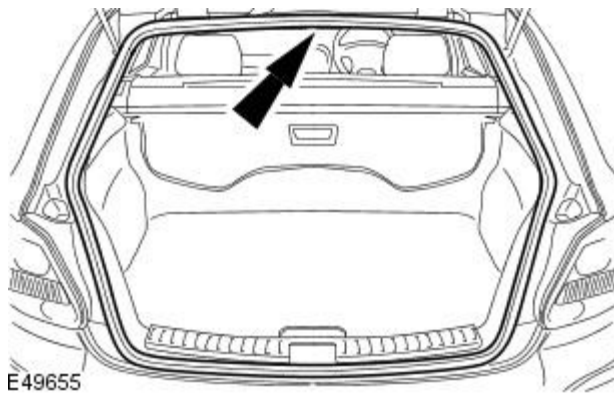
# Parking Aid - Rear Parking Aid SpeakerWagon, VIN Range: E43420->V99999

Removal and Installation

## Removal

1. NOTE: The liftgate weatherstrip must be replaced once removed.

Remove and discard the liftgate opening weatherstrip.



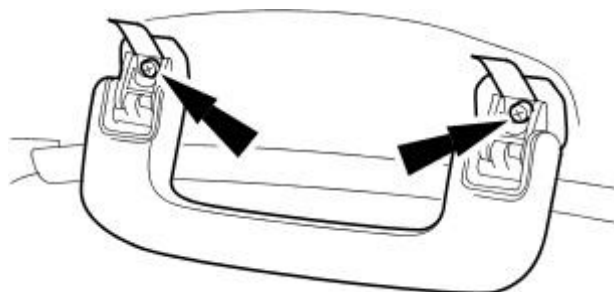
E49655

2. Remove both C-pillar trim panels.  
For additional information, refer to: [C-Pillar Trim Panel - Wagon](#) (501-05 Interior Trim and Ornamentation, Removal and Installation).

3. Remove both D-pillar trim panels.  
For additional information, refer to: [D-Pillar Trim Panel](#) (501-05 Interior Trim and Ornamentation, Removal and Installation).

4. Remove the rear grab handles.

- Reposition the screw covers.
- Remove the screws.



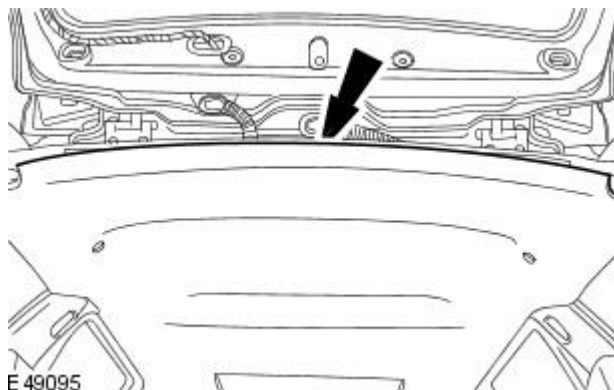
VUJ0005050

5. Remove both luggage net retaining clips.




E48245

6. Detach the headliner.

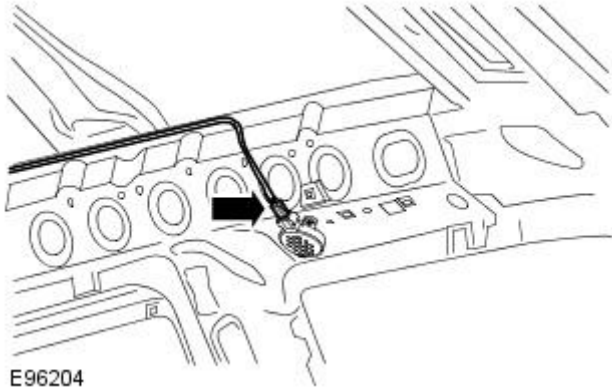


E 49095

7.  CAUTION: Make sure the headliner is not creased or folded. Failure to follow this instruction may result in damage to the vehicle.

Lower the rear of the headliner to gain access to the rear parking aid speaker.

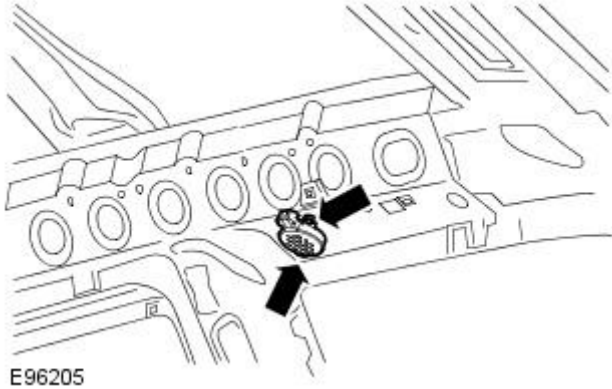
8. Disconnect rear parking aid speaker electrical connector.



E96204

9. Remove the rear parking aid speaker.

- Remove the 2 screws.



E96205

## Installation

1. To install, reverse the removal procedure.

- Install a new liftgate opening weatherstrip.