



Front Seat 76.70.01


Removal

-  **WARNING:**
AN RCM MODULE ONLY REQUIRES REPLACEMENT IF THE SYSTEM HAS INCURRED FIVE SEPARATE DEPLOYMENTS. AT NO TIME CHANGE AN RCM FOR LESS THAN FIVE SEPARATE DEPLOYMENTS.

 **WARNING:**
ALWAYS WEAR SAFETY GLASSES WHEN REPAIRING AN AIR BAG SUPPLEMENTAL RESTRAINT SYSTEM (SRS) VEHICLE AND WHEN HANDLING AN AIR BAG MODULE. FAILURE TO FOLLOW THIS INSTRUCTION MAY RESULT IN PERSONAL INJURY.


 **WARNING:**
CARRY A LIVE AIR BAG MODULE WITH THE AIR BAG AND TRIM COVER POINTED AWAY FROM YOUR BODY. THIS WILL REDUCE THE RISK OF INJURY IN THE EVENT OF AN ACCIDENTAL DEPLOYMENT. FAILURE TO FOLLOW THIS INSTRUCTION MAY RESULT IN PERSONAL INJURY.


 **WARNING:**
DO NOT SET A LIVE AIR BAG MODULE DOWN WITH THE TRIM COVER FACE DOWN. FAILURE TO FOLLOW THIS INSTRUCTION MAY RESULT IN PERSONAL INJURY.

 **WARNING:**
AFTER DEPLOYMENT, THE AIR BAG SURFACE CAN CONTAIN DEPOSITS OF SODIUM HYDROXIDE, A PRODUCT OF THE GAS GENERANT COMBUSTION THAT IS IRRITATING TO THE SKIN. WASH YOUR HANDS WITH SOAP AND WATER AFTERWARDS. FAILURE TO FOLLOW THIS INSTRUCTION MAY RESULT IN PERSONAL INJURY.

 **WARNING:**
NEVER PROBE THE CONNECTORS ON THE AIR BAG MODULE. DOING SO MAY RESULT IN AIR BAG DEPLOYMENT. FAILURE TO FOLLOW THIS INSTRUCTION MAY RESULT IN PERSONAL INJURY.

 **WARNING:**
AIR BAG MODULES WITH DISCOLORED OR DAMAGED TRIM COVERS MUST BE REPLACED.

 **WARNING:**
VEHICLE SENSOR ORIENTATION IS CRITICAL FOR CORRECT SYSTEM OPERATION. IF A VEHICLE EQUIPPED WITH AN AIR BAG SUPPLEMENTAL RESTRAINT SYSTEM (SRS) IS INVOLVED IN A COLLISION, INSPECT THE SENSOR MOUNTING BRACKET AND WIRING PIGTAIL FOR DEFORMATION. IF DAMAGED, INSTALL A NEW SENSOR WHETHER OR NOT THE AIR BAG IS DEPLOYED. IF THE BODY WORK IS DAMAGED THIS WILL HAVE TO BE ADDRESSED.

 **WARNING:**
TO AVOID ACCIDENTAL DEPLOYMENT AND POSSIBLE PERSONAL INJURY, THE BACKUP POWER SUPPLY MUST BE DEPLETED BEFORE REPAIRING OR REPLACING ANY AIR BAG SUPPLEMENTAL RESTRAINT SYSTEM (SRS) COMPONENTS. TO DEplete THE BACKUP POWER SUPPLY ENERGY, DISCONNECT THE BATTERY GROUND CABLE AND WAIT ONE MINUTE. FAILURE TO FOLLOW THIS INSTRUCTION MAY RESULT IN PERSONAL INJURY.

NOTE:

Repair is made by replacement only. If a part is replaced and the new part does not correct the

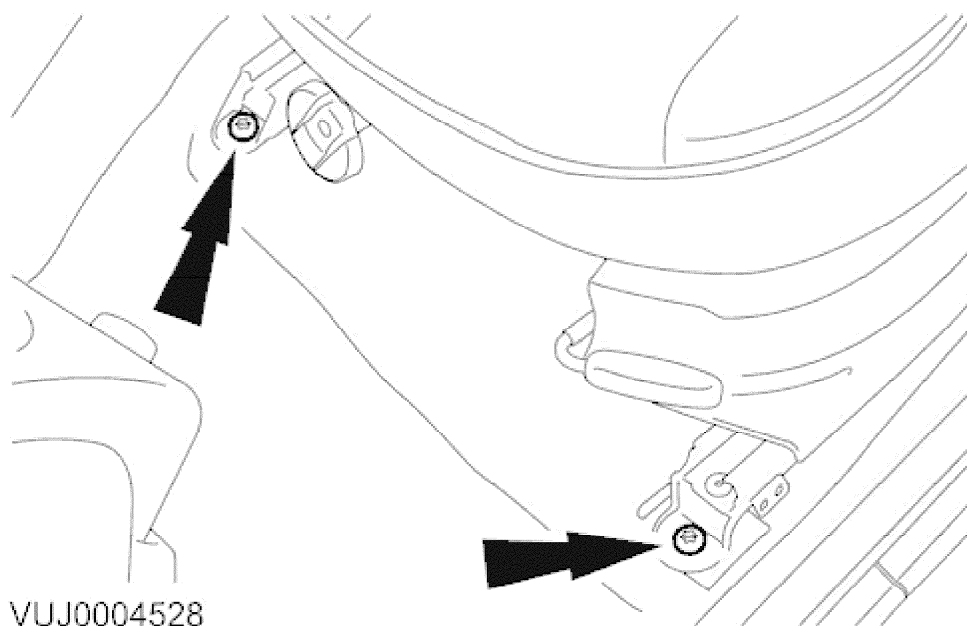
2004 X-TYPE - Seating - 501-10

condition, install the original part and carry out the diagnostic procedure again.

NOTE:

When installing a new air bag module, a prepaid return postcard is provided with the replacement air bag module. The serial number for the new part and the vehicle identification number (VIN) must be recorded and sent to Jaguar Cars Ltd.

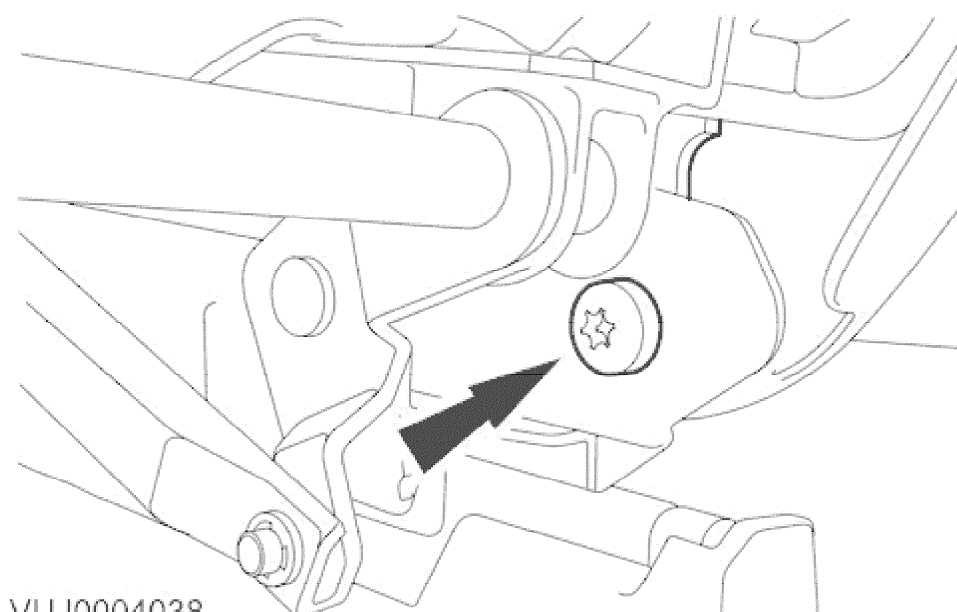
2. Move the seat fully rearwards.



VUJ0004528

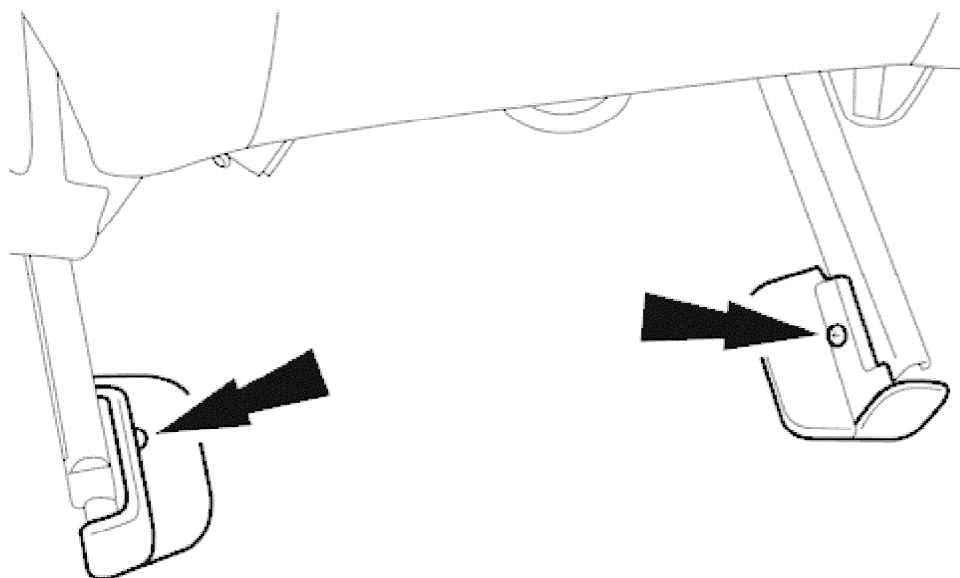
3. Remove the seat front retaining bolts.

4. Move the seat fully forwards.



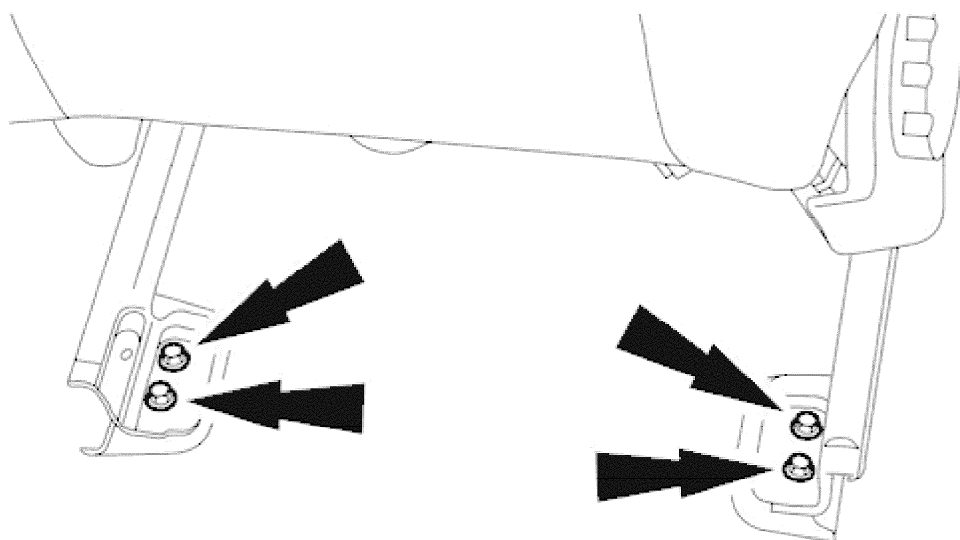
VUJ0004038

5. Detach the safety belt lower anchor from the underside of the seat.



VUJ0004529

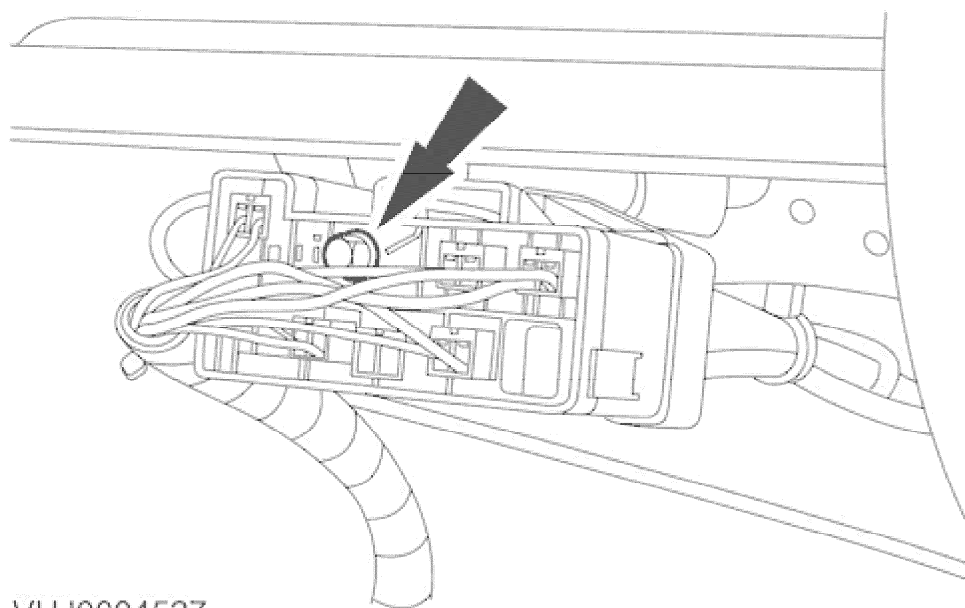
6. Remove the seat rear retaining bolt covers.



VUJ0004530

7. Remove the seat.
• Remove the retaining bolts.

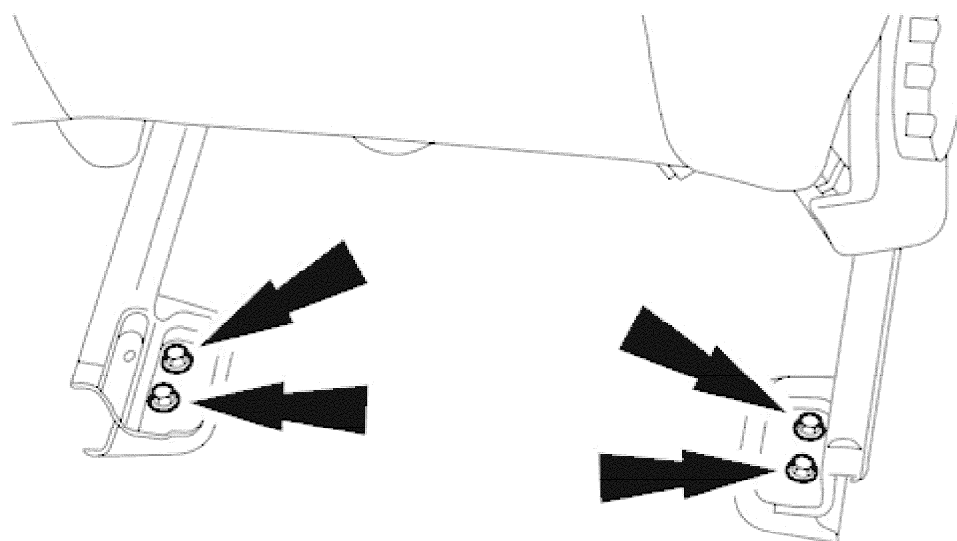
8. Disconnect the battery ground cable. For additional information, refer to <<414-01>>.



VUJ0004527

9. Disconnect the electrical connector.

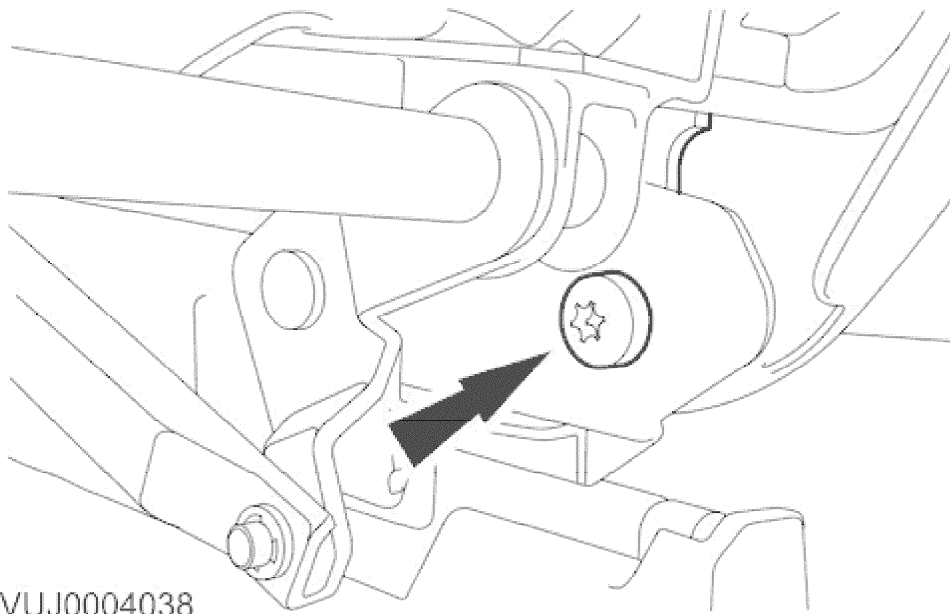
Installation



VUJ0004530

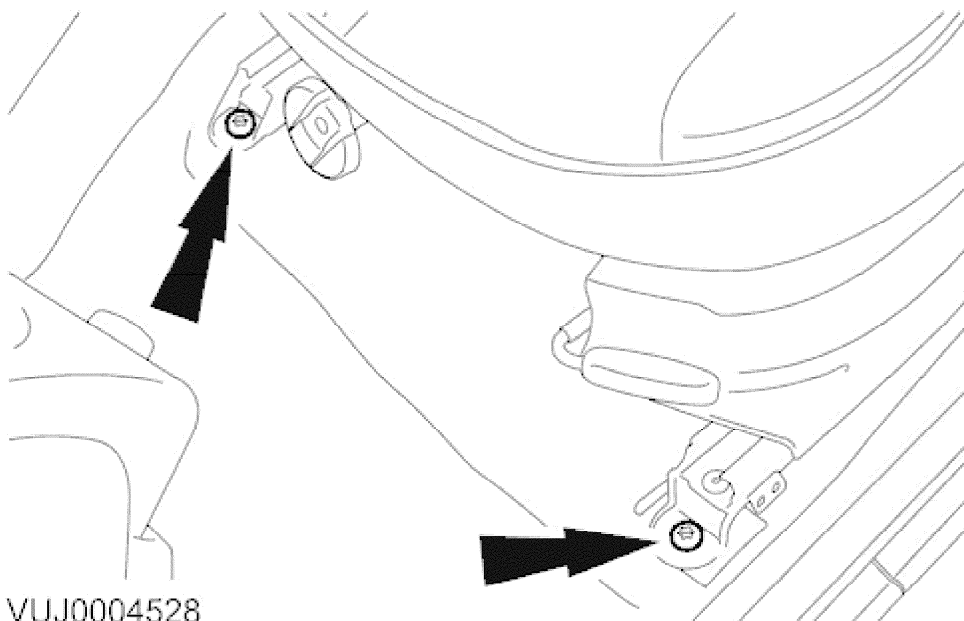
1. To install, reverse the removal procedure.
• Tighten to 20 Nm.

2004 X-TYPE - Seating - 501-10



VUJ0004038

2. Tighten to 55 Nm.



VUJ0004528

3. Tighten to 20 Nm.