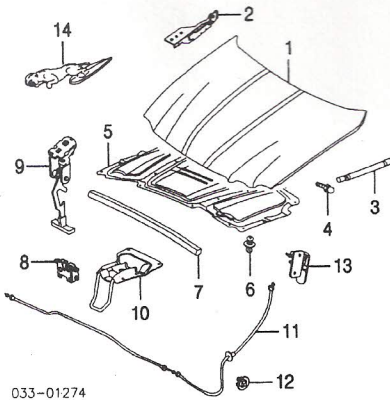


# JAGUAR X-TYPE 2002-05

## HOOD Cont'd



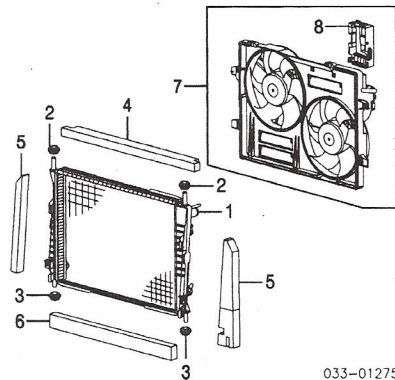
033-01274

#w/Hood & Cowl Plenum Panel Removed			
3 Strut, Support	R/L C2S001927	#.2	58.25
#w/Hinge Removed Deduct .1			
4 Pin, Strut	R/L XR8002402		.85
5 Insulator, Hood	C2S030508	.4	104.20
To VIN D42149	C2S031395	.4	114.75
From VIN D42150			.50
6 Retainer, Insulator (22)	XR8007575		.2
7 Seal, Front Hood	C2S008282		13.75
Bumper, Hood	R/L C2S020346		7.05
8 Latch, Primary Hood	R/L C2S009307		17.05
9 Latch, Secondary Hood	C2S017227		14.45
10 Striker, Hood Latch	C2S032219	.2	21.60
To VIN D57265	C2S032219	.2	21.60
From VIN D57266	C2S019101	.8	15.15
11 Cable, Hood Release	XR8002373		1.45
12 Retainer, Release Cable	C2S003412	.2	19.65
13 Handle, Hood Release	C2S026934	.2	170.85
14 Ornament, Hood			
Nozzle, Washer-See Windshield Section			

## COOLING

Use Procedure Explanations 5 and 28 with the following text.

R&I Radiator.....	#2.8
#Includes R&I/R&R Radiator Fan/Motor Assy	

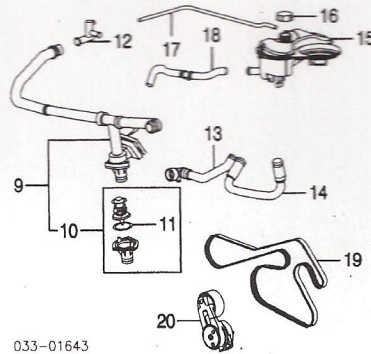


033-01275

1 Radiator	C2S042756	#2.8	225.00
#Includes R&I/R&R Radiator Fan/Motor Assy			
2 Cushion, Upper Mtg	R/L C2S002685		3.80
3 Cushion, Lower Mtg	R/L C2S004405		9.00
4 Seal, Upper Radiator	C2S020552		23.60
5 Seal, Side Radiator	R/L C2S017719-7		17.75
6 Seal, Lower Radiator	C2S005313		25.30
7 Fan & Motor Assy, Radiator	C2S027035	2.6	319.00
8 Module, Speed Control	C2S024957	.8	142.50
#Included w/Radiator Fan & Motor Assy			

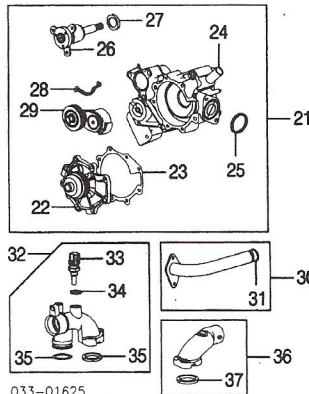
Illustration Located in Next Column

9 Hose Assy, Upper Radiator	C2S025746	2.4	96.35
10 Thermostat Assy (a)	C2S011278	2.5	34.00
11 Seal, Thermostat (a) (b)	NCA2269CA		.85
(a) Included w/Upper Radiator Hose Assy			
(b) Included w/Thermostat Assy			
12 Fitting, Radiator Hose	C2S016877	1.7	8.85
13 Hose, Lower Radiator	C2S005369	#1.6	37.20
14 Hose, By-Pass	C2S030225	#1.6	23.60



033-01643

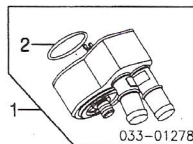
#R&R Both 2.6			
15 Reservoir, Coolant	C2S018320	.3	121.20
16 Cap, Reservoir	MJA4440BA		15.10
17 Pipe, Vent	C2S002733	.6	11.40
To VIN C15315	C2S023486	.6	10.15
From VIN C15316			
18 Hose, Return Reservoir	C2S005373	.8	34.15
To VIN C15315	C2S023485	.8	16.55
From VIN C15316 to C96814	C2S023485	.8	16.55
From VIN C96815	C2S024900	.7	47.35
19 Belt, Drive (d)			
(d) Order by Application			
20 Tensioner, Drive Belt	C2S011662	#3	48.50
#w/Drive Belt Removed			



033-01625

21 Pump Assy, Water	C2S029866	m	4.6	220.00
22 Pump, Water (c)	C2S018139	m	2.6	76.75
23 Gasket, Water Pump (c)	C2S013730			11.40
24 Housing, Water Pump (c)	C2S037799	m	4.6	0.00
25 Gasket, Inlet (c)	XR8005431	m		1.65
26 Bearing, Water Pump (c)	C2S037797	m		0.00
27 Seal, Bearing (c)	C2S037798	m		2.05
28 Gasket, Bearing (c)	C2S005111	m		14.35
29 Tensioner, Belt (c)	C2S005114	.6		56.50
(c) Included w/Water Pump Assy				
30 Pipe Assy, Water	C2S018895	1.5	14.65	
31 Seal, Pipe (e)	C2S005121			03.00
(e) Included w/Water Pipe Assy				
32 Pipe Assy, By-Pass	XR8019856	1.7	61.85	
33 Sensor, Temp (f)	LNA1600AA	.5	22.65	
34 Seal, Sensor (f)	XR8019872			1.45
35 Seal, Pipe (f)				
No. 1	XR8005356			.40
No. 2	XR8005353			4.00
(f) Included w/By-Pass Pipe Assy				
36 Pipe Assy, Inlet	C2S011661	1.3	08.35	
37 Seal, Inlet O-Ring (g)	XR8005431			1.65
(g) Included w/Inlet Pipe Assy				

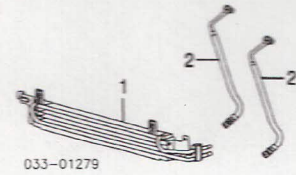
## ENGINE OIL COOLER



033-01278

1 Cooler Assy, Engine Oil	C2S018896	m	2.0	100.10
2 Seal, Eng Oil Cooler	JLM021003	m		16.25
#Included w/Engine Oil Cooler Assy				

## TRANS OIL COOLER



033-01279

1 Cooler, Trans Oil	C2S033681	m	2.4	389.00
2 Hose, Trans Oil Cooler	R/L C2S002724	m	#1.6	32.45
#R&R Complete				

## A/C REFRIGERANT CAPACITIES

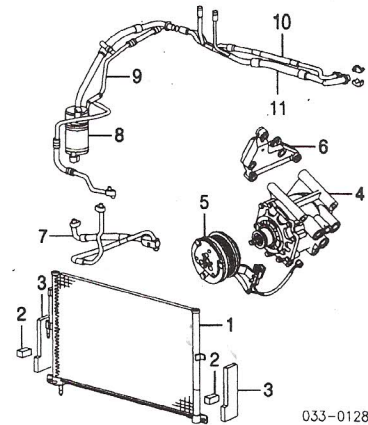
A/C R-134a Refrigerant Capacity  
2002-05: 27.0-29.0 Ozs (1.7-1.8 Lbs)

## A/C /HEATER/VENTILATION

Use Procedure Explanation 6 with the following text.

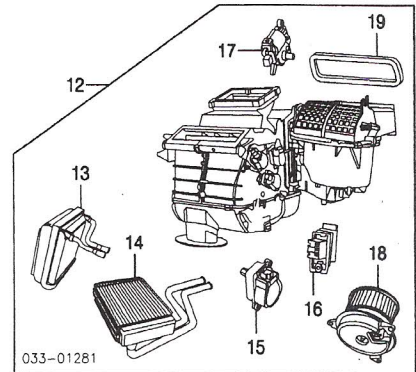
R&I Condenser.....	#7
#w/Bumper Assy Removed	
Evacuate & Recharge System.....	m 1.4
Recover Refrigerant.....	m .3

NOTE: R&R Does Not include recover, evacuate and recharge system.



033-01280

1 Condenser	C2S005302	m	#7	372.00
#w/Bumper Assy Removed				
2 Seal, Lower Condenser				
To VIN C02492	R/L C2S010456			7.00
From VIN C02493	R/L C2S017586			6.45
3 Seal, Side Condenser	R/L C2S017587-8			15.75
4 Compressor, A/C	C2S034397	m	#1.8	441.00
5 Clutch, Compressor	C2S005982	m	#1.8	530.00
#R&R Complete				
6 Bracket, Compressor	C2S005364			26.45
7 Hose, Compressor Belt, Drive-See Cooling Section	C2S025547	m	.8	88.25
8 Receiver/Drier	C2S006013	m	.7	132.25
9 Tube, A/C	C2S040401	m	.5	97.00
10 Tube, Discharge	C2S017245	m	.6	53.00
11 Hose, Suction	C2S017247	m	.6	61.75



033-01281

12 Evaporator Assy