


Glass, Frames and Mechanisms - Rear Door Fixed Window Glass

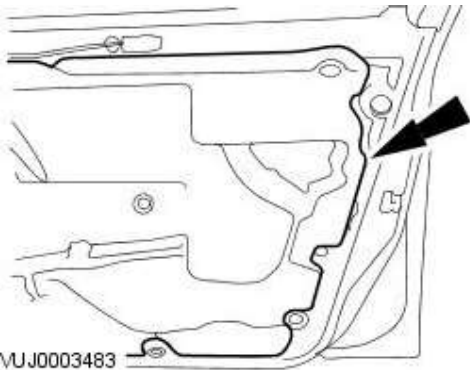
Removal and Installation

Removal

1. Remove the rear door trim panel. For additional information, refer to Section [501-05 Interior Trim and Ornamentation](#).

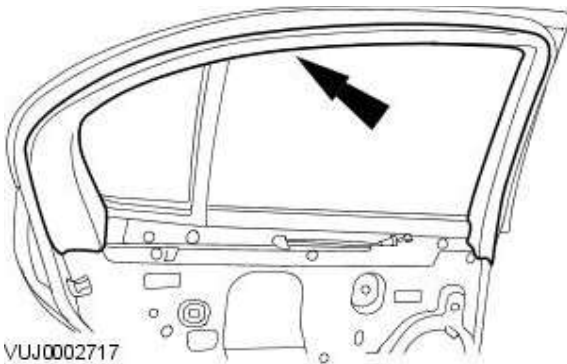
2.  **CAUTION:** Do not touch the adhesive surface as rebonding will be impaired.

Peel back the weathershield.




VUJ0003483

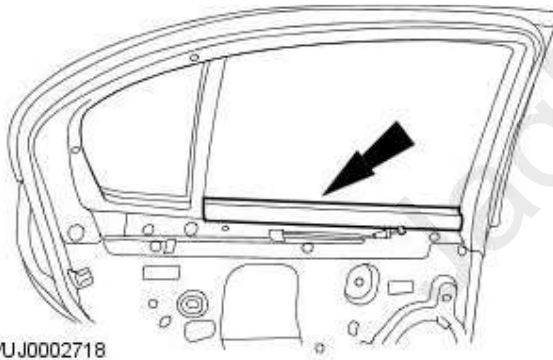
3. Detach the window glass surround trim.




VUJ0002717

4.  **CAUTION:** Do not bend or deform the interior weatherstrip.

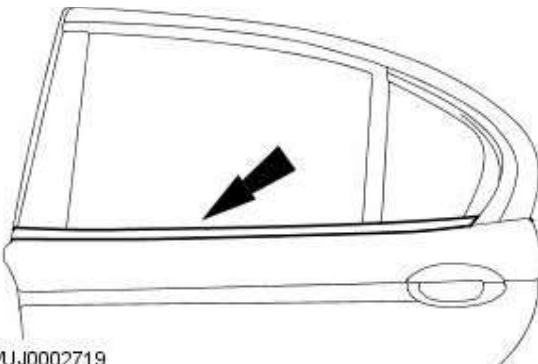
Remove the door interior weatherstrip.



VUJ0002718

5.  **CAUTION:** Do not bend or deform the exterior weatherstrip.

Remove the door exterior weatherstrip.

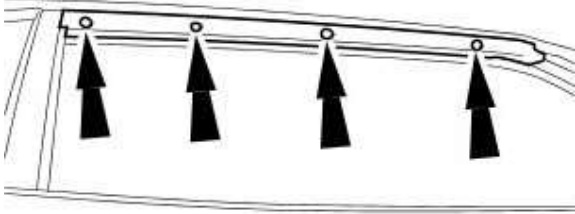


VUJ0002719

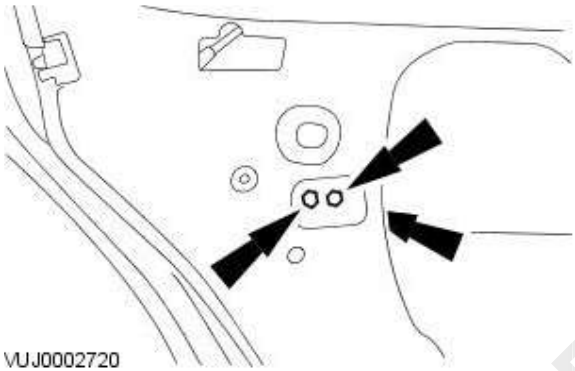
6. Detach the window glass aperture seal.



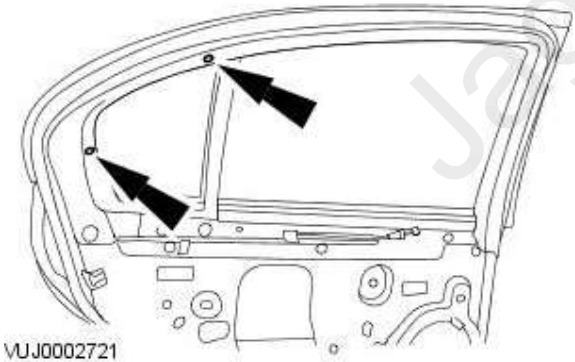
7. Remove and discard the rivets.




8. Detach the rear quarter window glass guide rail retaining bracket.

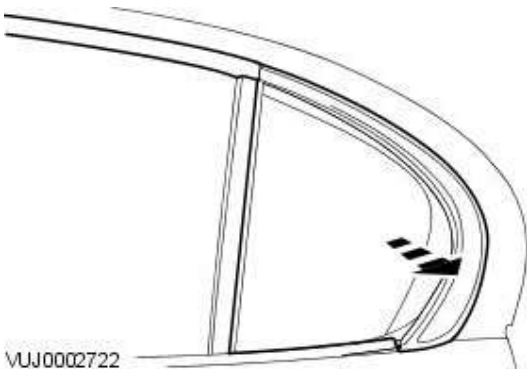


9. Remove the retaining screws.



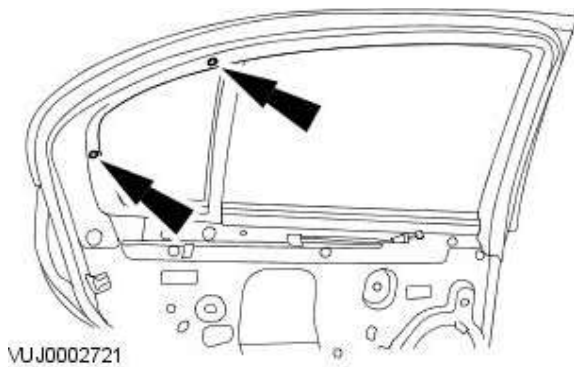
10.  CAUTION: Use care when removing the rear quarter window glass. Failure to follow these instructions may result in damage to the window glass and the exterior trim.


Remove the rear quarter window glass.



11. Remove any Butyl adhesive from around the rear quarter window glass door aperture.

Installation

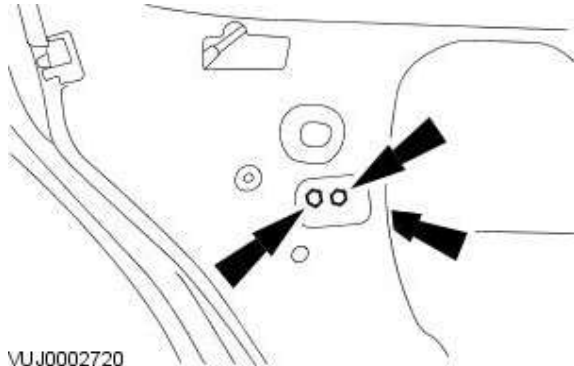


1.  **CAUTION:** Use care when installing the rear quarter window glass. Failure to follow these instructions may result in damage to the window glass and the exterior trim.

• **NOTE:** When refitting the original rear quarter glass, apply new bead of Butyl adhesive.

To install, reverse the removal procedure.

- Tighten to 7 Nm.



2. Tighten to 7 Nm.

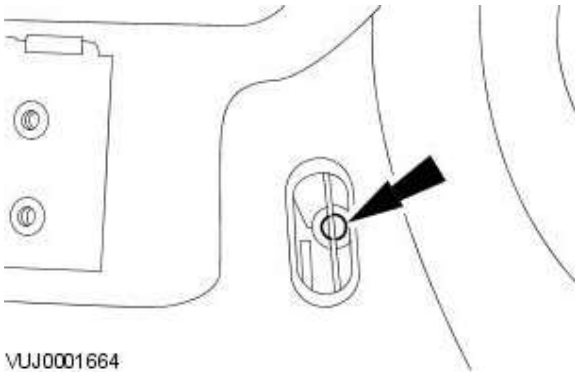
JagDocs.com

Glass, Frames and Mechanisms - Rear Door Window Glass

Removal and Installation

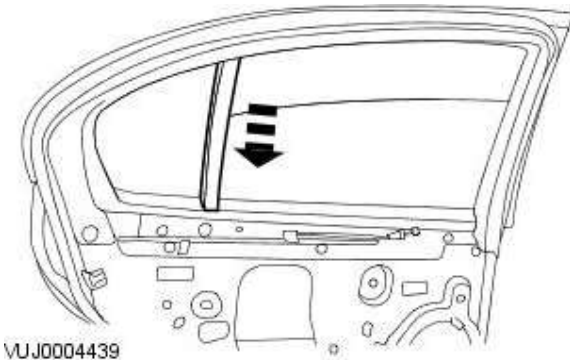
Removal

1. Remove the rear quarter window glass. For additional information, refer to [Window Glass—Rear Quarter](#).
2. Lower the door window glass until the pin is visible in the access hole.



VUJ0001664

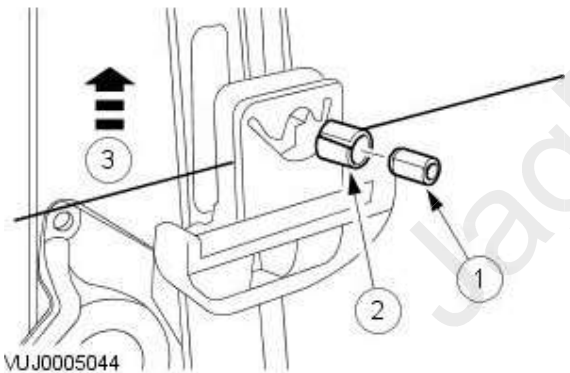
3. Reposition the rear window guide rail.



VUJ0004439

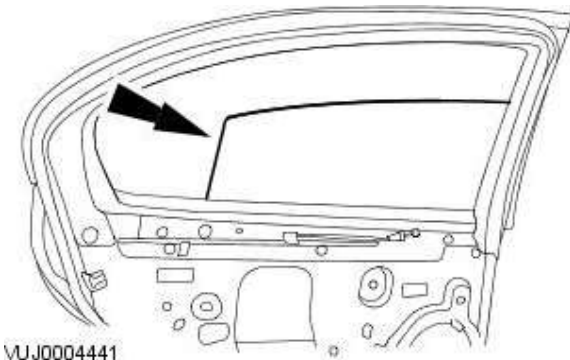
4. Detach the window glass from the regulator.

1. Remove the pin.
2. Remove the sleeve.
3. Detach the window glass from the regulator.



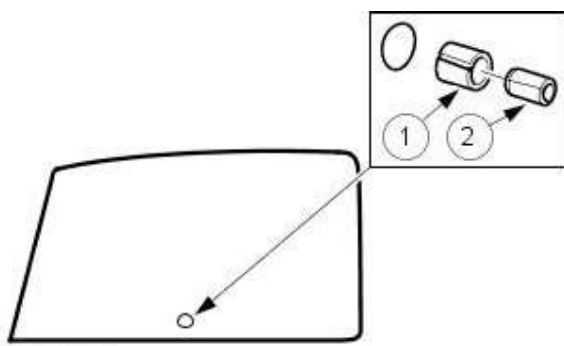
VUJ0005044

5. Remove the window glass.



VUJ0004441

Installation



VUJ0004721

1. **CAUTION:** Use care when installing the sleeve and the pin into the window glass. Failure to follow these instructions may result in damage to the window glass.

Install the pin.

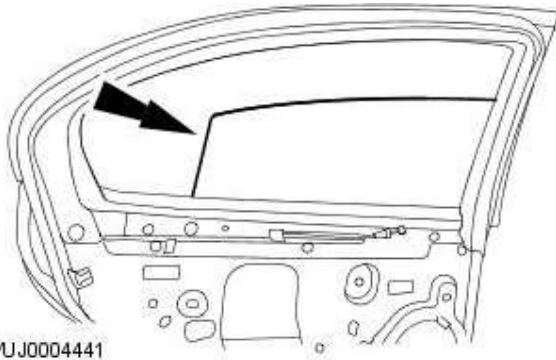
1. **CAUTION:** Make sure the sleeve is fitted central in the window glass.

1. Install the sleeve.

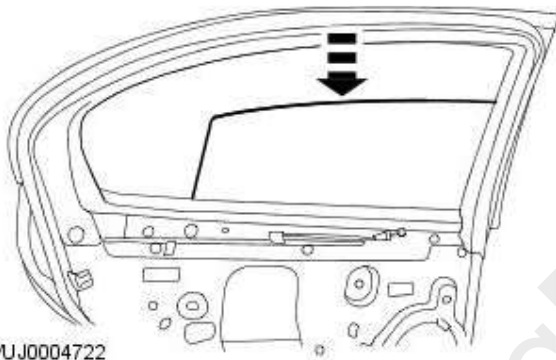
1. **CAUTION:** Make sure the sleeve stays central in the window glass.

2. Install the pin.

2. Install the window glass.



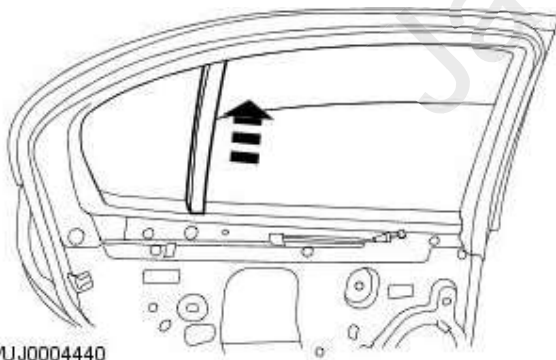
VUJ0004441



VUJ0004722

3. **NOTE:** Insert the glass into the regulator glass clamp and firmly pushed down. Check both sides of the clamp have snapped over the spacer bracket pin.

Attach the window glass into the regulator clamp.



VUJ0004440

4. Reposition the rear window guide rail.

5. Install the rear quarter window glass. For additional information, refer to [Window Glass—Rear Quarter](#).


Glass, Frames and Mechanisms - Rear Door Window Regulator

Removal and Installation

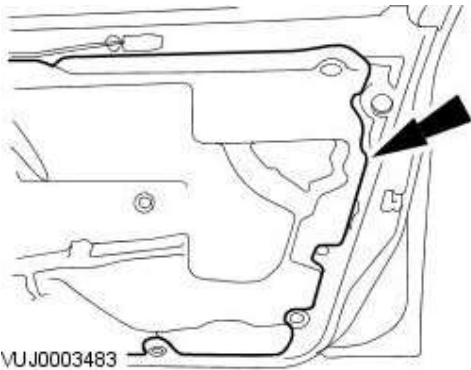
Removal

1. Remove the door trim panel.
For additional information, refer to Section [501-05 Interior Trim and Ornamentation](#).

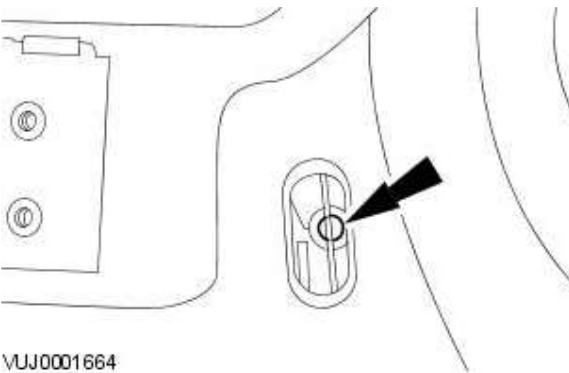
2. Remove the rear speaker.
For additional information, refer to Section [415-03 Speakers](#).

3.  **CAUTION:** Do not touch the adhesive surface as rebonding will be impaired

Peel back the weathershield.

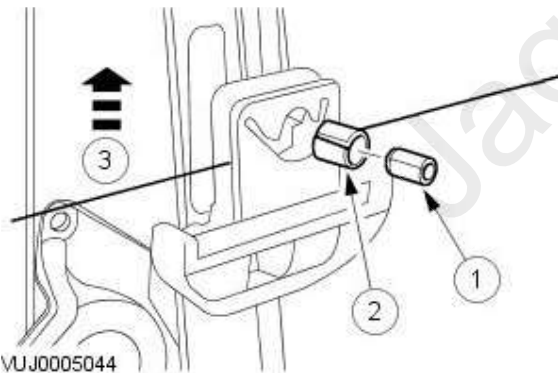


4. Lower the door window glass until the pin is visible in the access hole.



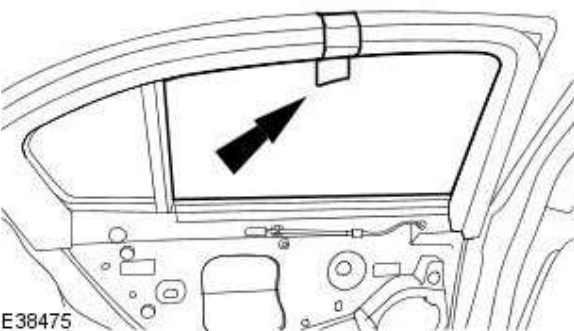
5. Detach the window glass from the regulator.

1. Remove the pin.
2. Remove the sleeve.
3. Detach the window glass from the regulator.

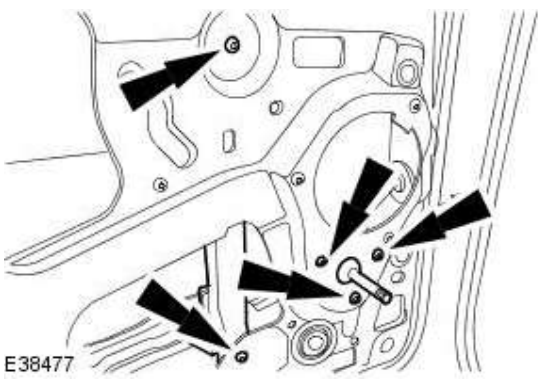


6. Secure window glass in the fully raised position.

- Apply suitable protective tape to the top of the window glass.



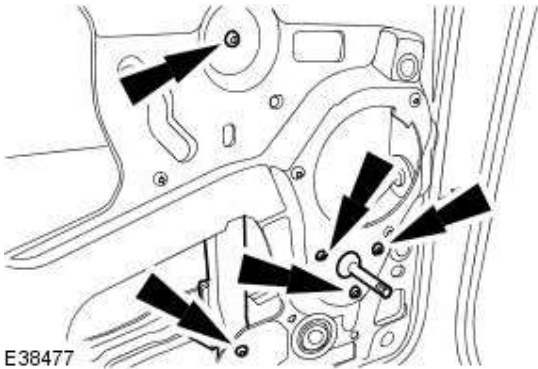
7. Remove the rear door window regulator.



Installation

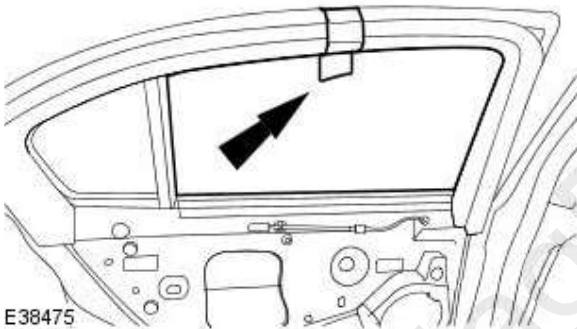
1. Install the rear door window regulator.

- Tighten to 7 Nm.




2.  CAUTION: Support the window glass prior to removal of the protective tape.

Remove the protective tape from the top of the window glass.




3.  CAUTION: Use care when installing the sleeve and pin into the window glass. Failure to follow these instructions may result in damage to the window glass.

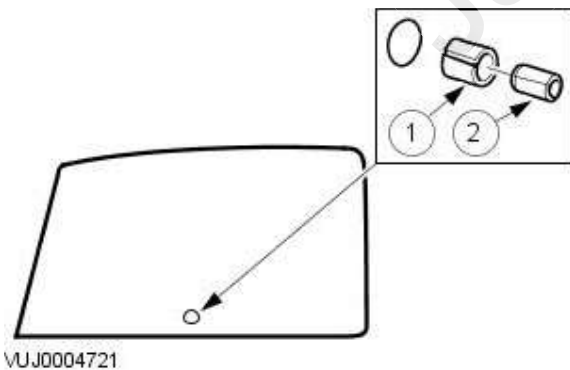
Install the pin.

3.  CAUTION: Make sure the sleeve is fitted central in the window glass.

1. Install the sleeve.

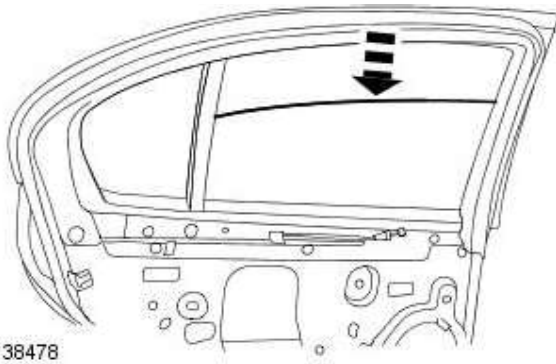
3.  CAUTION: Make sure the sleeve stays central in the window glass.

2. Install the pin.



4. NOTE: Insert the glass into the regulator glass clamp and firmly pushed down. Check both sides of the clamp have snapped over the spacer bracket pin.

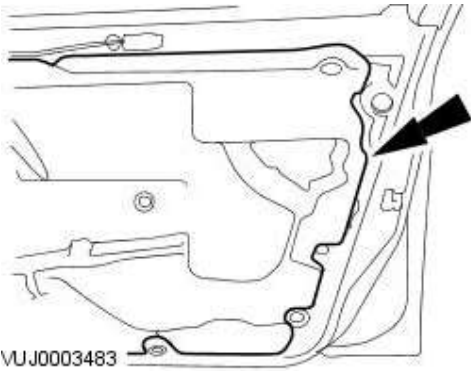
Attach the window glass into the regulator clamp.



E38478

5.  CAUTION: Do not touch the adhesive surface as rebonding will be impaired

Install the weathershield.



VUJ0003483

6. Install the rear door speaker.

For additional information, refer to Section [415-03 Speakers](#).

7. Install the door trim panel.

For additional information, refer to Section [501-05 Interior Trim and Ornamentation](#).

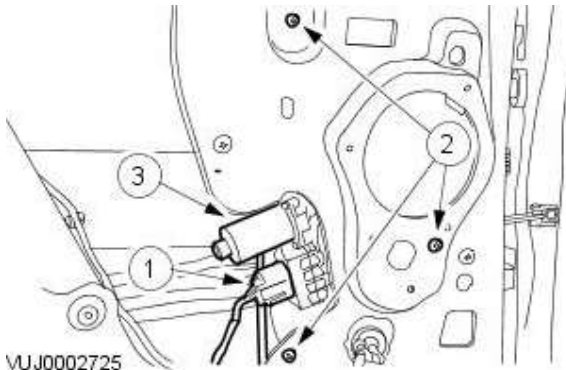
JagDocs.com

Glass, Frames and Mechanisms - Rear Door Window Regulator and Motor

Removal and Installation

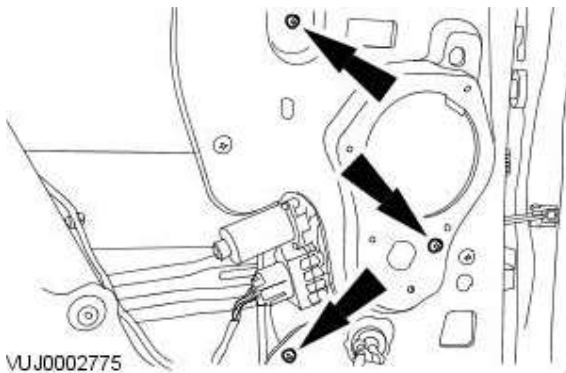
Removal

1. Remove the rear door window glass.
For additional information, refer to: [Rear Door Window Glass](#) (501-11 Glass, Frames and Mechanisms, Removal and Installation).
2. Remove the rear motor and window regulator.
 1. Disconnect the electrical connector.
 2. Remove the retaining screws.
 3. Remove the rear motor and window regulator.



Installation

1. To install, reverse the removal procedure.
2. Tighten to 7 Nm.



JagDocs.com