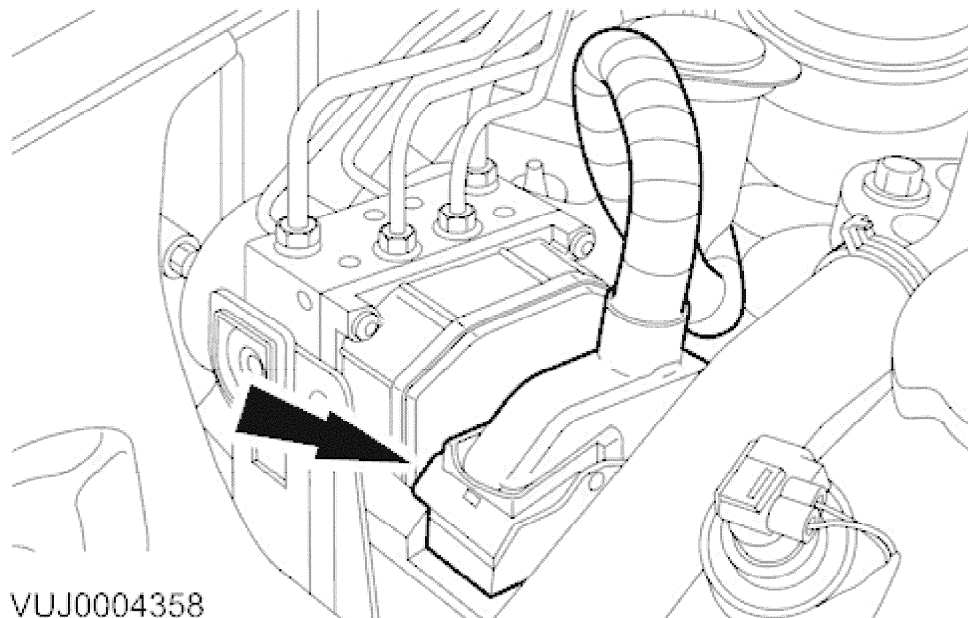


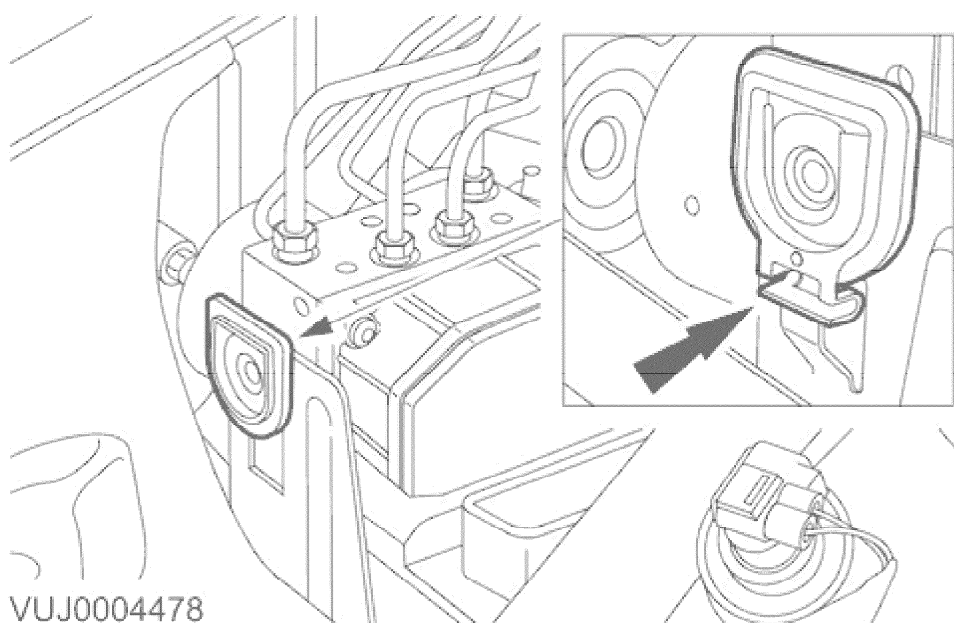
**Windshield Washer Reservoir 84.10.01**

**Removal**



VUJ0004358

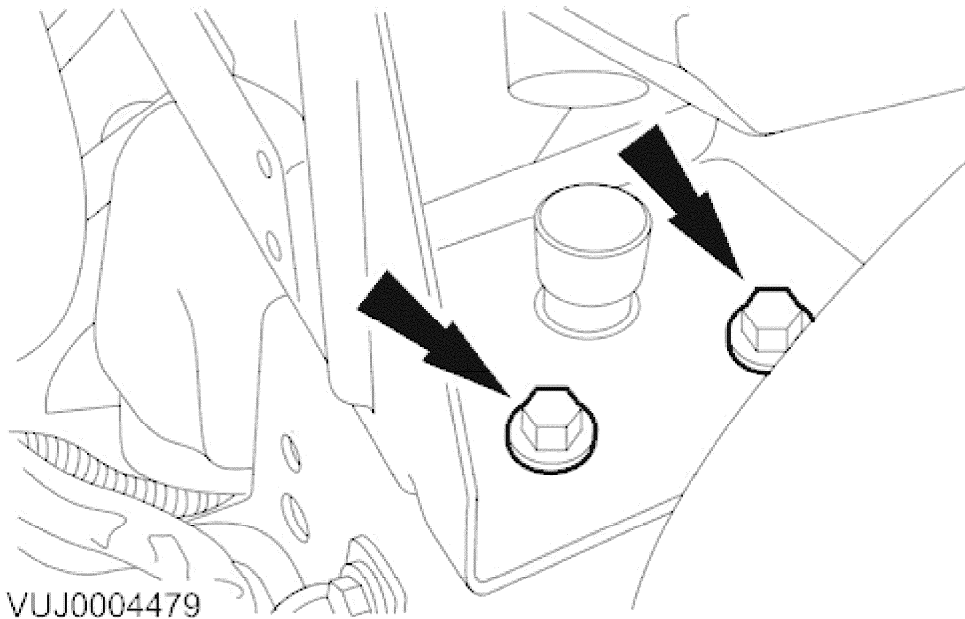
1. Disconnect the ABS electrical connector.



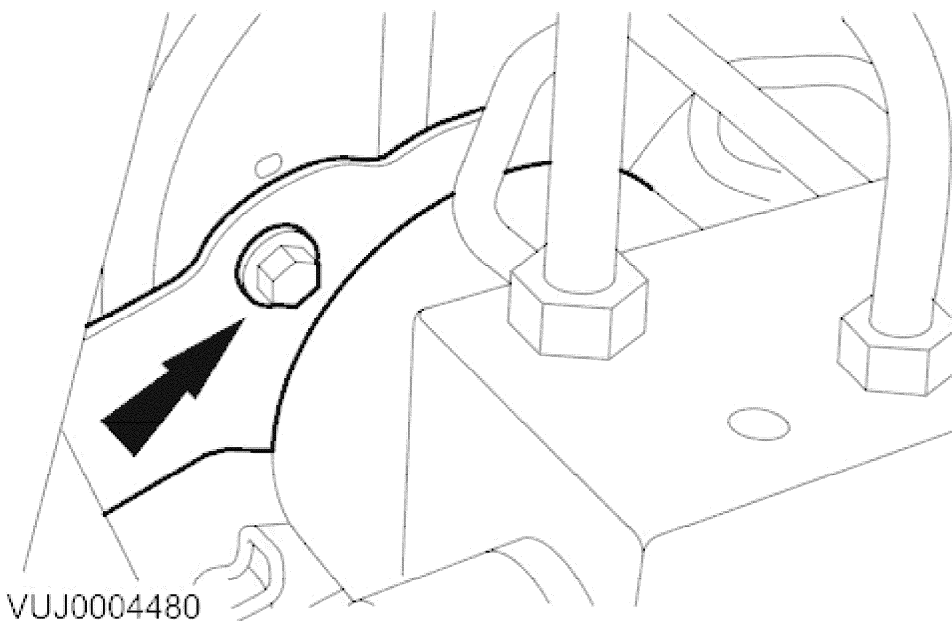
VUJ0004478

2. Detach the ABS module.

## 2003 X-TYPE - Wipers and Washers - 501-16

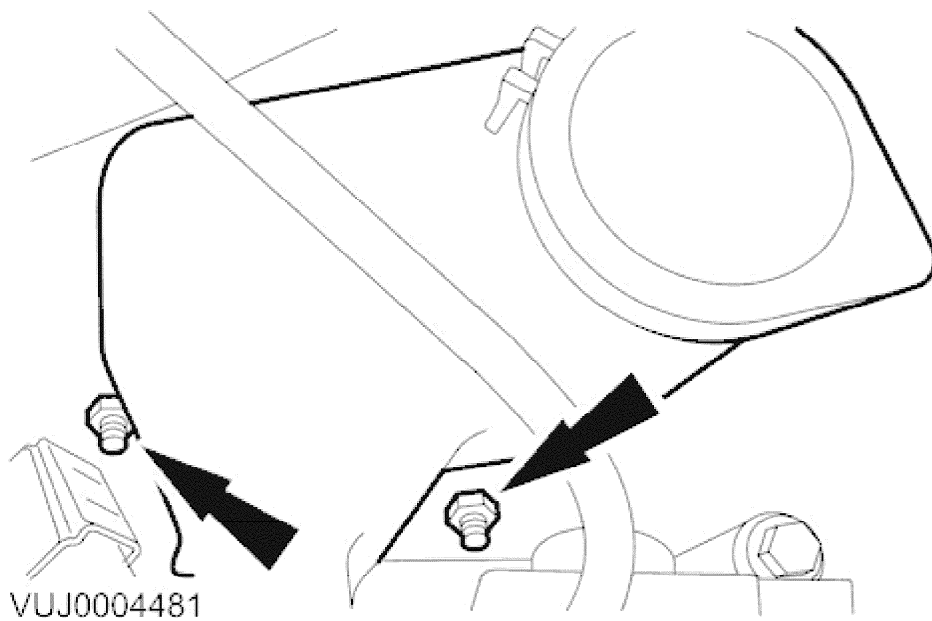


3. Remove the ABS module support bracket retaining bolts.



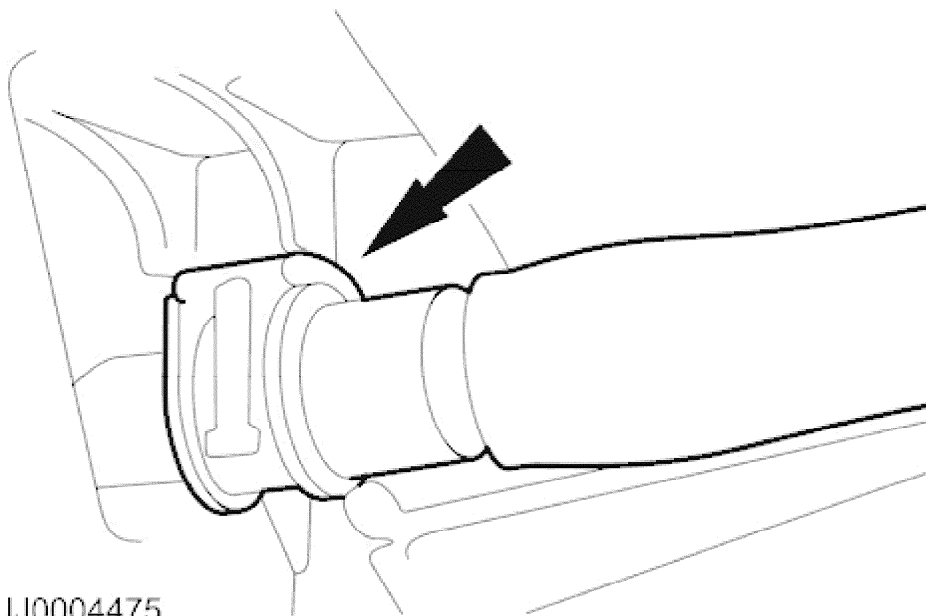
4. Remove the ABS module support bracket.

## 2003 X-TYPE - Wipers and Washers - 501-16

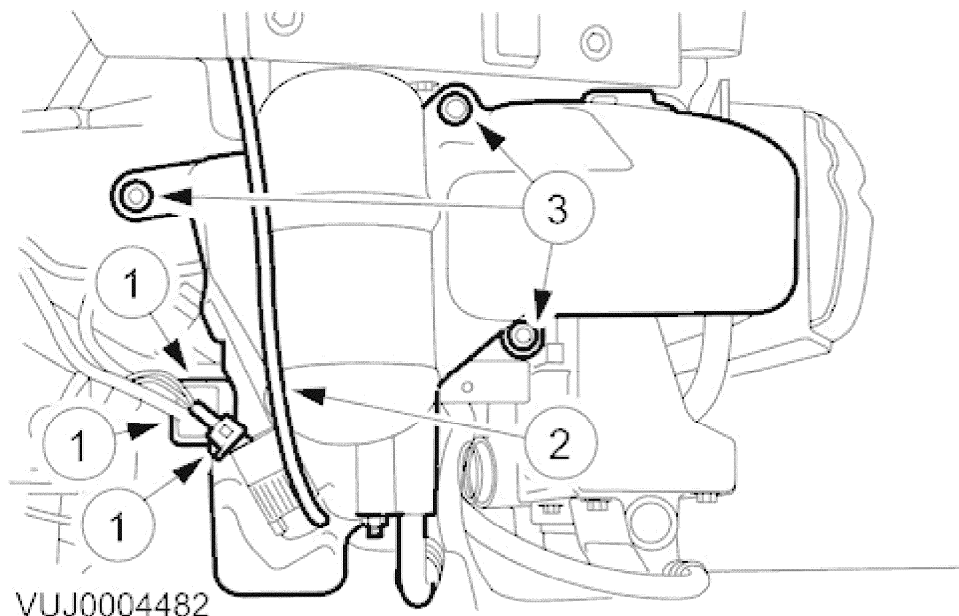


5. Remove the reservoir filler neck.

6. Remove the front bumper cover. For additional information, refer to <<501-19>>.



7. Disconnect the headlamp washer supply hose.



8. Remove the reservoir.

1. Disconnect the washer pump, headlamp washer pump and fluid level switch electrical connectors.
2. Disconnect the washer pump supply hose.
3. Remove the reservoir.

### Installation

1. To install, reverse the removal procedure.