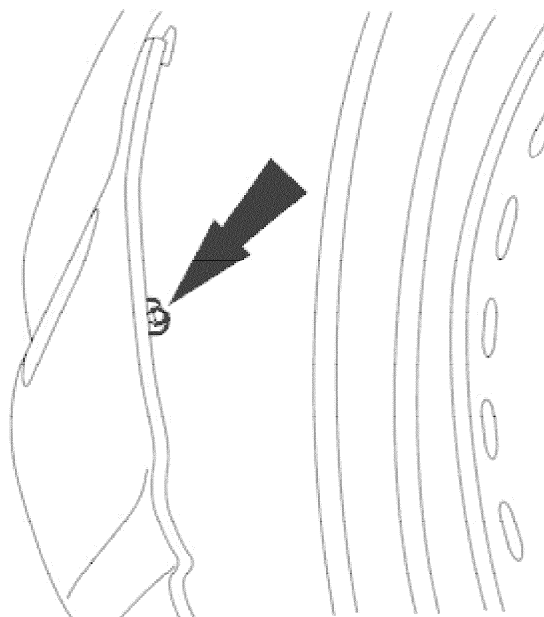


## Front Bumper Cover 76.22.78

### Removal

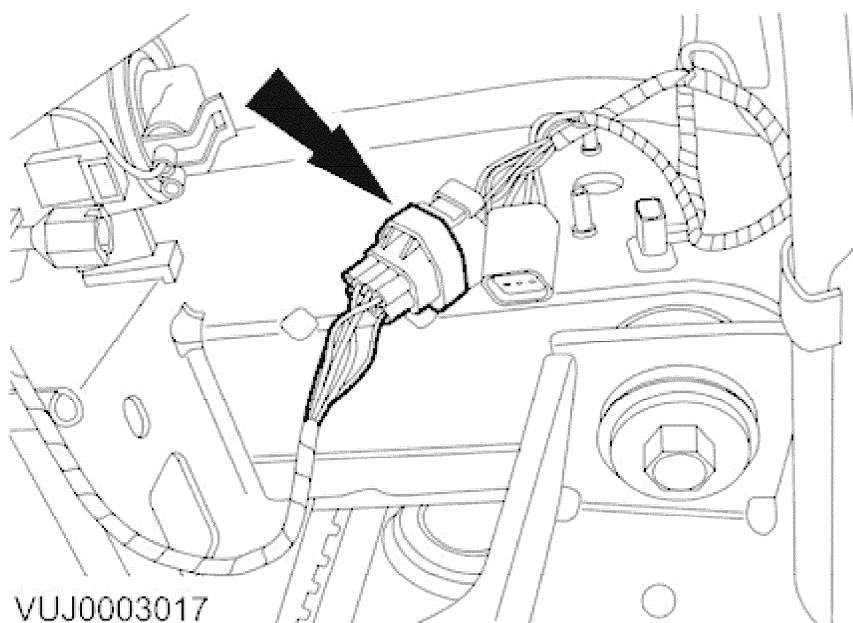
#### All Vehicles

1. Remove the radiator splash shield. For additional information, refer to <<501-02>>.



VUJ0003829

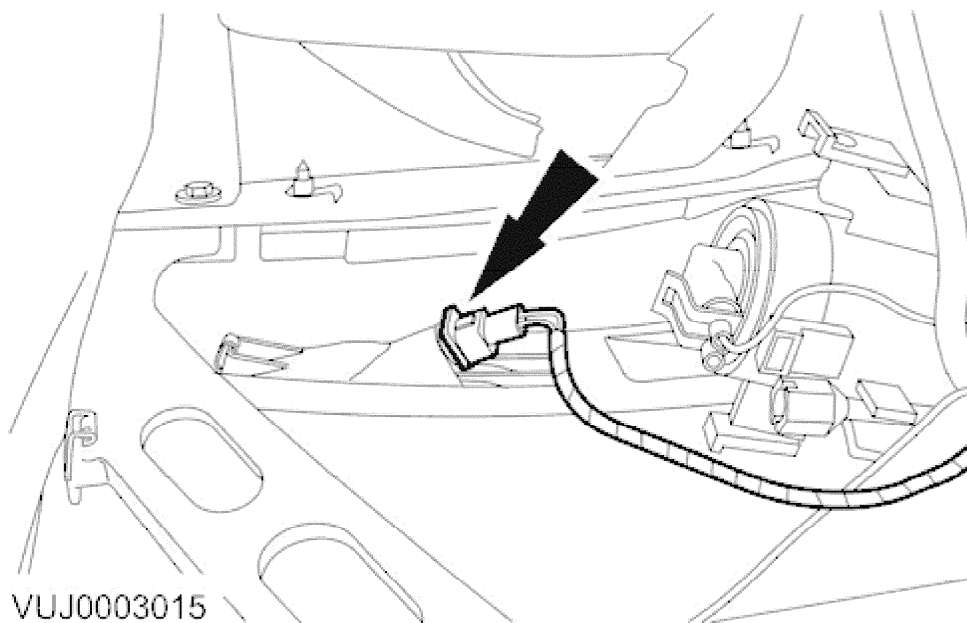
2. Detach the wheel arch liner.
  - Left-hand shown, right-hand similar.



VUJ0003017

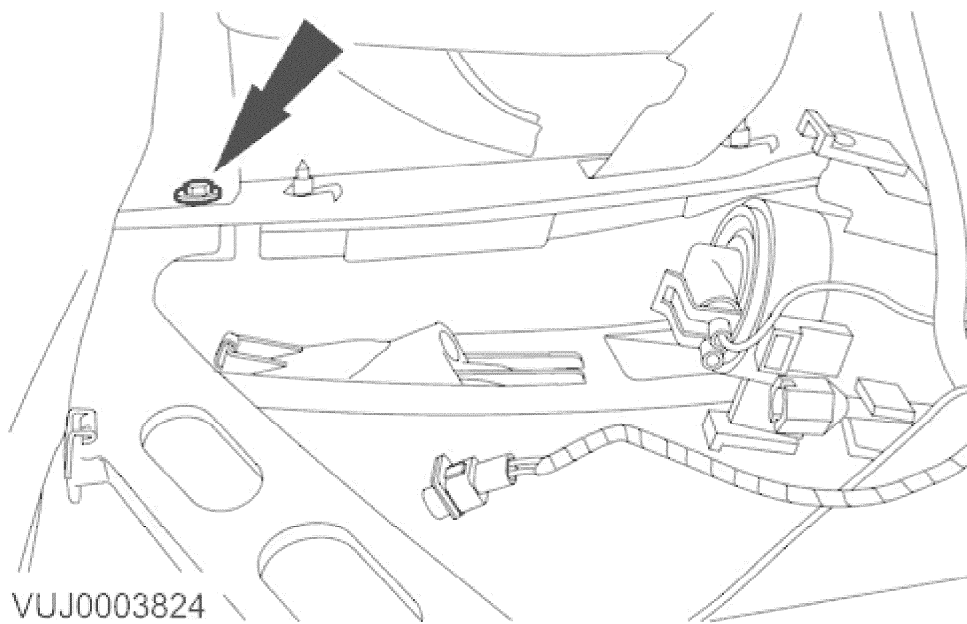
3. Disconnect the electrical connector.

## 2003 X-TYPE - Bumpers - 501-19



VUJ0003015

4. Disconnect the electrical connector.
  - Left-hand shown, right-hand similar.

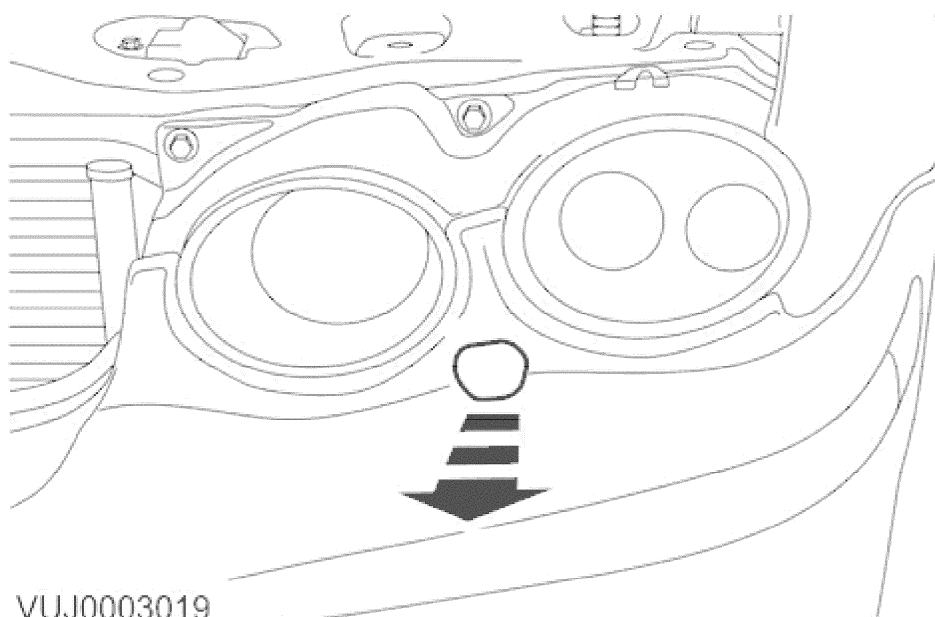


VUJ0003824

5. Detach the bumper cover.
  - Left-hand shown, right-hand similar.

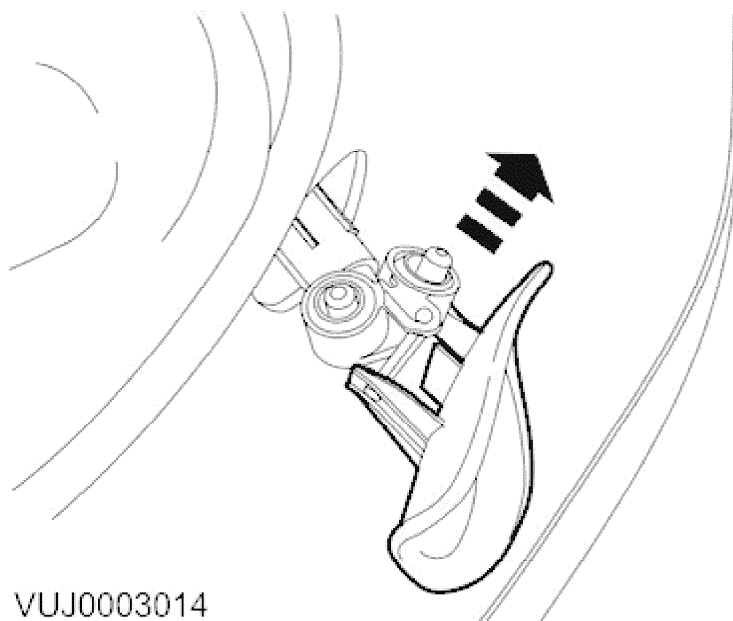
### Vehicles with headlamp washers

## 2003 X-TYPE - Bumpers - 501-19



VUJ0003019

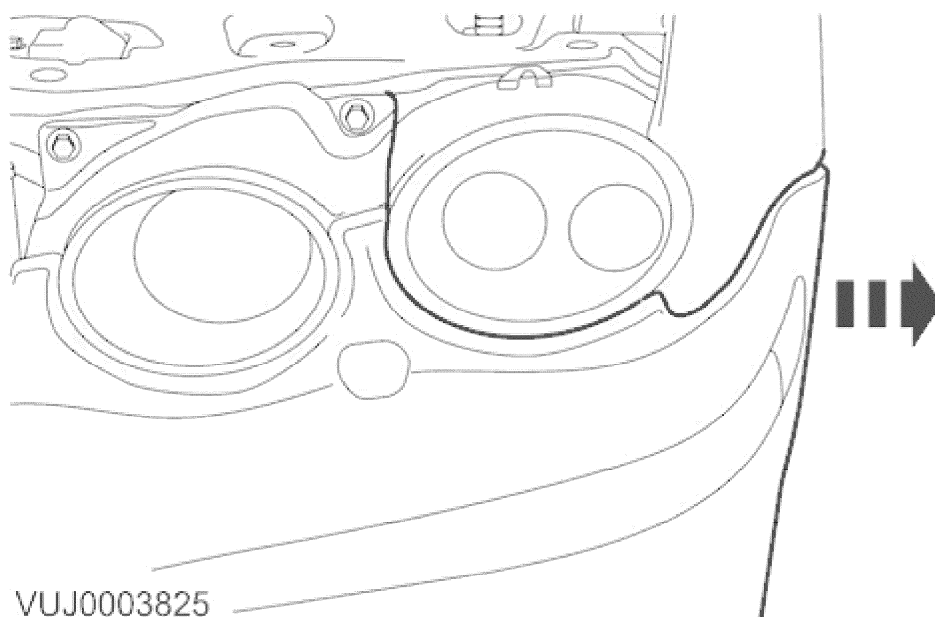
6. Reposition the headlamp washers to the fully open position.
  - Left-hand shown, right-hand similar.



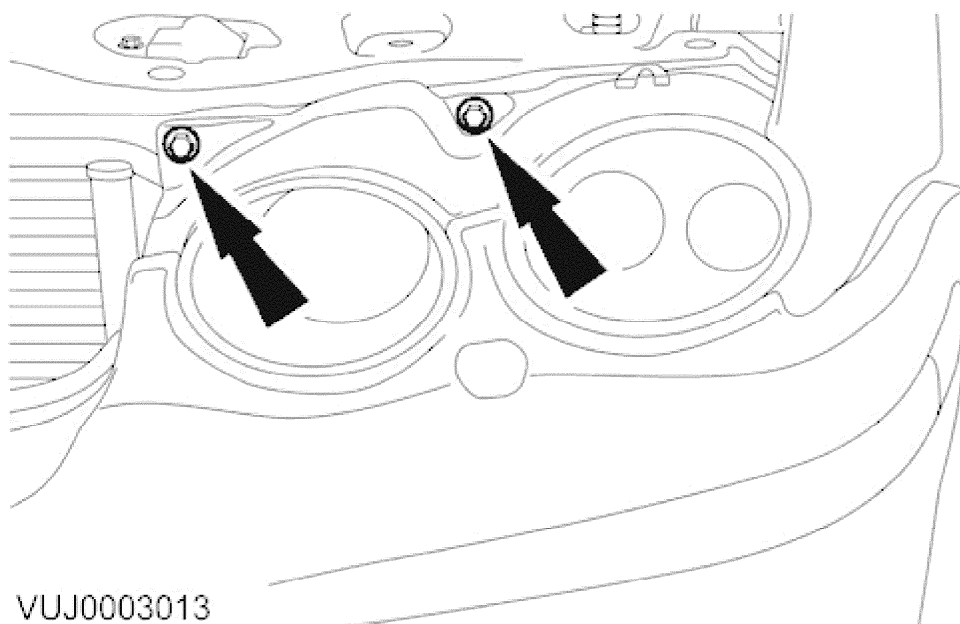
VUJ0003014

7. Remove the headlamp washer cover.
  - Left-hand shown, right-hand similar.

**All Vehicles**



8. Detach the side of the bumper cover from the retaining clips.
- Left-hand shown, right-hand similar.



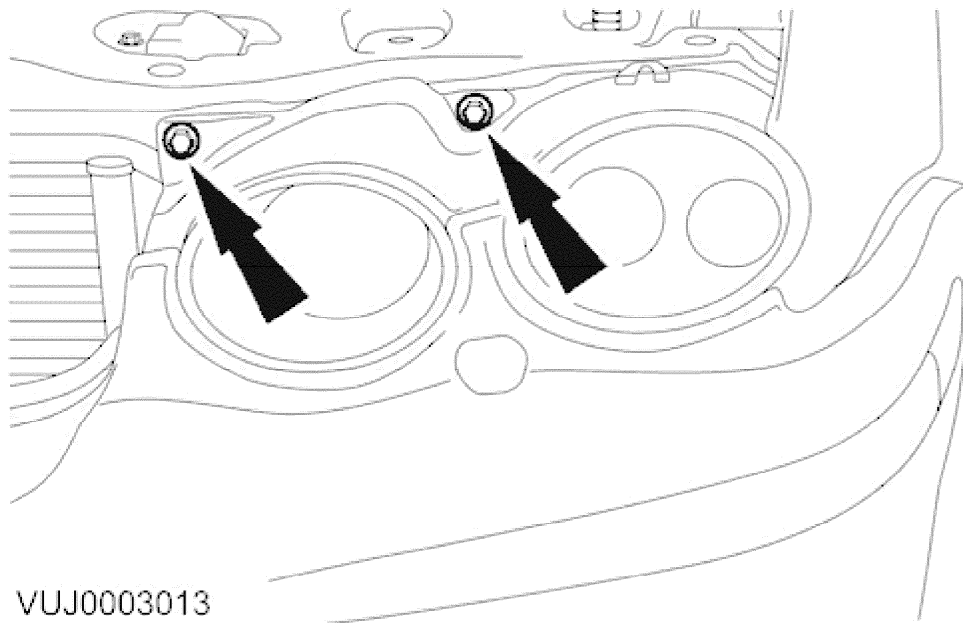
9.  **CAUTION:**  
**Make sure the bumper cover is supported before removing the securing bolts.**

- Remove the bumper cover.
- Remove the bumper cover securing bolts.
  - Left-hand shown, right-hand similar.

### Installation

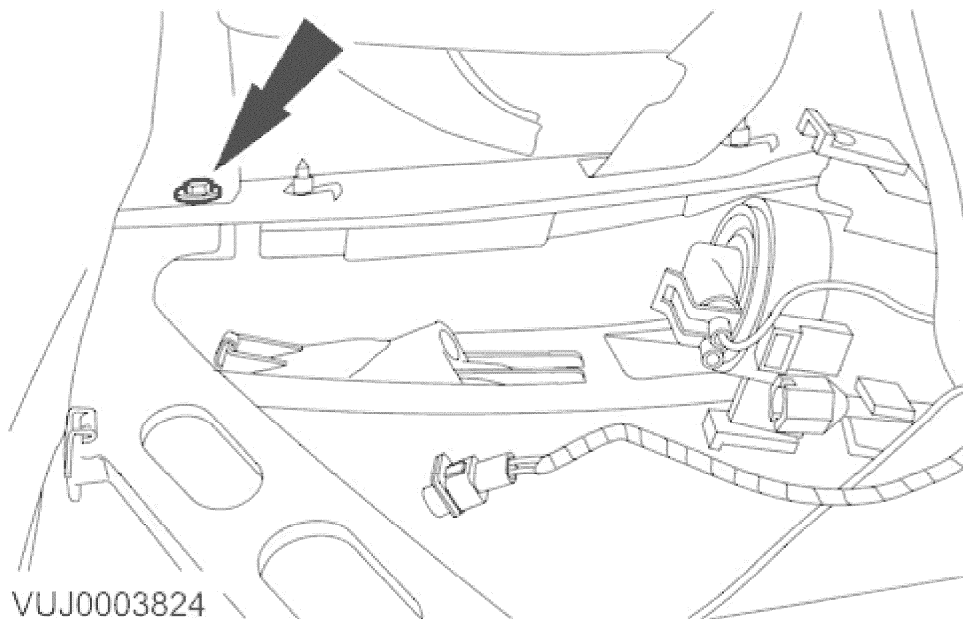
1. To install, reverse the removal procedure.

## 2003 X-TYPE - Bumpers - 501-19



VUJ0003013

2. Tighten to 7 Nm.



VUJ0003824

3. Tighten to 7 Nm.