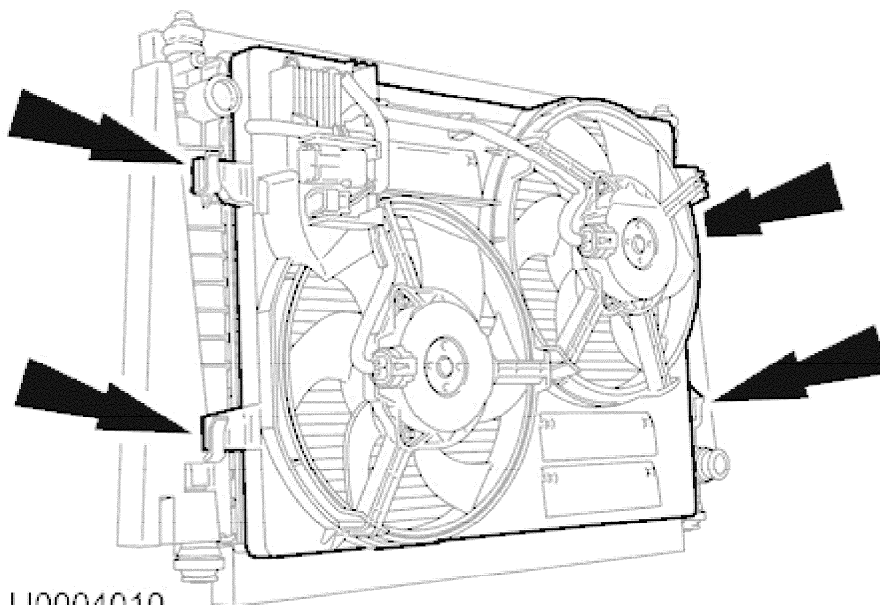



Radiator 26.40.01

Removal

1. Remove the cooling module. For additional information, refer to <<Cooling Module>>.

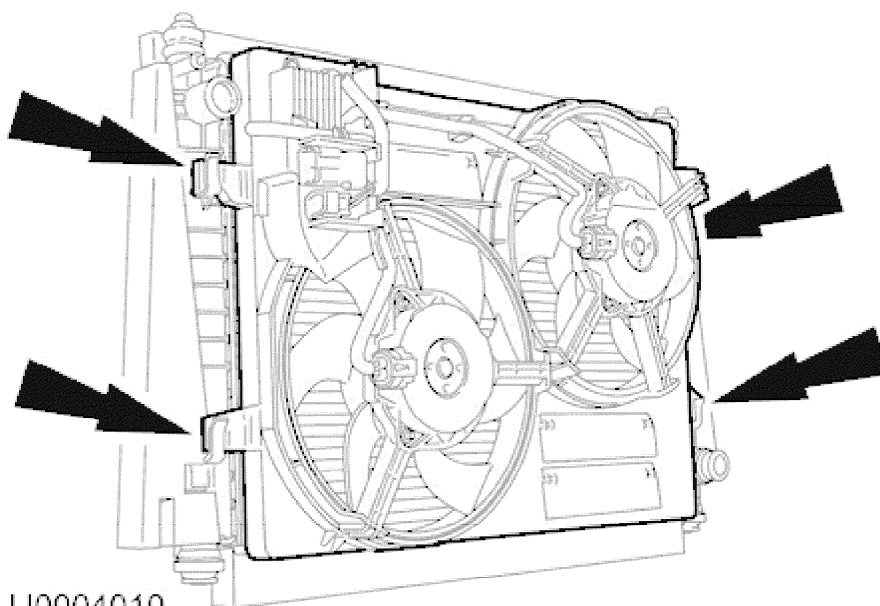


VUJ0004010

2.  **CAUTION:**
Make sure that the retaining lugs of the radiator are not damaged when removing the cooling fan motor and shroud from the radiator.


Remove the cooling fan motor and shroud.


Installation




VUJ0004010

2003 X-TYPE - Engine Cooling - 303-03

1.  **CAUTION:**
Make sure that the retaining lugs of the radiator are not damaged when installing the cooling fan motor and shroud to the radiator.

 **CAUTION:**
The radiator isolator mountings are constructed from a special material. Use only the correct specification radiator isolator mountings.

 **CAUTION:**
Inspect the radiator isolator mountings for damage and fatigue. Install new radiator isolator mountings if required.

 **CAUTION:**
Inspect the radiator seals for damage and security. Install new radiator seals if required.

To install, reverse the removal procedure.