

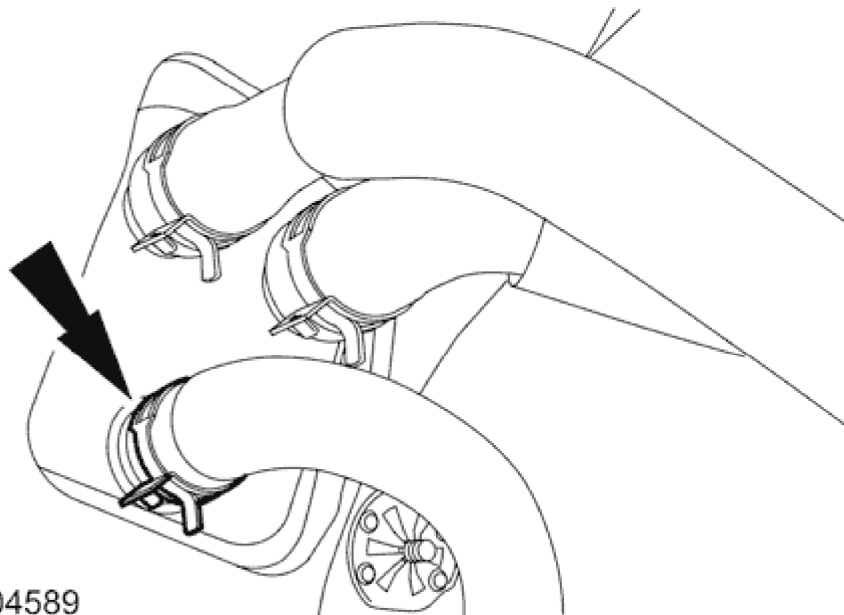
Heater Core 80.20.29

Removal

1. **NOTE:**

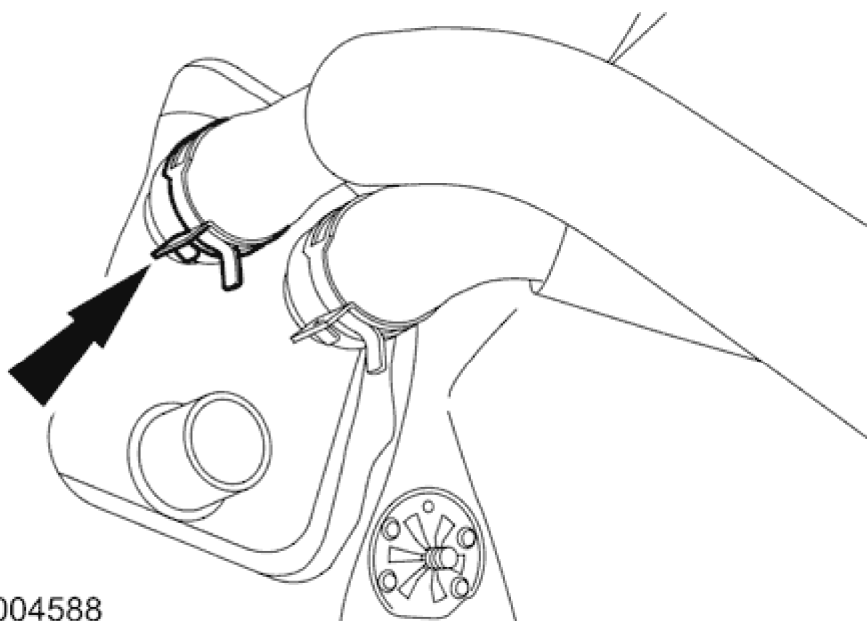
If a leak is suspected, the heater core must be leak tested in the vehicle before removal. For additional information, refer to <<412-00>>.

Drain the cooling system. For additional information, refer to <<303-03>>.



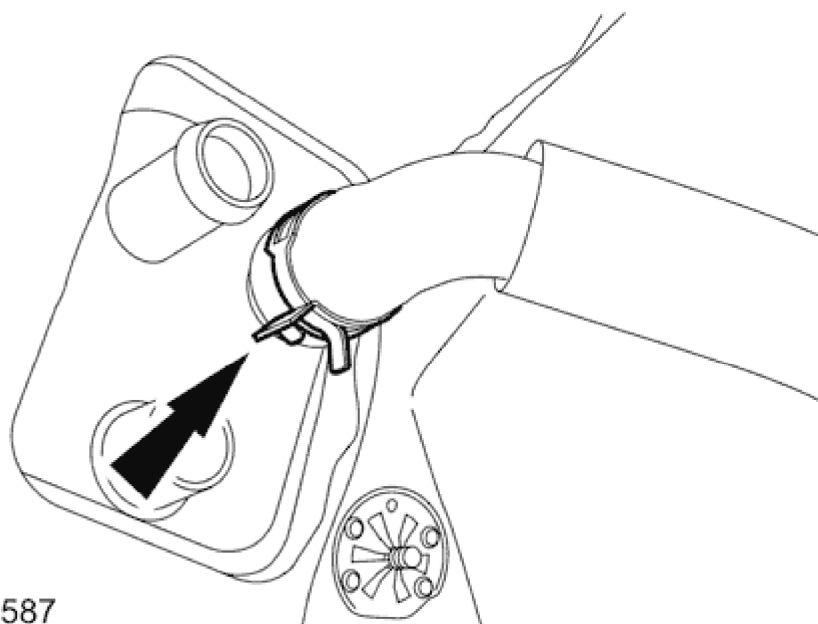
VUJ0004589

2. Disconnect the drain tube from the heater core.



VUJ0004588

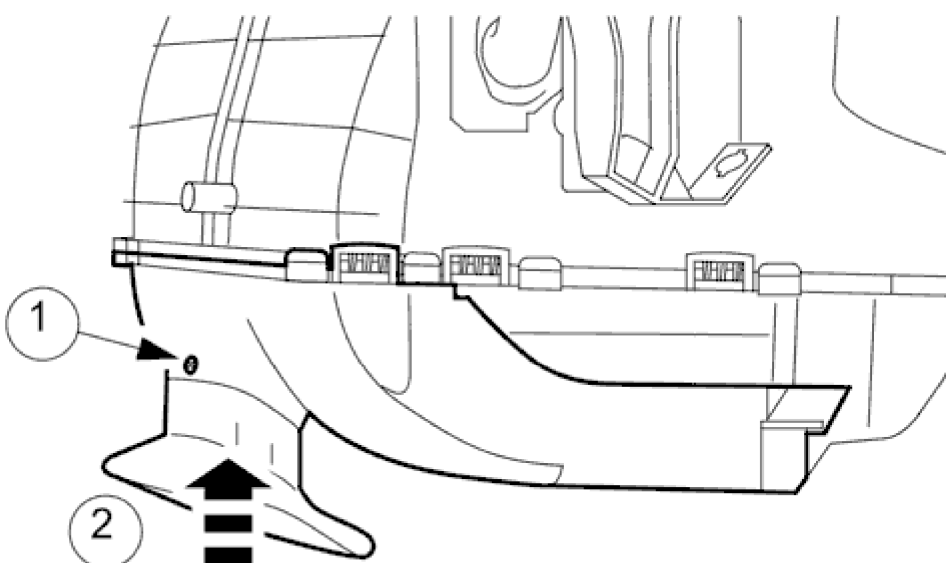
3. Disconnect the heater hose from the heater core.



VUJ0004587

4. Disconnect the heater hose from the heater core.

5. Remove the center console. For additional information, refer to <<501-12>>.

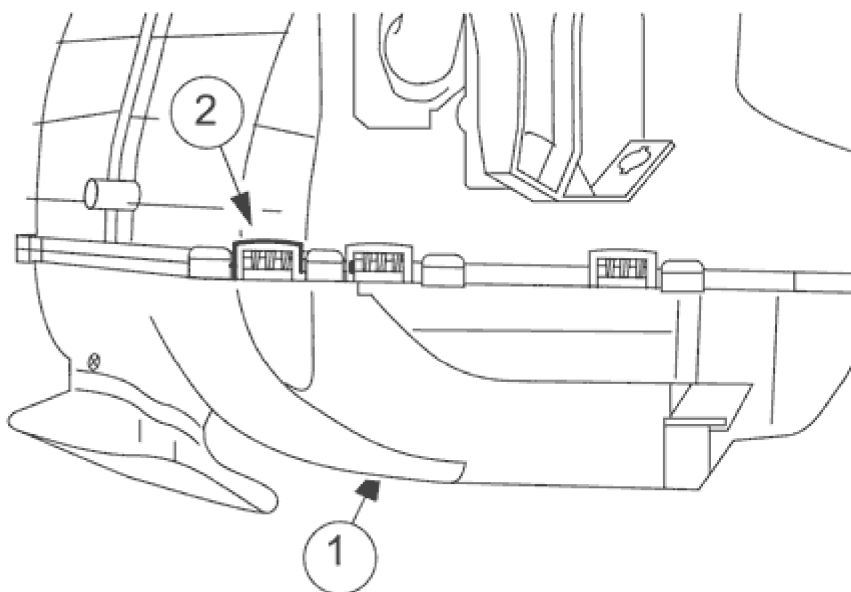


VUJ0004713

6. Position the heater core air duct up.

1. Remove the heater core air duct retaining screw.

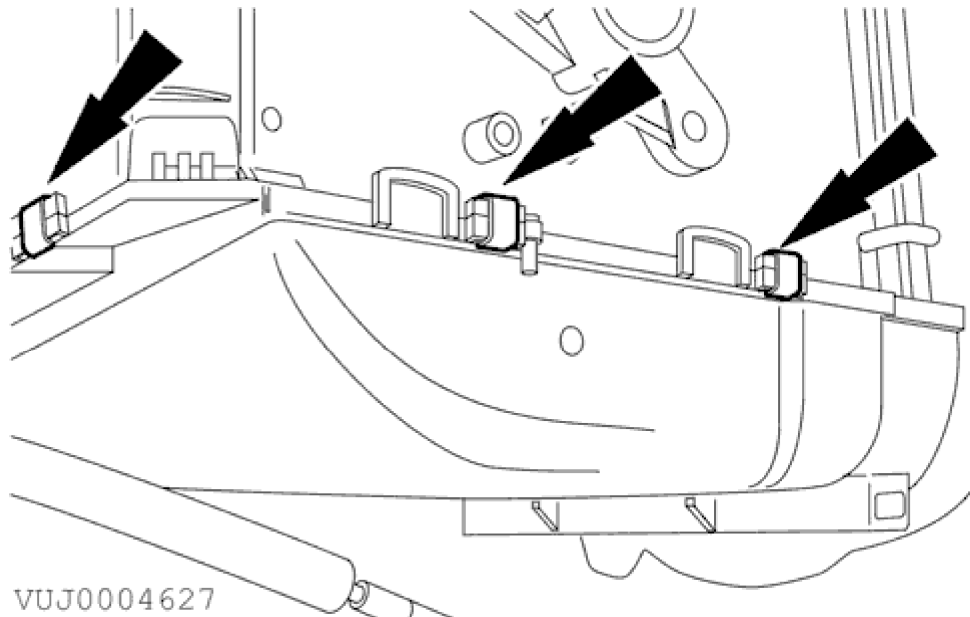
2. Position the heater core air duct up.



VUJ0004714

7. Remove the heater core air duct housing.

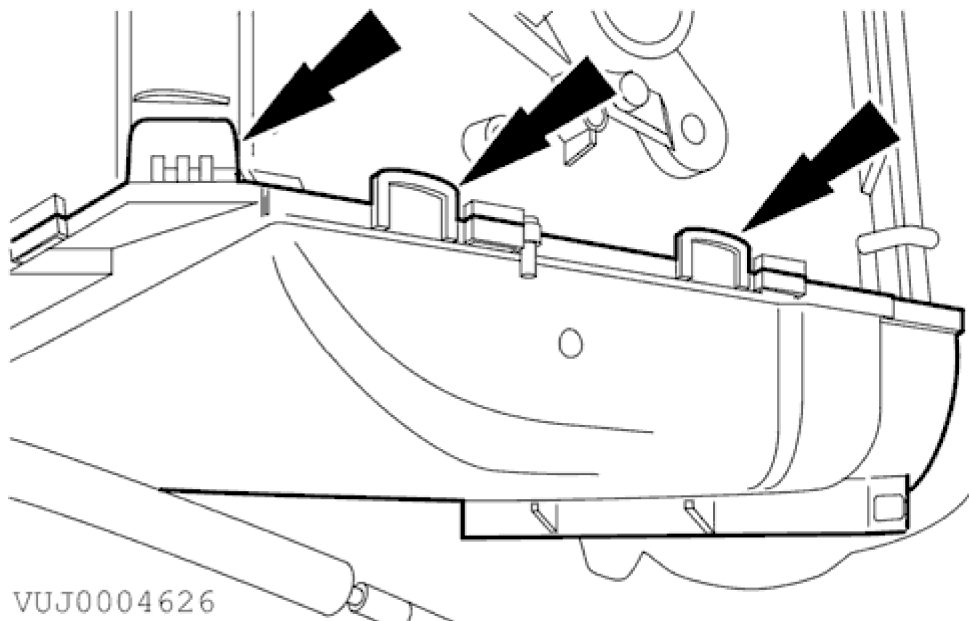
1. Remove the heater core air duct housing retaining screws.
 2. Remove the heater core air duct housing.
- Release the retaining tabs.
 - Right-hand side shown, left-hand side similar.



VUJ0004627

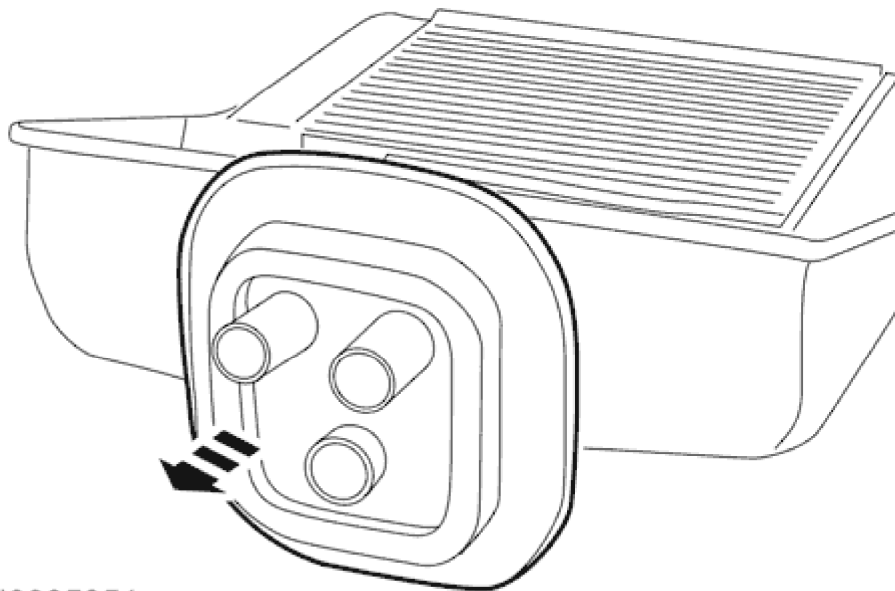
8. Remove the heater core housing retaining clips.

- Right-hand side shown, left-hand side similar.



VUJ0004626

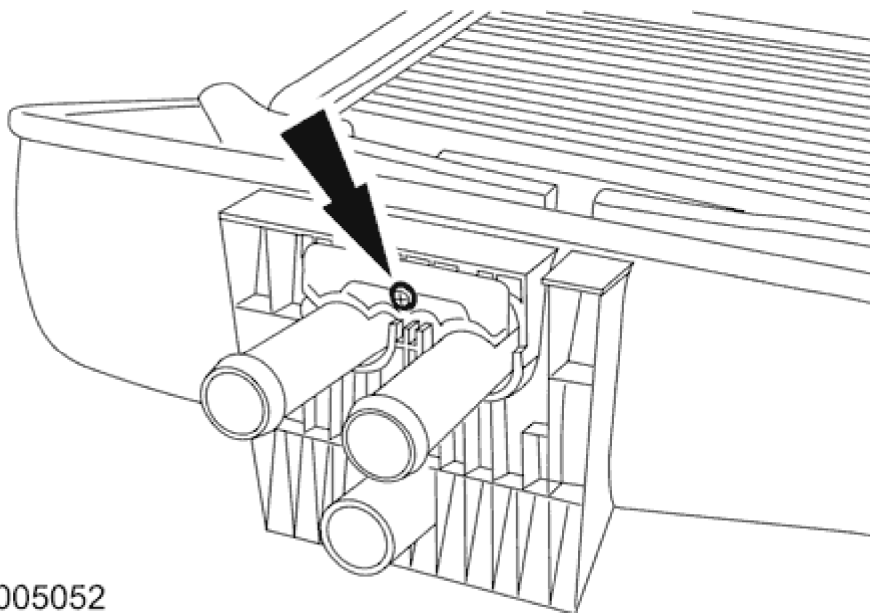
9. Remove the heater core housing
- Release the heater core housing retaining tabs.
 - Right-hand side shown, left-hand side similar.



VUJ0005051

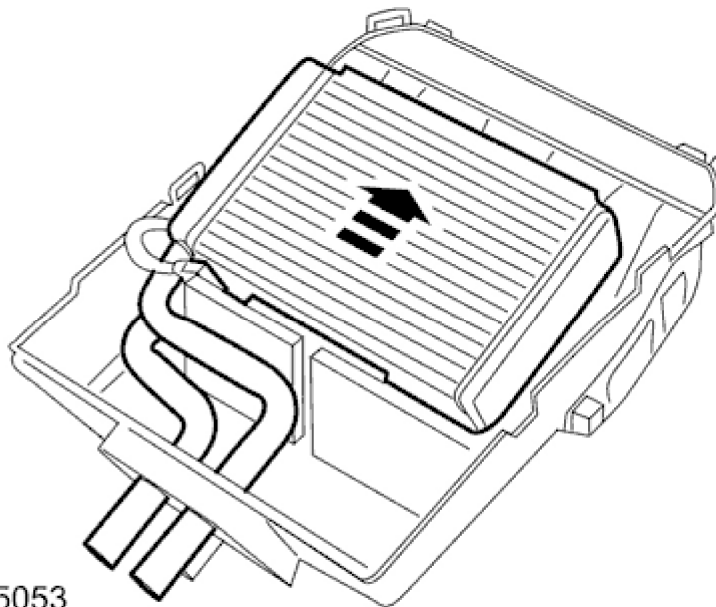
10. Remove the seal.

2002 X-TYPE - Heating and Ventilation - 412-02



VUJ0005052

11. Remove the heater core retaining screw.



VUJ0005053

12. Remove the heater core.

To install, reverse the removal procedure.