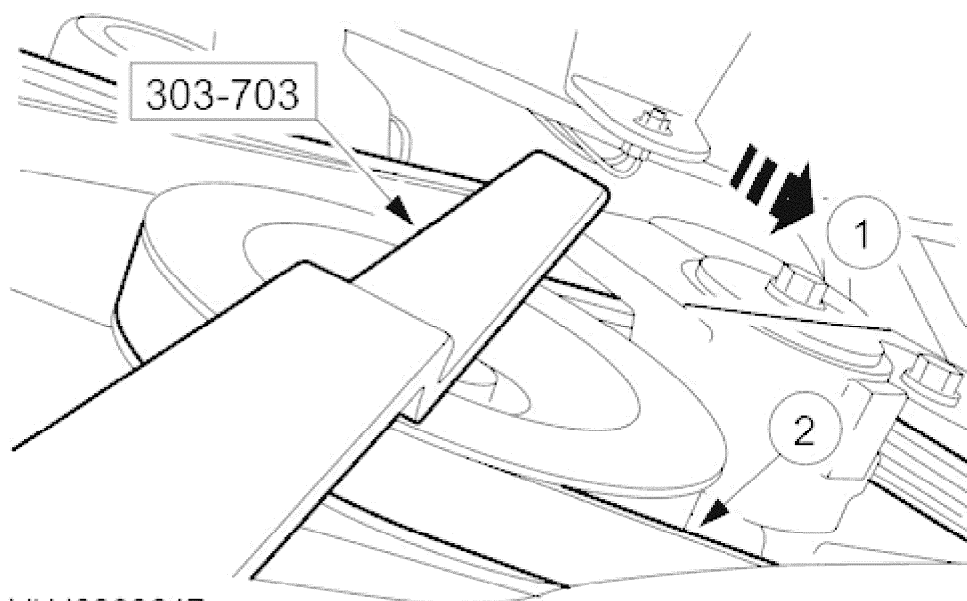


Air Conditioning (A/C) Compressor 82.10.20

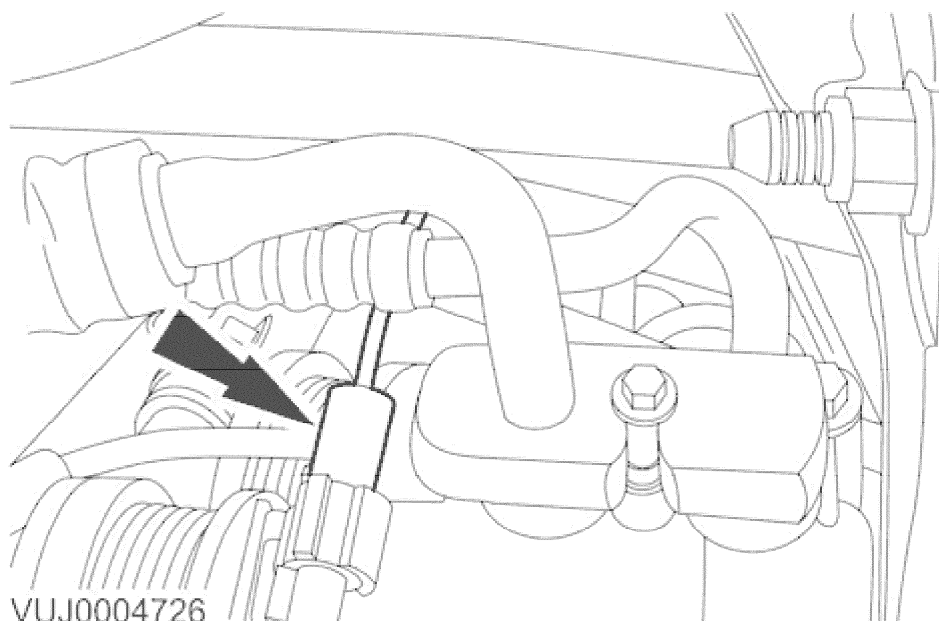
Removal

1. Reclaim the refrigerant. For additional information, refer to <<412-00>>.
2. Raise and support the vehicle. For additional information, refer to <<100-02>>.



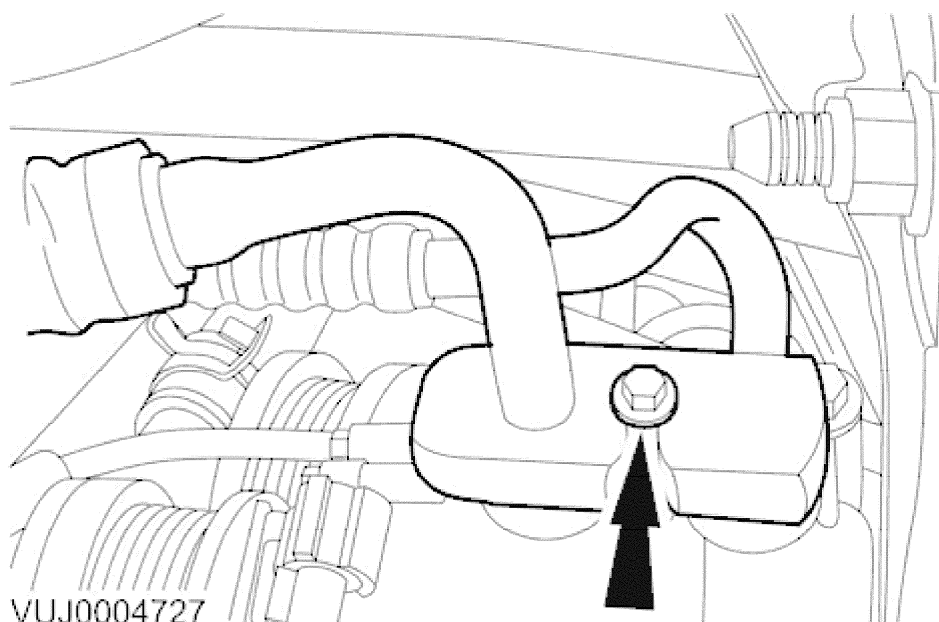
VUJ0003647

3. Detach the accessory drivebelt.
 1. Using the special tool, rotate the belt tensioner counter clockwise.
 2. Detach the accessory drivebelt



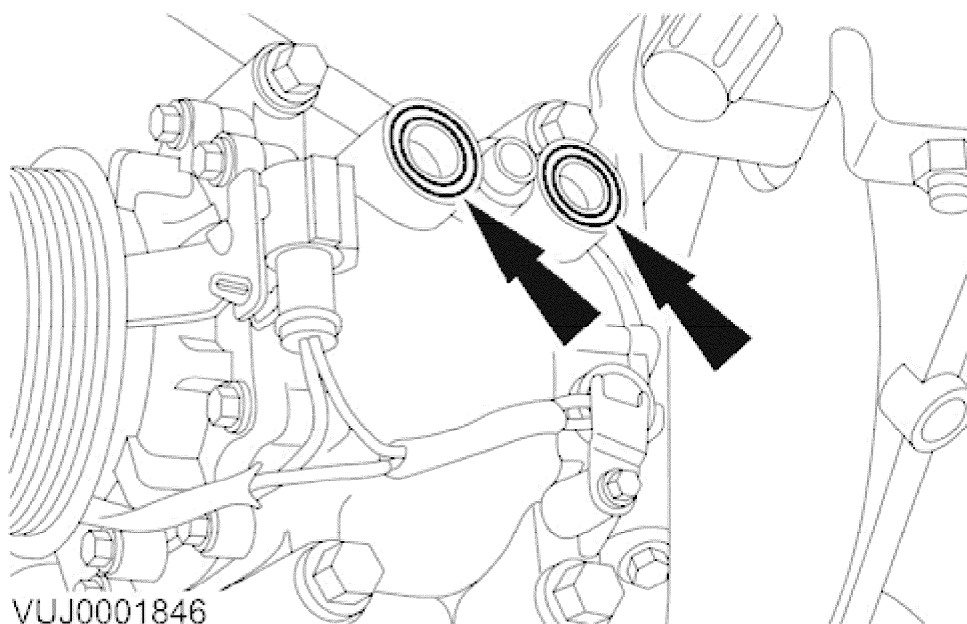
VUJ0004726

4. Disconnect the electrical connector.

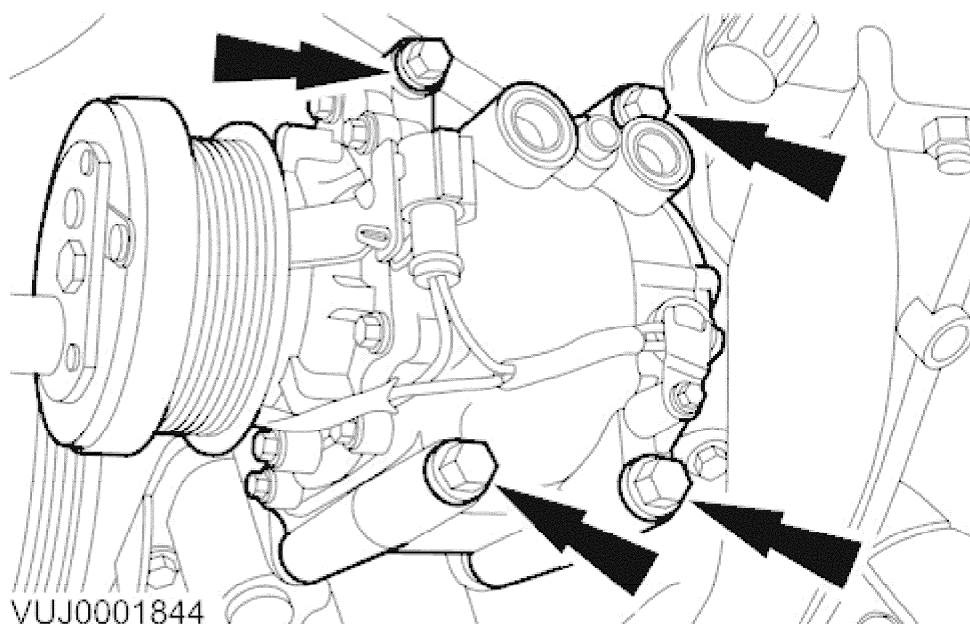


5. **NOTE:**
Seal the tube and the compressor with plugs

Detach the compressor supply and return tubes.



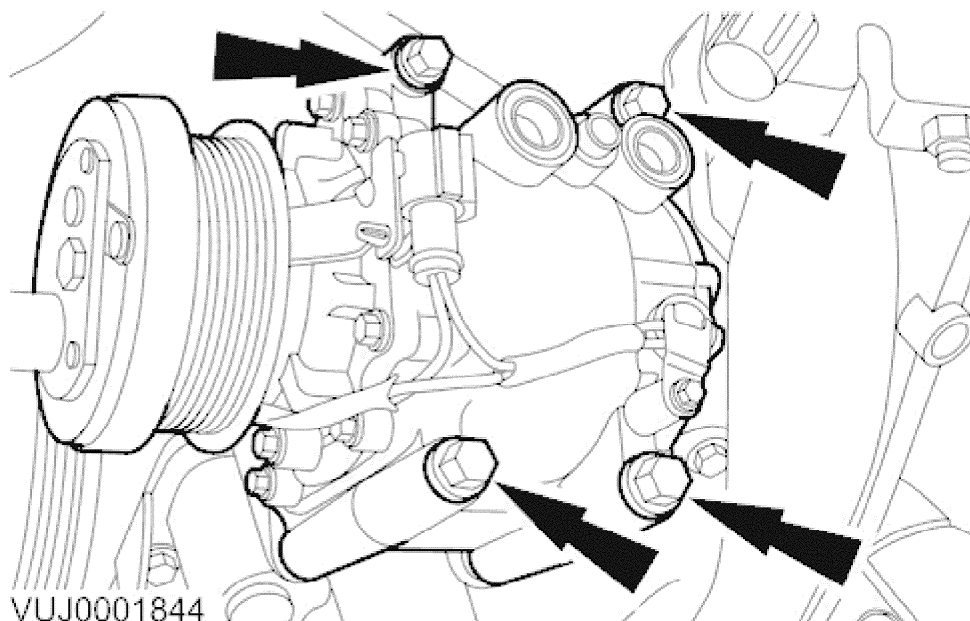
6. Remove and discard the compressor O-rings.



VUJ0001844

7. Remove the compressor.

Installation



VUJ0001844

1. **NOTE:**

Install new O-ring seals.

NOTE:

Coat the refrigerant line O-ring seals in clean refrigerant oil prior to installation.

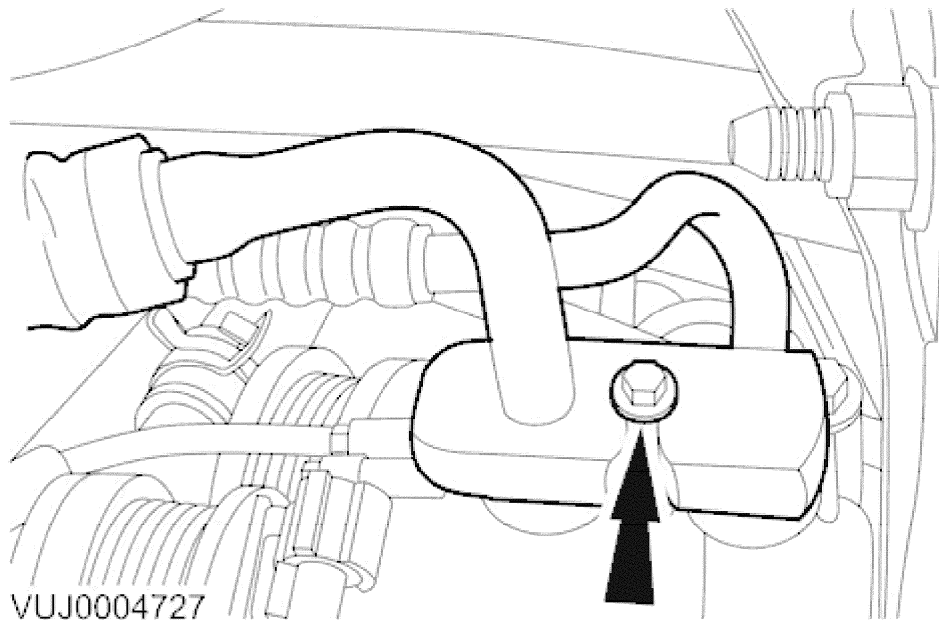
NOTE:

5oz of oil are contained in the new compressor. The air conditioning system requires a total of 7oz of oil.

To install, reverse the removal procedure.

- Tighten to 25 Nm.

2003 X-TYPE - Air Conditioning - 412-03



VUJ0004727

2. Tighten to 25 Nm.