

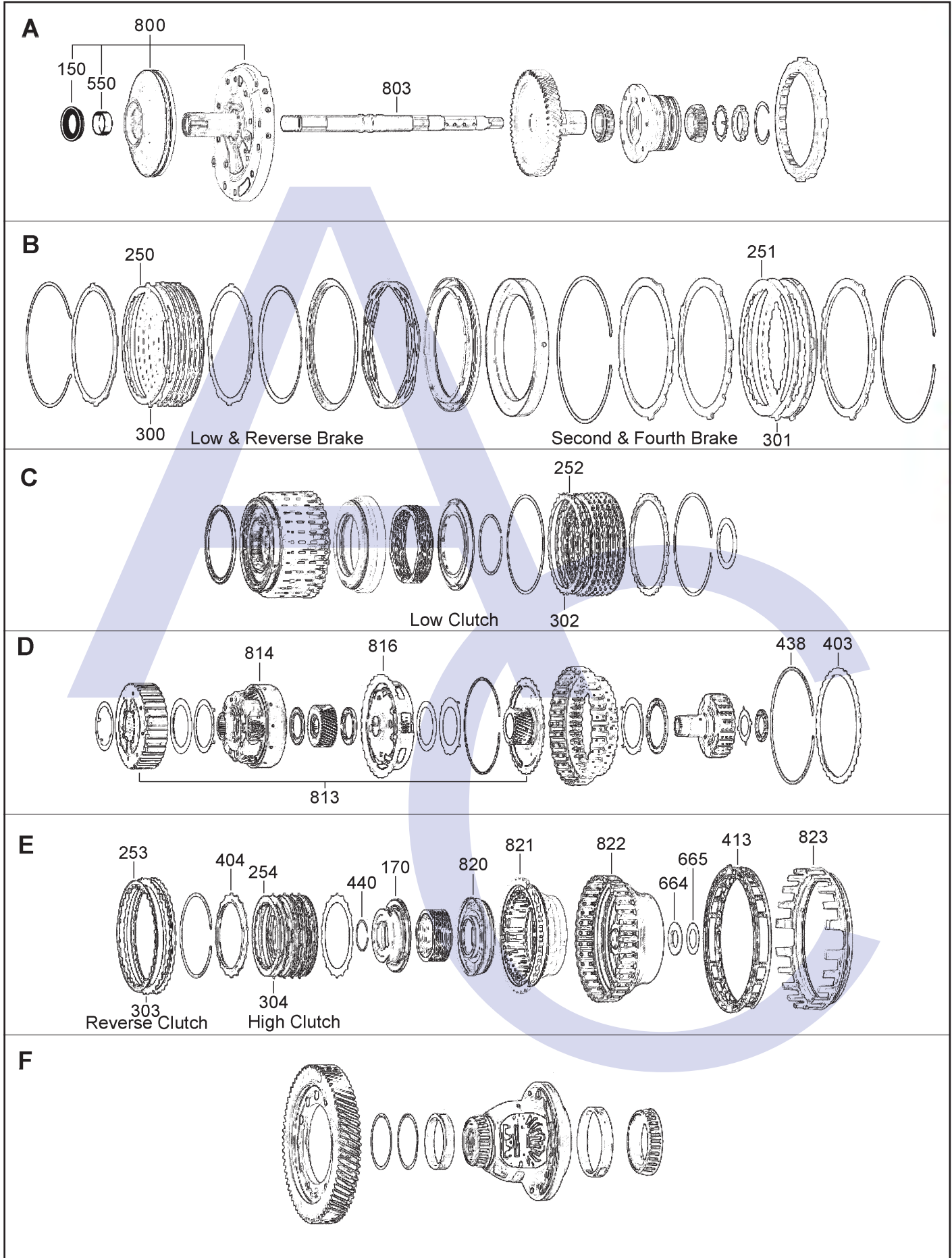
JATCO JF506E (Jaguar, Rover, Land Rover, Ford, Mazda, VW & Seat) 5 SPEED FWD (Electronic Control)



AUTOMATIC CHOICE



THE AUTOMATIC TRANSMISSION PARTS WAREHOUSE



JATCO JF506E (Jaguar, Rover, Land Rover, Ford, Mazda, VW & Seat) 5 SPEED FWD (Electronic Control)

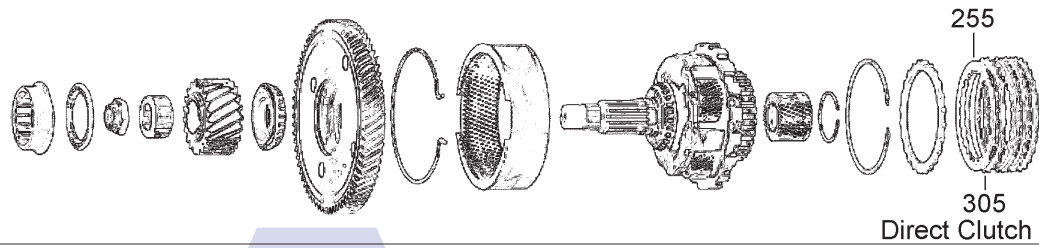


AUTOMATIC CHOICE

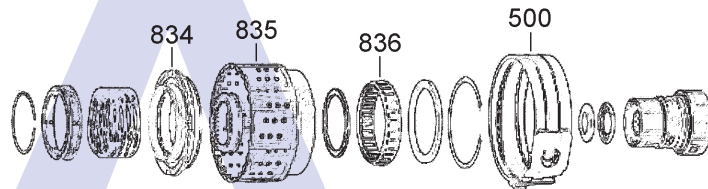


THE AUTOMATIC TRANSMISSION PARTS WAREHOUSE

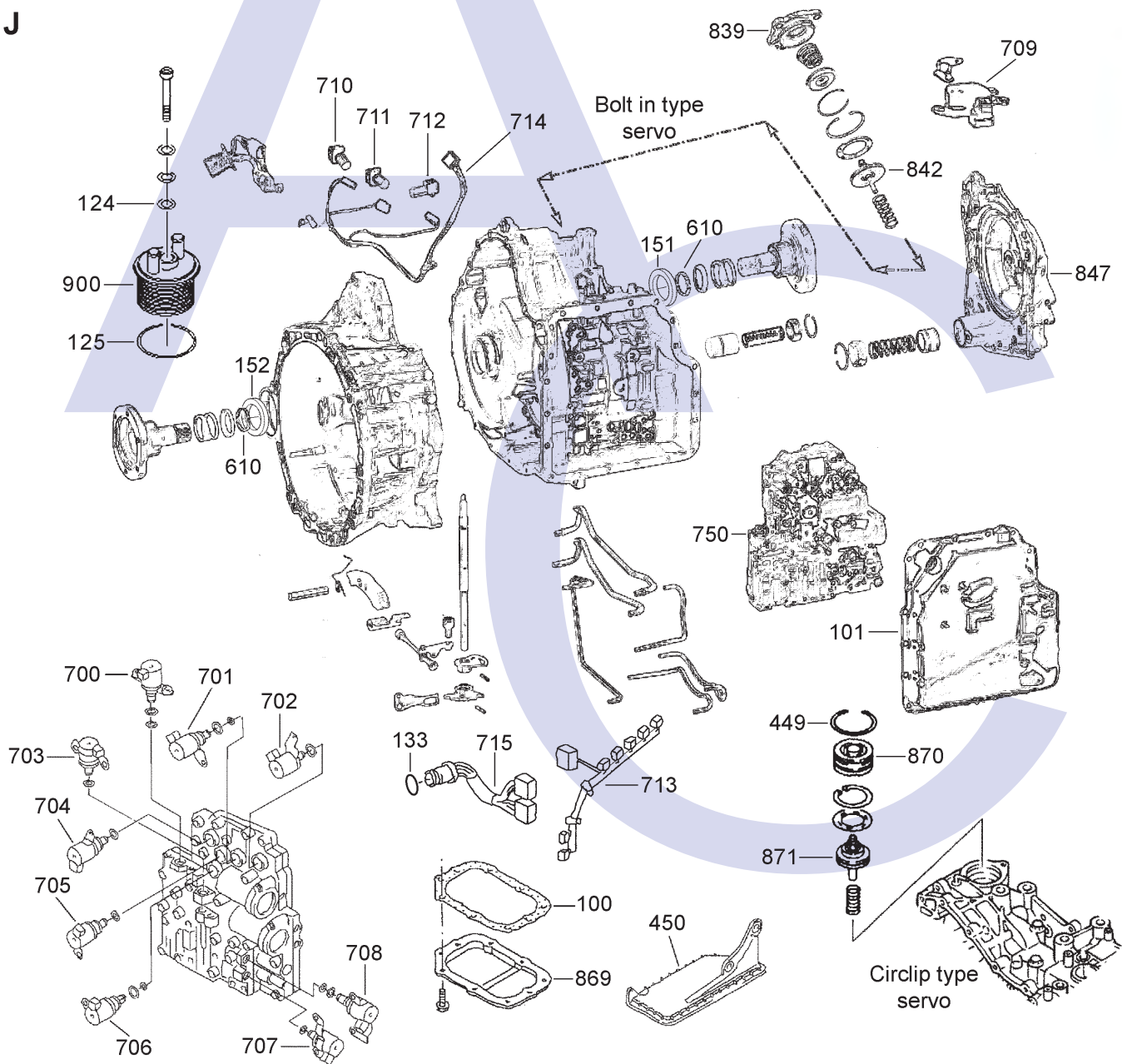
G



H



J



JATCO JF506E (Jaguar, Rover, Land Rover, Ford, Mazda, VW & Seat) 5 SPEED FWD (Electronic Control)



AUTOMATIC CHOICE



THE AUTOMATIC TRANSMISSION PARTS WAREHOUSE

ILL NO.	DESCRIPTION	YEARS	QTY	PART NO
KITS				
Kit	Overhaul (Transtec) Except Golf/Bora/Galaxy (W/O Pistons).....	00-ON	1	JF506E.OHK01
Kit	Overhaul (Transtec) Golf/Bora/Galaxy (W/O Pistons).....	02-ON	1	JF506E.OHK02
Kit	Overhaul (Precision)	00-ON	1	JF506E.OHK03
Kit	Overhaul (Rover OEM) (Without Gaskets)	00-ON	1	JF506E.OHK10
Kit	Overhaul (Mazda OEM) (Without Gaskets)	00-ON	1	JF506E.OHK11
Kit	Overhaul (Ford OEM) (Without Gaskets)	00-ON	1	JF506E.OHK12
Kit	Overhaul (Jaguar OEM) (Without Gaskets)	00-ON	1	JF506E.OHK13
Kit	Overhaul (VW OEM) (Without Gaskets)	00-ON	1	JF506E.OHK14
Kit	Seal Kit, High Clutch (Precision).....	00-ON	1	JF506E.ORK01
Kit	Seal Kit, 2-4 Brake (Precision).....	00-ON	1	JF506E.ORK02
Kit	Valve Body Gasket Kit	00-ON	1	JF506E.GK01
GASKETS				
100J	Pan Gasket (Galaxy).....	4/00-ON	1	JF506E.GAS01
101J	Valve Body Cover	00-ON	1	JF506E.GAS02
101J	Valve Body Cover (Farpack)	00-ON	1	JF506E.GAS12
NI	Pump to Case (Coated Metal) ..	00-ON	1	JF506E.GAS06
NI	Valve Body, Upper & Lower Main (Mazda Only)	00-ON	2	JF506E.GAS03
NI	Valve Body, Upper & Lower Main (All Except Mazda).....	00-ON	2	JF506E.GAS04
NI	Valve Body, Auxillary Upper & Lower (All).....	00-ON	2	JF506E.GAS05
RUBBER COMPONENTS				
Kit	Seal Kit, High Clutch (Precision).....	00-ON	1	JF506E.ORK01
NI	Pump 'O' Ring.....	00-ON	1	RL4.OR05
124J	'O' Ring, Oil Cooler Bolt Seal....	00-ON	1	JF506E.OR04
125J	'O' Ring, Oil Cooler to Case	00-ON	1	JF506E.OR03
133J	'O' Ring, Valve Body Loom Connector to Case.....	00-ON	1	5HP18.OR03
METAL CLAD SEALS				
150A	Converter	00-ON	1	RL43.MCS01
151J	Drive Shaft (L.H. Galaxy)	00-ON	1	JF506E.MCS02
151J	Drive Shaft (L.H. Rover 75).....	00-ON	1	JF506E.MCS04
151J	Drive Shaft (L.H. Freelander)....	00-ON	1	JF506E.MCS05
151J	Drive Shaft (L.H. Mondeo / Mazda) (56mm x 41mm x 8/13).....	00-ON	1	JF506E.MCS06
152J	Drive Shaft (R.H. Galaxy)	00-ON	1	JF506E.MCS03
152J	Drive Shaft (R.H. Rover 75).....	00-ON	1	JF506E.MCS04
152J	Drive Shaft (R.H. Freelander) ...	00-ON	1	JF506E.MCS05
152J	Drive Shaft (R.H. Mondeo / Mazda) (56mm x 41mm x 8/13).....	00-ON	1	JF506E.MCS06
152J	Drive Shaft (R.H. AWD Jaguar / Rover) (68mm x 56mm x 7mm).....	00-ON	1	JF506E.MCS07

ILL NO.	DESCRIPTION	YEARS	QTY	PART NO
MOULDED PISTONS				
170E	Accumulator Piston (OEM) High Clutch	00-ON	1	JF506E.PIS03
170E	Accumulator Piston (Precision) High Clutch	00-ON	1	JF506E.PIS02
SEALING RINGS				
Kit	Sealing Ring Kit (Transtec)	02-ON	1	JF506E.SRK01
NI	Converter Sealing Washer (Behind Pump Seal).....	00-ON	1	JF506E.SSR01
NI	Input Shaft.....	00-ON	3	JF506E.SSR02
NI	Direct Clutch	00-ON	2	JF506E.SSR03
NI	Low Clutch	00-ON	2	JF506E.SSR04
NI	High/Reverse Clutch.....	00-ON	3	JF506E.SSR05
FRICTION PLATES				
Kit	Friction Kit	00-ON	1	JF506E.FRK01
Kit	Friction Kit (Alto)	00-ON	1	JF506E.FRK51
Kit	Overdrive Drum Saver Kit (Alto) ..	00-ON	1	JF506E.CK01
250B	Low Reverse (163mm OD x 1.80mm x 32T) ..	00-ON	7	RL4.FRP29
250B	Low Reverse (Alto) (163mm OD x 1.80mm x 32T) ..	00-ON	7	RL4.FRP79
251B	2nd & 4th Brake (191mm OD x 1.60mm x 32T) ..	00-ON	3	JF506E.FRP03
251B	2nd & 4th Brake (Alto) (191mm OD x 1.60mm x 32T) ..	00-ON	3	JF506E.FRP53
252C	Low Clutch (138mm OD x 1.73mm x 30T) ..	00-ON	7	JF506E.FRP02
252C	Low Clutch (Alto) (138mm OD x 1.73mm x 30T) ..	00-ON	7	JF506E.FRP52
253E	Reverse Clutch (155mm OD x 1.52mm x 32T) ..	00-ON	2	JF506E.FRP04
253E	Reverse Clutch (Alto) (155mm OD x 1.52mm x 32T) ..	00-ON	2	JF506E.FRP54
254E	High Clutch (Aftermarket) (112mm OD x 1.60mm x 24T)...	00-ON	5	RL4.FRP23
254E	High Clutch (Alto) (112mm OD x 1.60mm x 24T)...	00-ON	5	RL4.FRP73
255G	Direct Clutch (102mm OD x 1.73mm x 24T) ..	00-ON	4	JF506E.FRP01
255G	Direct Clutch (Alto) (102mm OD x 1.73mm x 24T) ..	00-ON	4	JF506E.FRP51
STEEL PLATES				
Kit	Steel Plate Kit	00-ON	1	JF506E.STK01
Kit	Overdrive Drum Saver Kit (Alto) ..	00-ON	1	JF506E.CK01
300B	Low Reverse (150mm ID x 1.4mm x 10T)	00-ON	7	JF506E.STP05
302C	Low Clutch (123mm ID x 1.40mm x 32T)	00-ON	7	JF506E.STP02
301B	2nd & 4th Brake (170mm ID x 3.00mm x 7T)	00-ON	3	JF506E.STP03
303E	Reverse Clutch (142mm ID x 2.00mm x 36T)	00-ON	2	JF506E.STP04
304E	High Clutch (91.50mm ID x 2.40mm x 18T) .	00-ON	5	JF506E.STP06
304E	High Clutch (OEM) (91.50mm ID x 2.40mm x 18T) .	00-ON	5	JF506E.STP26
304E	High Clutch (91.50mm ID x 1.60mm x 18T) .	00-ON	5	JF506E.STP07
04E	High Clutch (OEM)) (91.50mm ID x 1.60mm x 18T) .	00-ON	5	JF506E.STP27

JATCO JF506E (Jaguar, Rover, Land Rover, Ford, Mazda, VW & Seat) 5 SPEED FWD (Electronic Control)



AUTOMATIC CHOICE



THE AUTOMATIC TRANSMISSION PARTS WAREHOUSE

ILL NO.	DESCRIPTION	YEARS	QTY	PART NO
STEEL PLATES Cont...				
305G	Direct Clutch (86mm ID x 2.00mm x 24T)	00-ON	4	JF506E.STP01
PRESSURE PLATES				
403D	Reverse Clutch (142mm ID x 36T) (3.60mm Thick)	00-ON	AR	JF506E.PP01
	(3.80mm Thick)	00-ON	AR	JF506E.PP02
	(4.00mm Thick)	00-ON	AR	JF506E.PP03
	(4.20mm Thick)	00-ON	AR	JF506E.PP04
404E	High Clutch (91.50mm ID x 18T) (3.00mm Thick)	00-ON	AR	JF506E.PP05
	(3.02mm Thick)	00-ON	AR	JF506E.PP06
	(3.04mm Thick)	00-ON	AR	JF506E.PP07
	(3.06mm Thick)	00-ON	AR	JF506E.PP08
SPRINGS & CIRCLIPS				
413E	Return Spring Assy 2-4 Brake (21.40mm High)	00-ON	1	JF506E.SPR03
438D	Circlip, Reverse Clutch	00-ON	1	JF506E.CIR01
440E	Circlip, High Clutch Damper.....	00-ON	1	JF506E.CIR03
449J	Circlip, Servo Cover (Circlip Type Servo)	00-ON	1	JF506E.CIR02
FILTERS				
450J	Pick Up Filter (Galaxy) (OEM)	4/00-ON	1	JF506E.FIL01
450J	Pick Up Filter (Galaxy) (Aftermarket)	4/00-ON	1	JF506E.FIL11
450J	Pick Up Filter (Rover 75, Freelander, Mazda & Mondeo) (OEM)	02/02-ON	1	JF506E.FIL02
450J	Pick Up Filter (Rover 75, Freelander, Mazda & Mondeo) (Aftermarket)	02/02-ON	1	JF506E.FIL12
450J	Pick Up Filter (Golf/Bora Audi A3) (OEM)	99-ON	1	JF506E.FIL03
450J	Pick Up Filter (Golf/Bora Audi A3) (Aftermarket)	99-ON	1	JF506E.FIL13
BANDS				
500H	Reduction Brake Band (All Models)	00-ON	1	JF506E.BAN01
BUSHINGS				
Kit	Bushing Kit.....	00-ON	1	JF506E.BK01
550A	Bush, Front Pump	00-ON	1	L3N.BUS01

ILL NO.	DESCRIPTION	YEARS	QTY	PART NO
THRUST WASHERS & BEARINGS				
Kit	Bearing Kit (Mazda)	00-ON	1	JF506E.TWK01
Kit	Bearing Kit (Ford).....	00-ON	1	JF506E.TWK02
610J	Conical Washer, Differential Drive Shaft	00-ON	1	JF506E.THW01
664E	Radial Bearing, High/Rev Drum to End Cover	00-ON	1	JF506E.TOR01
665E	Race, High/Rev Drum to End Cover	00-ON	1	JF506E.TOR02
ELECTRICAL COMPONENTS				
Kit	Solenoid Kit (Jaguar/Rover Etc)	00-ON	1	JF506E.SOL20
Kit	Solenoid Kit (Mazda/Mondeo)...	00-ON	1	JF506E.SOL21
700J	Line Pressure Duty Solenoid (All Models)	00-ON	1	JF506E.SOL09
701J	Shift Solenoid 'B' (All Models)	00-ON	1	JF506E.SOL01
702J	Shift Solenoid 'C' (Galaxy/Sharan/Jaguar/Rover) .	00-ON	1	JF506E.SOL02
702J	Shift Solenoid 'C' (Mazda/Mondeo, Green Conn) .	00-ON	1	JF506E.SOL11
703J	Low Clutch Timing Solenoid (Galaxy/Sharan/Jaguar/Rover) .	00-ON	1	JF506E.SOL04
703J	High Clutch Control Solenoid (Mazda/Mondeo).....	00-ON	1	JF506E.SOL13
704J	Shift Solenoid 'A' (Galaxy/Sharan/Jaguar/Rover) .	00-ON	1	JF506E.SOL03
704J	Shift Solenoid 'A' (Mazda/Mondeo).....	00-ON	1	JF506E.SOL14
705J	Reduction Timing Solenoid (Galaxy/Sharan/Jaguar/Rover) .	00-ON	1	JF506E.SOL08
705J	Reduction Timing Solenoid (Mazda/Mondeo).....	00-ON	1	JF506E.SOL15
706J	Lock Up Solenoid (Galaxy/Sharan/Jaguar/Rover) .	00-ON	1	JF506E.SOL06
706J	Lock Up Solenoid (Mazda/Mondeo).....	00-ON	1	JF506E.SOL10
707J	2-4 Brake Timing Solenoid (Galaxy/Sharan/Jaguar/Rover) .	00-ON	1	JF506E.SOL05
707J	Neutral Shift Solenoid (Mazda/Mondeo, Black Conn) ..	00-ON	1	JF506E.SOL12
708J	2-4 Brake Duty Solenoid (Galaxy/Sharan/Jaguar/Rover) .	00-ON	1	JF506E.SOL07
708J	2-4 Brake Solenoid (Mazda/Mondeo).....	00-ON	1	JF506E.SOL13
709J	Range Switch (Galaxy/Sharan)	00-ON	1	JF506E.ELE01
709J	Range Switch (Rover 75 V6 2500cc).....	99-ON	1	JF506E.ELE02
709J	Range Switch (Rover 75 2.0L TD)	99-ON	1	JF506E.ELE13
709J	Range Switch (Land Rover Freelander).....	00-ON	1	JF506E.ELE03
709J	Range Switch (Rover 45 V6 2000cc).....	00-ON	1	JF506E.ELE03
709J	Range Switch (Ford Mondeo)	00-ON	1	JF506E.ELE10
709J	Range Switch (Jaguar X-Type 2.5L V6).....	00-ON	1	JF506E.ELE12
710J	Intermediate Speed Sensor (OEM)	00-ON	1	JF506E.ELE04
710J	Intermediate Speed Sensor (Aftermarket)	00-ON	1	JF506E.ELE54
711J	Vehicle Speed Sensor (OEM)...	00-ON	1	JF506E.ELE04
711J	Vehicle Speed Sensor (Aftermarket)	00-ON	1	JF506E.ELE54
712J	Turbine Speed Sensor (OEM) ..	00-ON	1	JF506E.ELE04
712J	Turbine Speed Sensor (Aftermarket)	00-ON	1	JF506E.ELE54

JATCO JF506E (Jaguar, Rover, Land Rover, Ford, Mazda, VW & Seat) 5 SPEED FWD (Electronic Control)



AUTOMATIC CHOICE



THE AUTOMATIC TRANSMISSION PARTS WAREHOUSE

ILL NO.	DESCRIPTION	YEARS	QTY	PART NO
ELECTRICAL COMPONENTS Cont...				
713J	Solenoid Wiring Loom (Mondeo).....	2/02-ON	1	JF506E.ELE05
713J	Solenoid Wiring Loom (Galaxy / Sharan).....	00-ON	1	JF506E.ELE07
714J	Internal Speed Sensor Loom (Galaxy / Sharan).....	00-ON	1	JF506E.ELE08
715J	Case Loom (Galaxy / Sharan) ..	00-ON	1	JF506E.ELE06
VALVE BODY PARTS				
750J	Valve Body Assy (OEM) (Galaxy, Sharan, Alhambra).....	00-ON	1	JF506E.VB01
750J	Valve Body Assy (Remanufactured) (VW, Galaxy, Seat).....	00-ON	1	JF506E.VB02
750J	Valve Body Assy (Remanufactured) (Jaguar/Land Rover).....	00-ON	1	JF506E.VB03
750J	Valve Body Assy (Remanufactured) (Mazda/Ford)	00-ON	1	JF506E.VB04
Kit	TCC Control Plunger Valve Assy (Sonnax® Click Here for Info) ...	00-ON	1	JF506E.VA01
Kit	TCC Control Valve & Plunger Assy (Sonnax® Click Here for Info) ...	00-ON	1	JF506E.VA06
Kit	Oversize Pressure Regulator Valve (Requires Tool JF506E.VA05 & Valve Body Fixture AG4.VA05) (Sonnax® Click Here for Info) ...	00-ON	1	JF506E.VA02
Kit	Toolkit for JF506E.VA02 (Sonnax®).....	00-ON	1	JF506E.VA05
Kit	TC Pressure Regulator Valve & Sleeve (Requires Toolkit JF506E.VA04 & Valve Body Fixture AG4.VA05) (Sonnax® Click Here for Info) ...	00-ON	1	JF506E.VA03
Kit	Toolkit for JF506E.VA03 (Sonnax®).....	00-ON	1	JF506E.VA04
HARD PARTS				
800A	Pump Assembly	00-ON	1	JF506E.PUM01
803A	Input Shaft.....	00-ON	1	JF506E.SH01
813D	Planetary Kit Complete (Used) .	00-ON	1	JF506E.PLK11
814D	Rear Planetary (Used)	00-ON	1	JF506E.PL12
816D	Front Planetary (Used).....	00-ON	1	JF506E.PL11
820E	High Clutch Piston	00-ON	1	JF506E.PIS04
821E	Reverse Clutch Piston	00-ON	1	JF506E.PIS01
822E	Drum, High & Reverse	00-ON	1	JF506E.DRU01
823E	Piston, 2-4 Brake (161.70mm I.D.).....	00-ON	1	JF506E.PIS05
	(164.30mm I.D.).....	00-ON	1	JF506E.PIS06
834H	Piston, Direct Clutch (5.20mm High)	00-ON	1	JF506E.PIS09
	(6.80mm High)	00-ON	1	JF506E.PIS07
	(8.40mm High)	00-ON	1	JF506E.PIS08
835H	Drum, Direct Clutch.....	00-ON	1	JF506E.DRU02
836H	Reduction One Way Clutch (Used)	00-ON	1	JF506E.OWC11
839J	Servo Cover, Aluminium (Bolt in Type Galaxy, VW, Seat)	00-ON	1	JF506E.SER03
839J	Servo Cover, Aluminium (Bolt in Type Mondeo/Mazda) ...	00-ON	1	JF506E.SER05
842J	Servo Cover Damper Piston (Bolt in Type Servo 20mm Boss VW/Ford/Mazda)...	00-ON	1	JF506E.SER04
847J	Rear Cover Assembly (Stamped 09A 321 827).....	00-ON	1	JF506E.COV01
847J	Rear Cover Assembly (Stamped 09A 321 827A).....	00-ON	1	JF506E.COV02
869J	Bottom Pan (VW/Galaxy).....	00-ON	1	JF506E.PAN01

ILL NO.	DESCRIPTION	YEARS	QTY	PART NO
HARD PARTS Cont...				
870J	Servo Cover, Aluminium (Circlip Type).....	00-ON	1	JF506E.SER01
871J	Servo Cover Damper Piston (Circlip Type Servo 25mm Boss Jaguar/Rover)	00-ON	1	JF506E.SER02
SPECIAL ITEMS				
900J	Oil Cooler Assy (Galaxy).....	00-ON	1	JF506E.COOL01
TOOLS & MANUALS				
NI	Mazda JA5A-EL Repair Manual (OEM)	00-ON		JF506E.MAN01
NI	JF506E Repair Manual (ATSG).....	00-ON		JF506E.MAN02
NI	JF506E Repair Manual Update (ATSG).....	00-ON		JF506E.MAN03
NI	Valve Body Reaming Fixture (Sonnax® Click Here for Info) ...	00-ON		AG4.VA05
Click here to view special tools for this transmission				
TRANSFER CASES & PARTS				
See Transfer Box Section				
SOLENOID IDENTIFICATION				
No.	Colour	Description	VW/Audi Designation	
700	Green	Line Pressure	N93	
701	Brown	Shift Sol 'B'	N89	
702	Green	Shift Sol 'C'	N92	
703	Black	Low Clutch Timing	N90	
704	Brown	Shift Sol 'A'	N88	
705	White	Reduction Timing	N281	
706	Black	Lock Up	N91	
707	Black	2-4 Brake Timing	N282	
708	White	2-4 Brake Duty	N283	