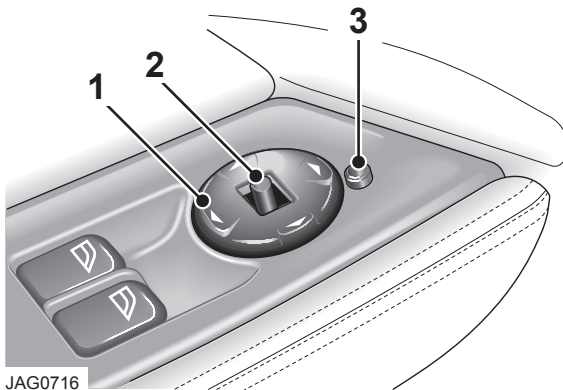


Mirrors

DOOR REAR-VIEW MIRRORS



Both door mirrors are adjusted from the driver's door switchpack. The four-way adjustment button (1) moves the mirrors to the required position. The selector switch (2) selects the mirror to be moved, left for the left-hand side mirror and right for the right-hand side mirror. When the selector switch is in the centre position, adjustment to either mirror is inhibited.

Each mirror housing, except the power fold back door mirror, is designed to pivot against the vehicle upon impact. To return the mirror to its normal position, reposition the housing until it locks into place.

Mirror heating

The door mirrors have heating elements which work when the rear screen heater is switched on. The mirror heater will clear all ice from the mirror surface.

Caution: Do not use a scraper to remove ice from the mirrors as this will damage the surface.

Power fold back (Where fitted)

To assist parking by reducing the overall vehicle width, the door mirrors can be folded inwards.

The button (3) is located in the driver's door window switchpack and will operate the mirrors when the starter switch is in any position except off.

To fold the mirrors inwards press the button. A second press of the button returns the mirrors to their normal driving position.

Note:

- *If the button is pressed repeatedly, a thermal cut-out will prevent damage to the vehicle's electronics. If this occurs, wait for five minutes for the cut-out to reset, before operating the button.*
- *If the thermal cut-out operates and leaves the mirrors in the folded position, the mirrors can be folded outwards manually.*
- *If the door mirrors are repositioned manually (or are knocked out of position), the mirror head will be loose. To re-engage the mechanism, power the mirror to the foldback position, then outwards to the drive position.*



WARNING:

Do not drive the vehicle with the door mirrors in the folded position, except when parking.