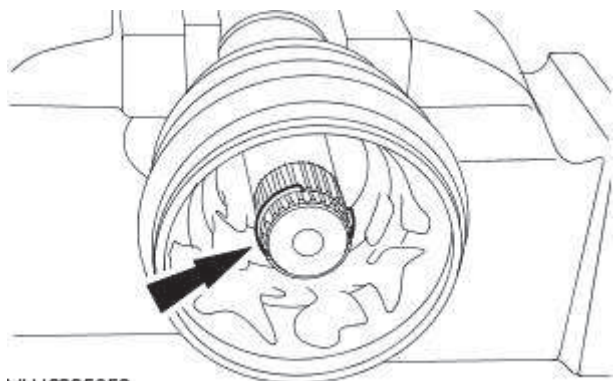


VUJ0005651

1. Install the outer CV joint boot.

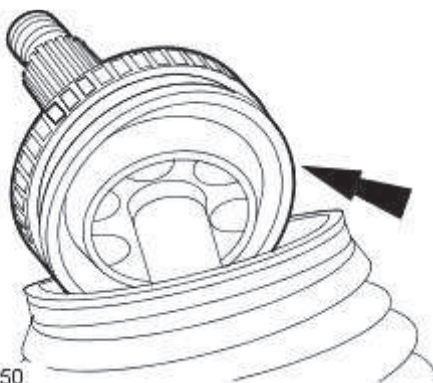
- Install a new retaining clip.
- Using a suitable tool, install the retaining clip.



VUJ0005652

2. Install the new retaining clip.

- Install a new retaining clip.
- Using a suitable tool, install the retaining clip.



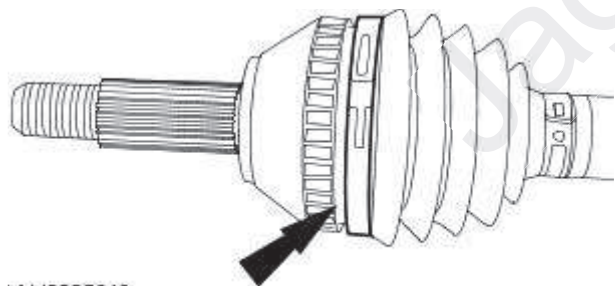
VUJ0005650

3.  CAUTION: Make sure the CV joint ball bearings do not drop out of the CV joint.

- NOTE: Use a CV grease meeting Jaguar specification.

Install the outer CV joint.

- Fill the outer CV joint and outer CV gaitor with grease.



VUJ0005649

4. Install the new retaining clip.

- Using a suitable tool, install the retaining clip.

5. Remove the halfshaft from the clamp.

6. Install the halfshaft.

For additional information, refer to: [Rear Halfshaft](#) (205-05 Rear Drive Halfshafts, Removal and Installation).