

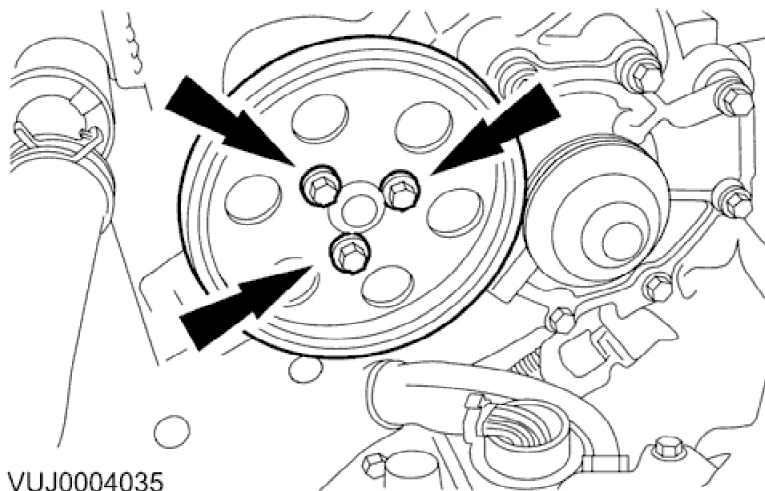
## Water Pump Housing 26.50.07

Drain the cooling system. For additional information, refer to <<Cooling System Draining, Filling and Bleeding>>.

2. Lower the vehicle.

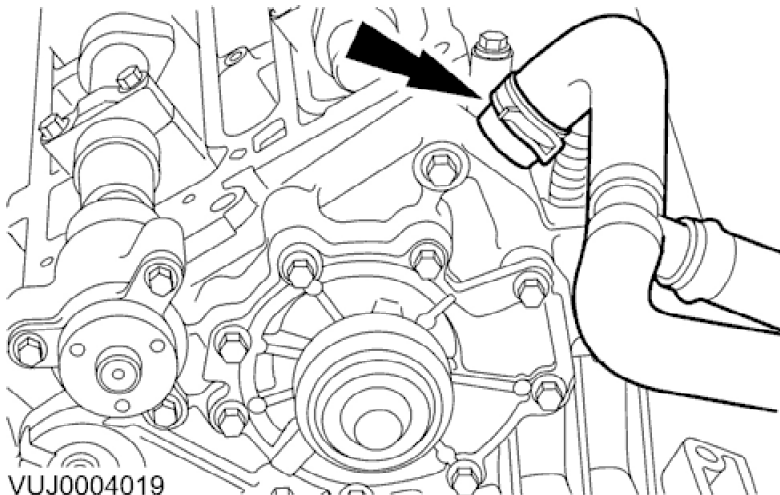
3. Remove the water pump belt tensioner. For additional information, refer to <<303-05>>.

4. Remove the left-hand valve cover. For additional information, refer to <<303-01>>.



VUJ0004035

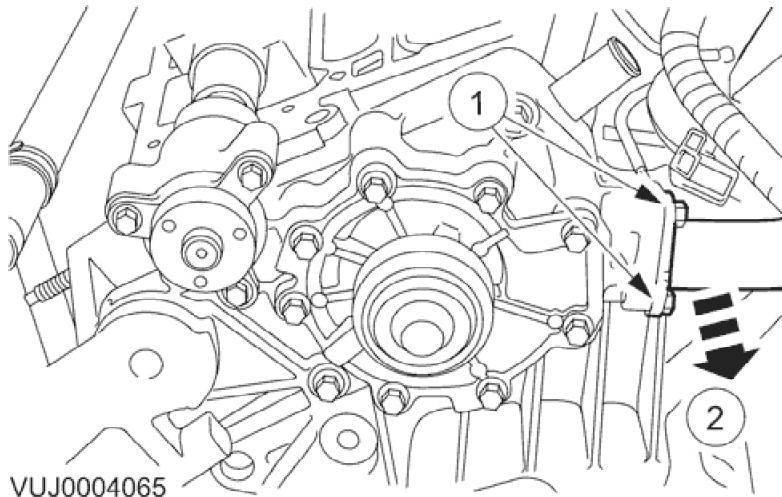
5. Remove the water pump drive pulley.



VUJ0004019

6. Detach the coolant expansion tank outlet hose from the water pump housing.

## 2004 X-TYPE - Engine Cooling - 303-03



7. Remove the water pump coolant outlet pipe.
  - Remove and discard the seals.

