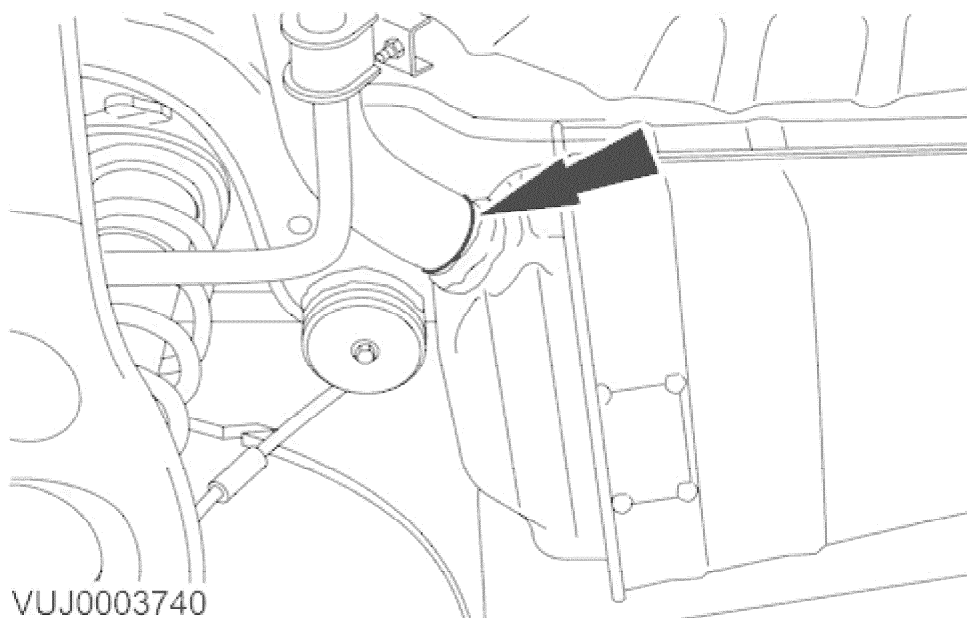


Muffler and Tailpipe 30.10.52

Removal

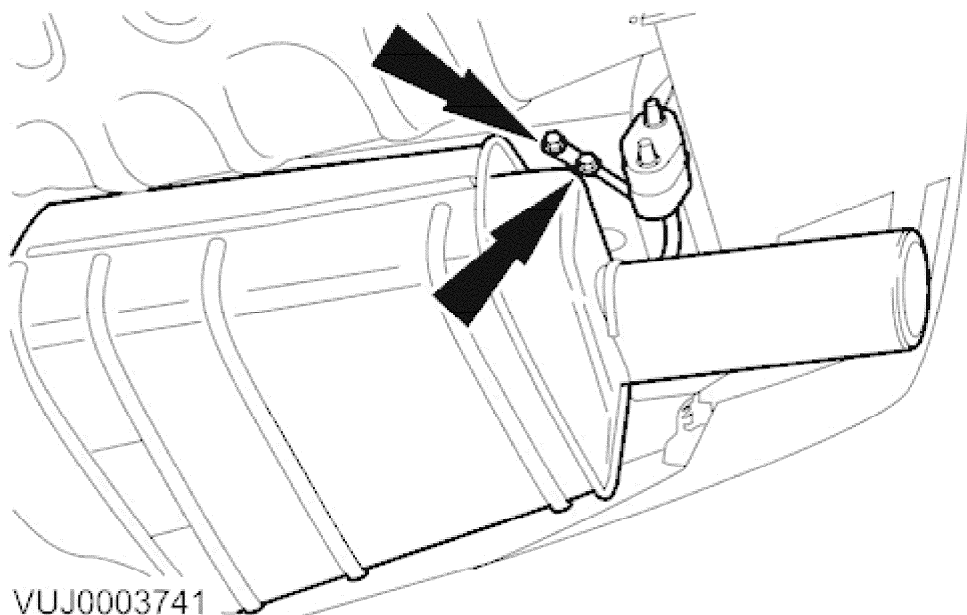
1. Raise and support the vehicle. <<100-02>>[Lifting]



2. **NOTE:**

Right-hand shown, left-hand similar.

Cut the rear muffler 'Y' pipe in front of the welded joint.



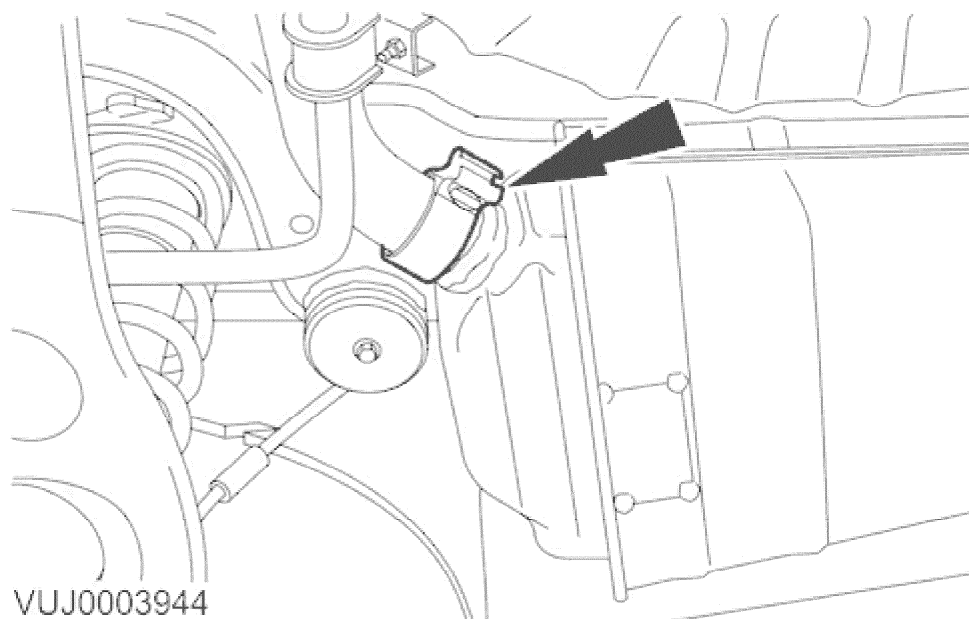
3. **NOTE:**

Right-hand shown, left-hand similar.

Remove the muffler and tailpipe.

- Remove the exhaust hanger and isolator.

Installation



CAUTION:

The exhaust hanger isolators are constructed of a special material. Use only the correct specification exhaust hanger isolators. Failure to follow this instruction may result in damage to the component.

NOTE:

Check the exhaust hanger isolators for damage or fatigue. Install new exhaust hanger isolators if required.

NOTE:

Make sure the rear muffler 'Y' pipe does not have any burrs.

NOTE:

Make sure the muffler and tailpipe is central to the bumper aperture.

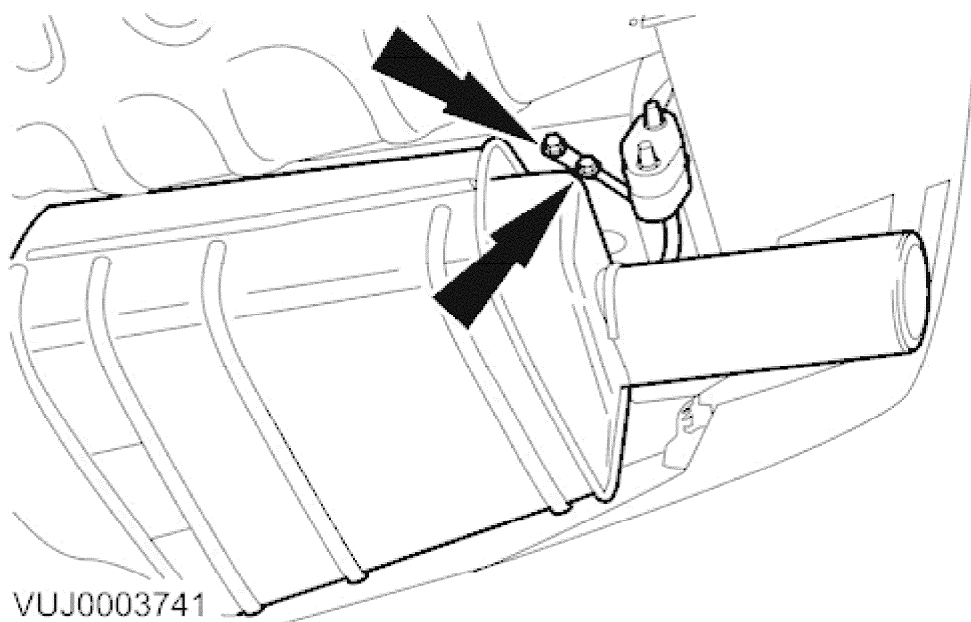
NOTE:

Right-hand shown, left-hand similar.

Install the muffler and tailpipe.

- Tighten to 55 Nm.

2002 X-TYPE - Exhaust System - 309-00



VUJ0003741

2. NOTE:

Right-hand shown, left-hand similar.

Tighten to 25 Nm.