

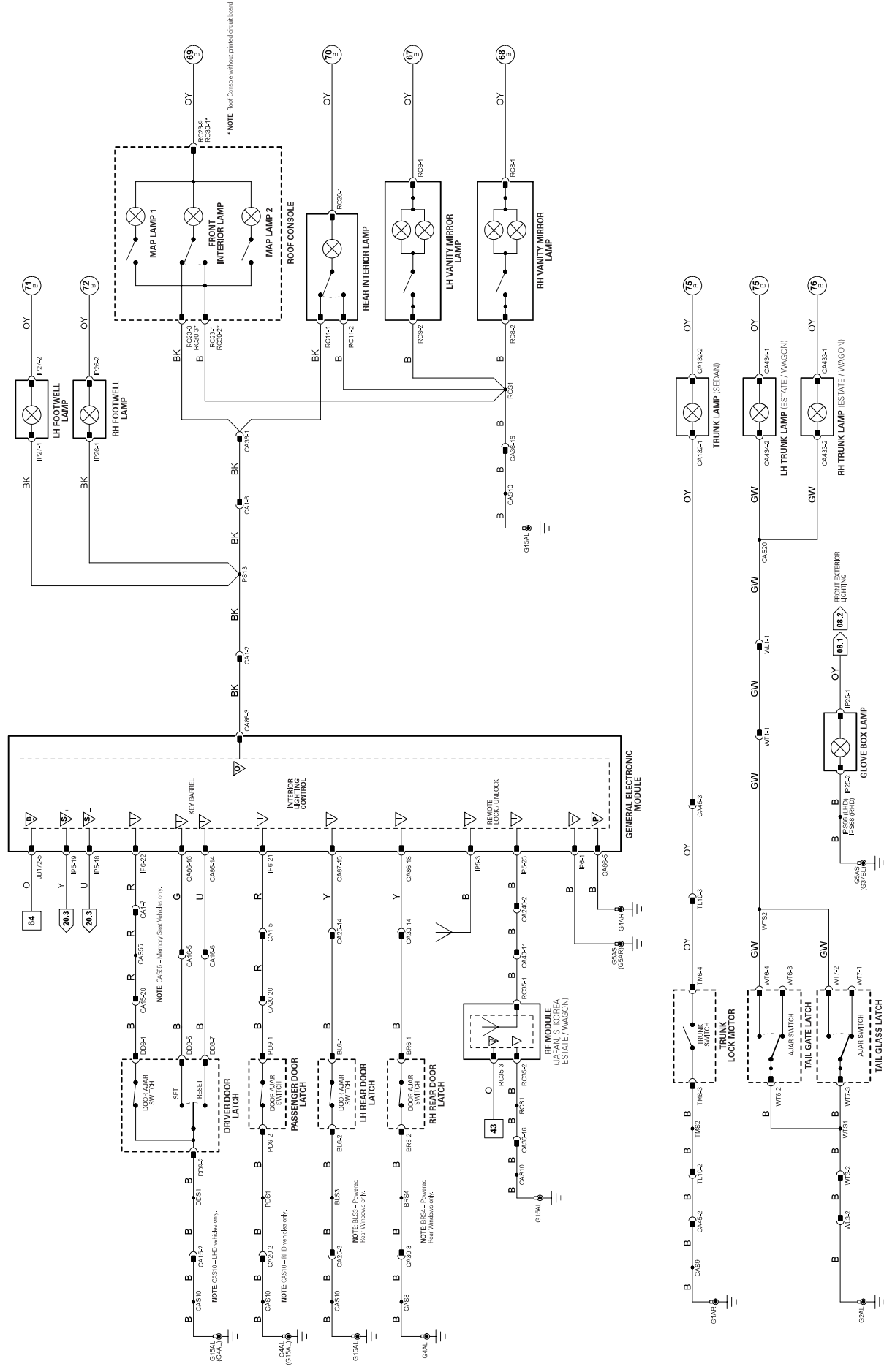
**NOTE:** "Battery Saver" provides automatic switch-off of the Courtesy Lamps after 10 minutes and automatic switch-off of the Demand Lighting and Audible Warning after 30 minutes. GEM pins are attached when the Ignition Key has been switched to the I (Accessory) or 0 (Off) position. When the timer expires at 10 and 30 minutes, the feature(s) is/are switched off.

(When one of the following actions is detected, all features are enabled, and the Battery Saver becomes active.)

- The Ignition is switched to I (run) or II (start).
- Any door or trunk lid becomes ajar or is opened.
- Any unlock is activated.

Battery Saver is also active when GEM diagnostic mode is entered.

1	Fig. 01.1	74	Fig. 01.3	11	Fig. 01.5	18	Fig. 01.7	26	Fig. 01.9	Input	Battery Voltage	CAN	D2B Network	VARIANT: All Vehicles
2	Fig. 01.2	75	Fig. 01.4	12	Fig. 01.6	19	Fig. 01.8	27		Output	Power Ground	SCP	Serial and Encoded Data	VIN RANGE: All
3		76		13		20		28						DATE OF ISSUE: August 2003



1

8

Fig. 01.1

2

Fig. 01.2

3

Fig. 01.3

4

Fig. 01.4

5

Fig. 01.5

6

Fig. 01.6

7

Fig. 01.7

8

Fig. 01.8

9

Fig. 01.9

10

Fig. 01.10

11

Fig. 01.11

12

Fig. 01.12

13

Fig. 01.13

14

Fig. 01.14

15

Fig. 01.15

16

Fig. 01.16

17

Fig. 01.17

18

Fig. 01.18

19

Fig. 01.19

20

Fig. 01.20

21

Fig. 01.21

22

Fig. 01.22

23

Fig. 01.23

24

Fig. 01.24

CAN D2B Network

Sensor/Signal Supply V

Battery Voltage

Input

Output

Sensor/Signal Ground

Serial and Encoded Data

VARIANT: All Vehicles  
VIN RANGE: All  
DATE OF ISSUE: August 2003