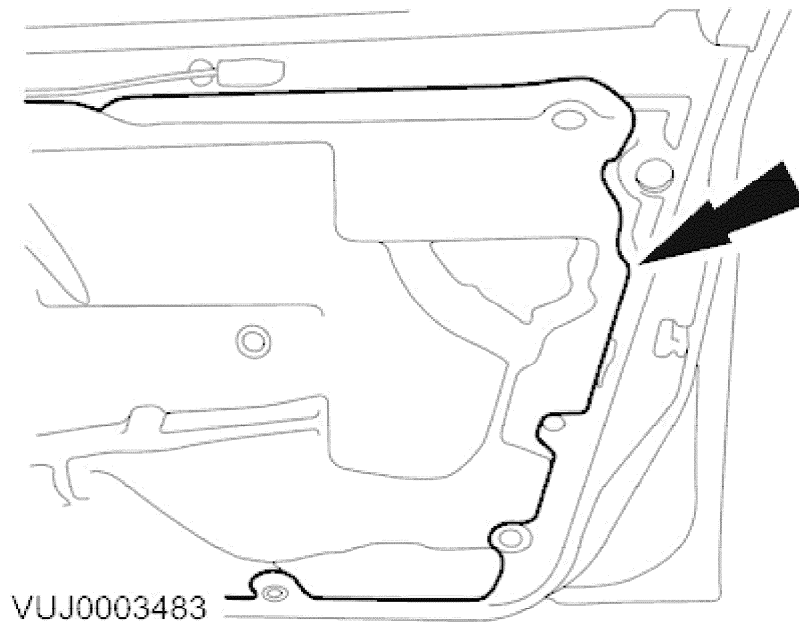


## Front Door Lock Actuator 76.37.74

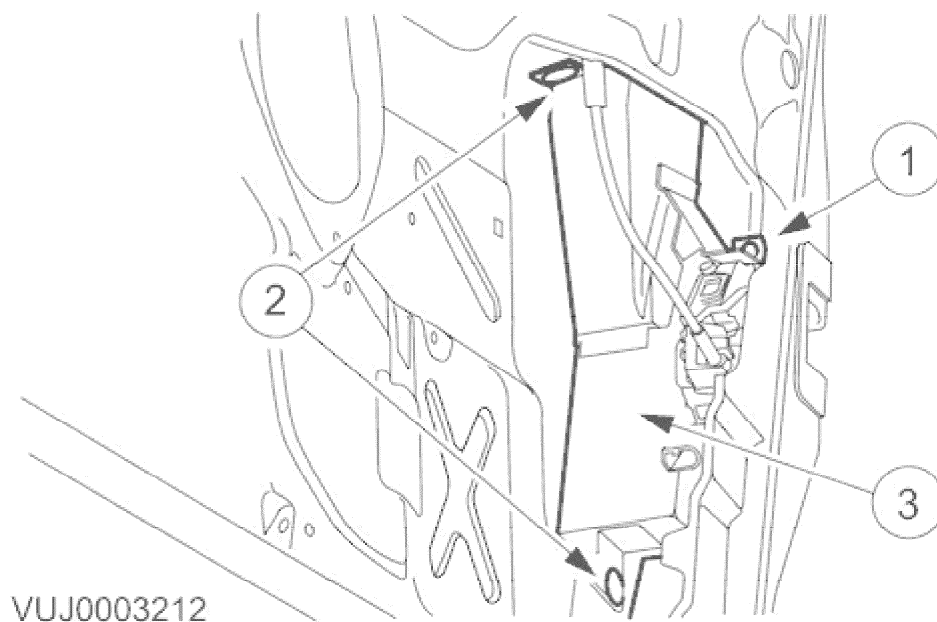
### Removal

1. Remove the front door trim panel. For additional information, refer to<<501-05>>.



2.  **CAUTION:**  
Do not touch the adhesive surface as re-bonding will be impaired.

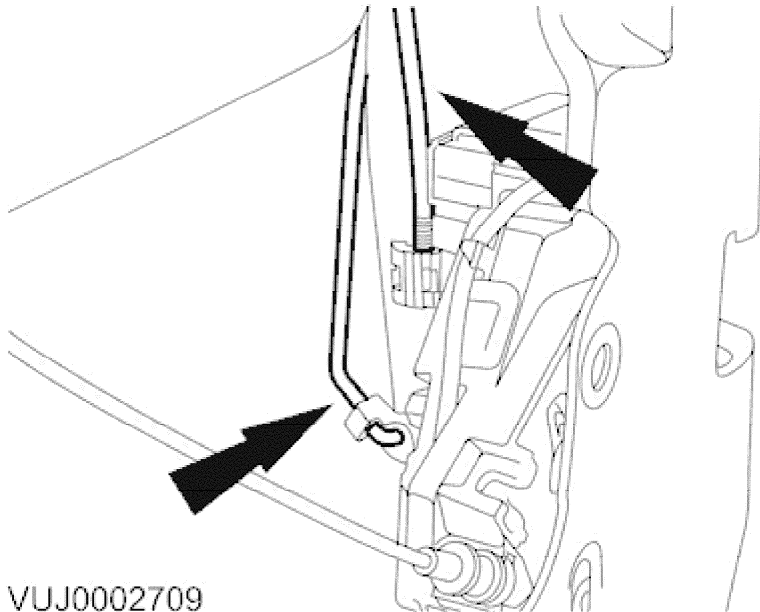
Peel back the weathershield.



3. Remove the door security shield.
1. Remove the retaining screw.

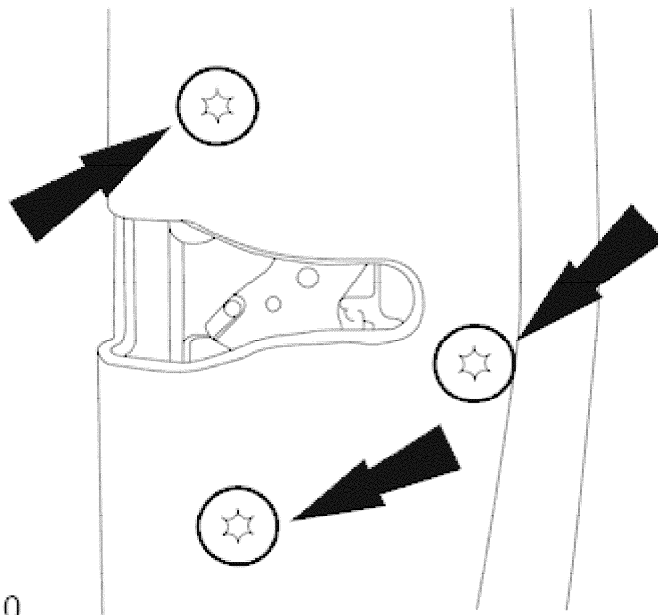
## 2004.25 X-TYPE - Handles, Locks, Latches and Entry Systems - 501-14

2. Remove and discard the retaining clips.
3. Remove the door security shield.



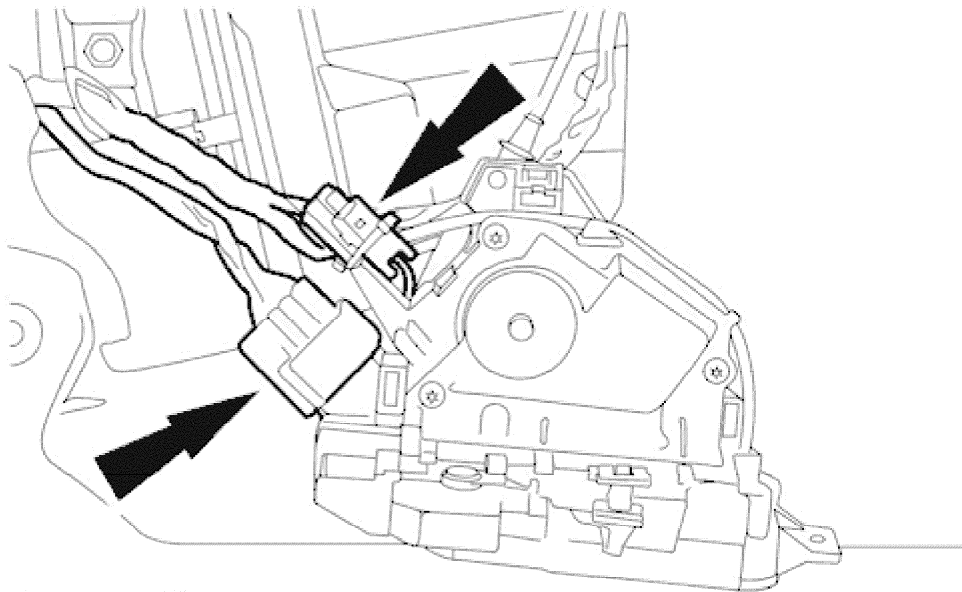
VUJ0002709

4. Disconnect the front door exterior handle connecting rod and the door lock cylinder connecting rod.



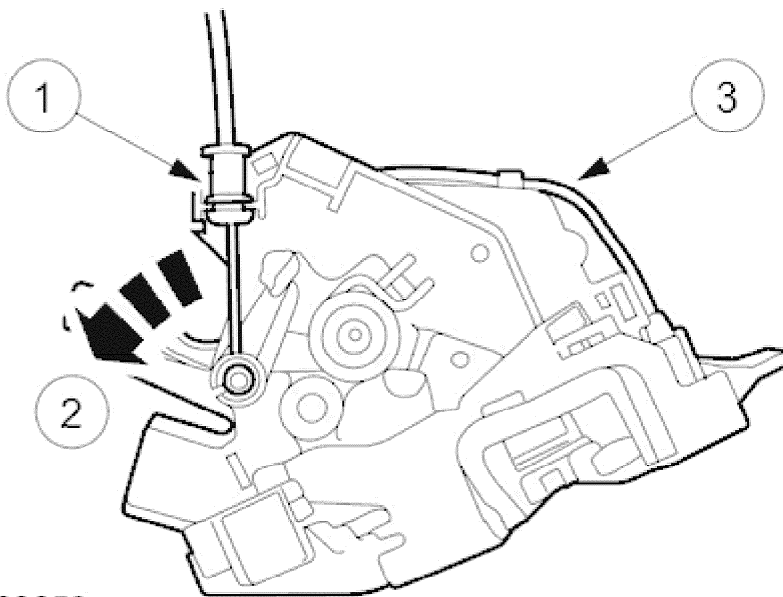
VUJ0002710

5. Detach the front door latch.



VUJ0002711

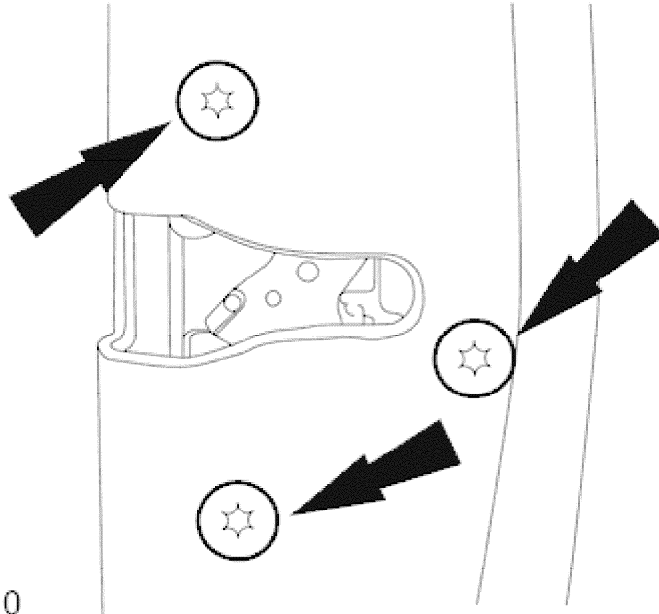
6. Disconnect the front door latch actuator electrical connectors.



VUJ0003253

7. Remove the front door latch actuator.
1. Detach the front door latch actuator release cable.
  2. Disconnect the front door latch actuator release cable.
  3. Remove the front door latch actuator.

## Installation



VUJ0002710

1. **NOTE:**

Install new front door security shield retaining clips.

To install, reverse the removal procedure.

- Tighten to 7 Nm.