

## Transmission Selector Lever 44.15.04

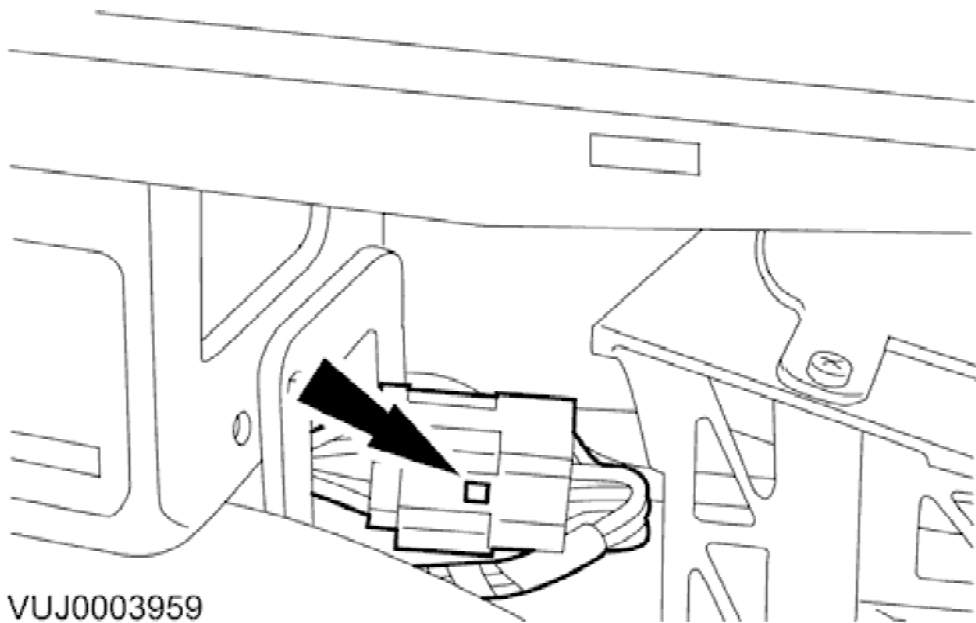
### Removal

1. **NOTE:**

To move the gear selector lever, the ignition must be in the RUN position, with the foot brake pressed.

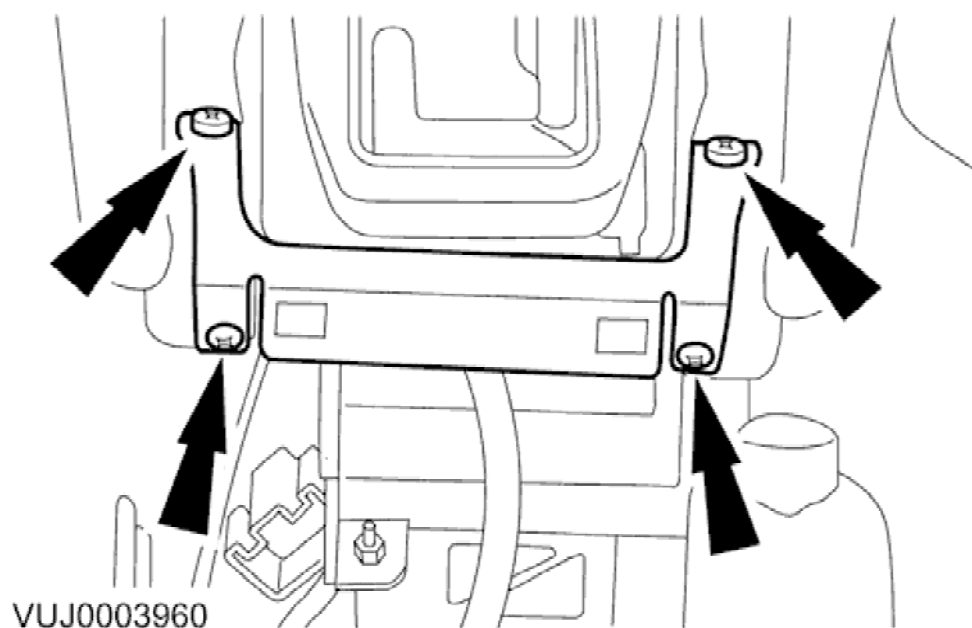
Move the gear selector lever to the 'N' position.

2. Remove the center console. For additional information, refer to <<501-12>>.



VUJ0003959

3. Disconnect the electrical connector.

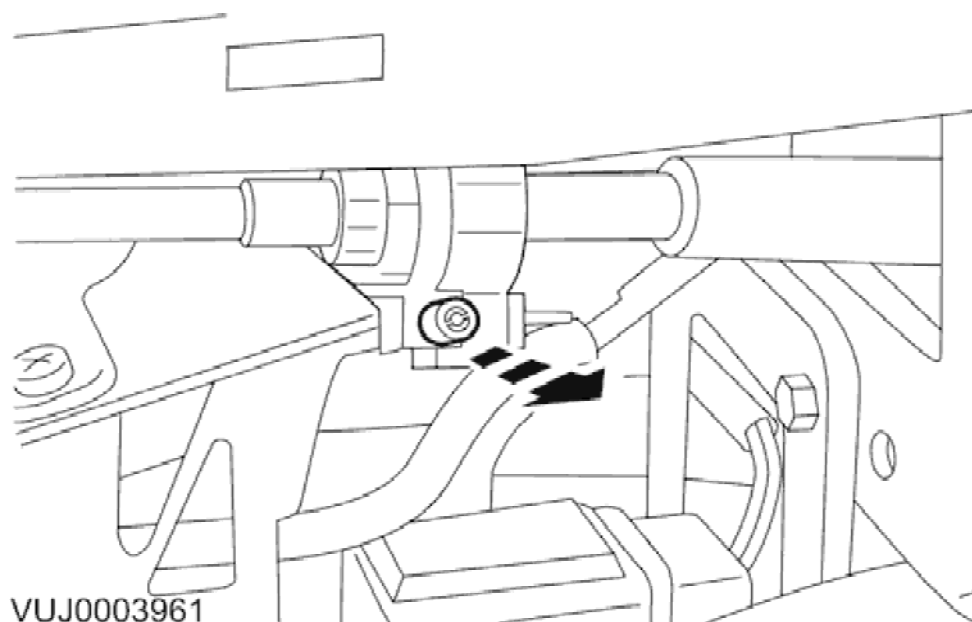


VUJ0003960

**4. NOTE:**

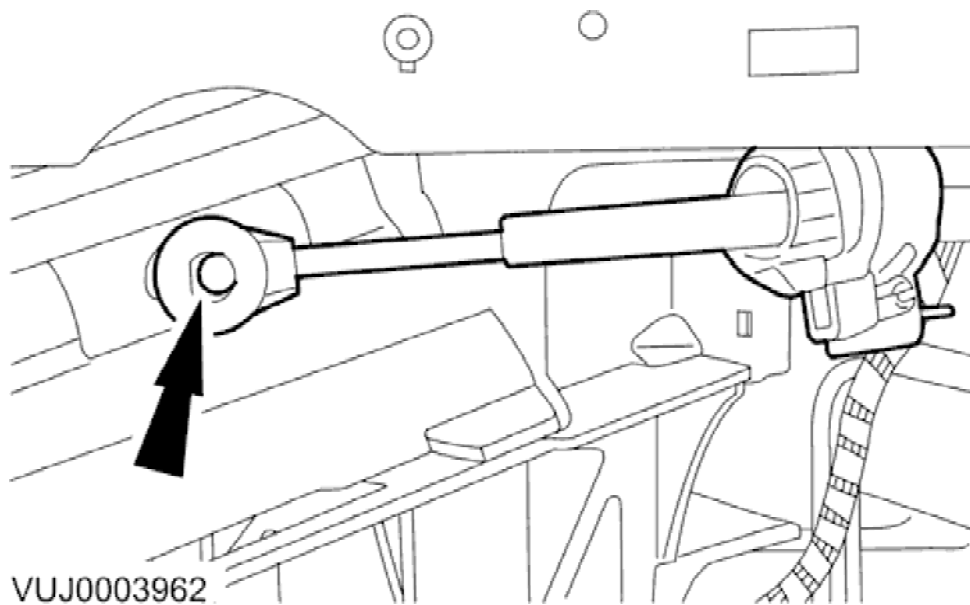
The center console bracket cannot be removed at this stage.

Remove the center console bracket retaining screws.

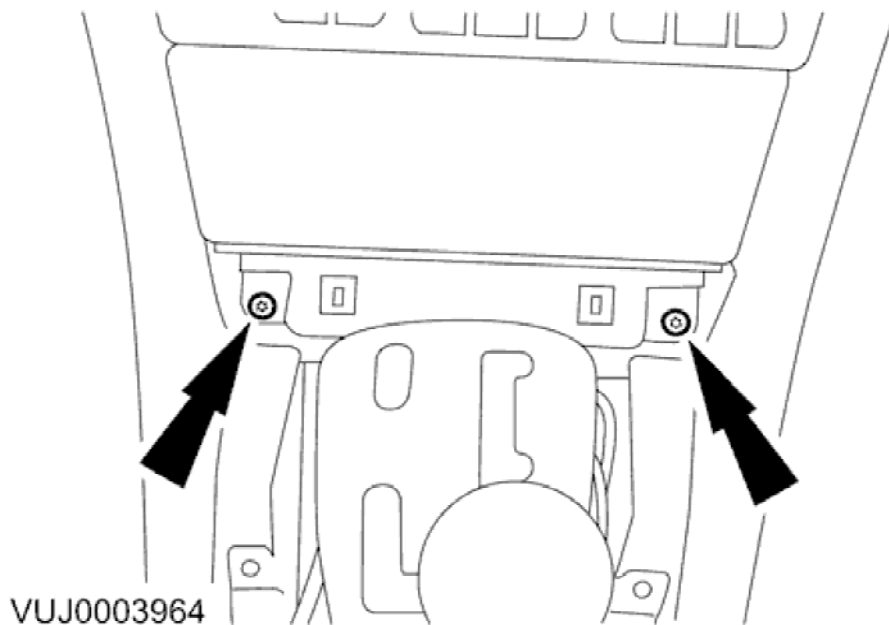


VUJ0003961

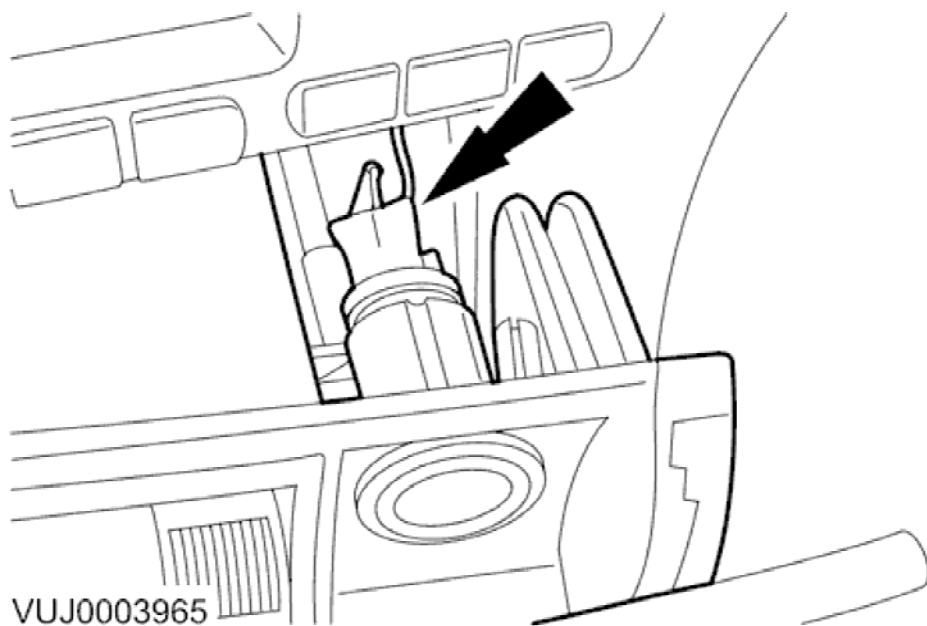
5. Release the gear selector cable locking pin.



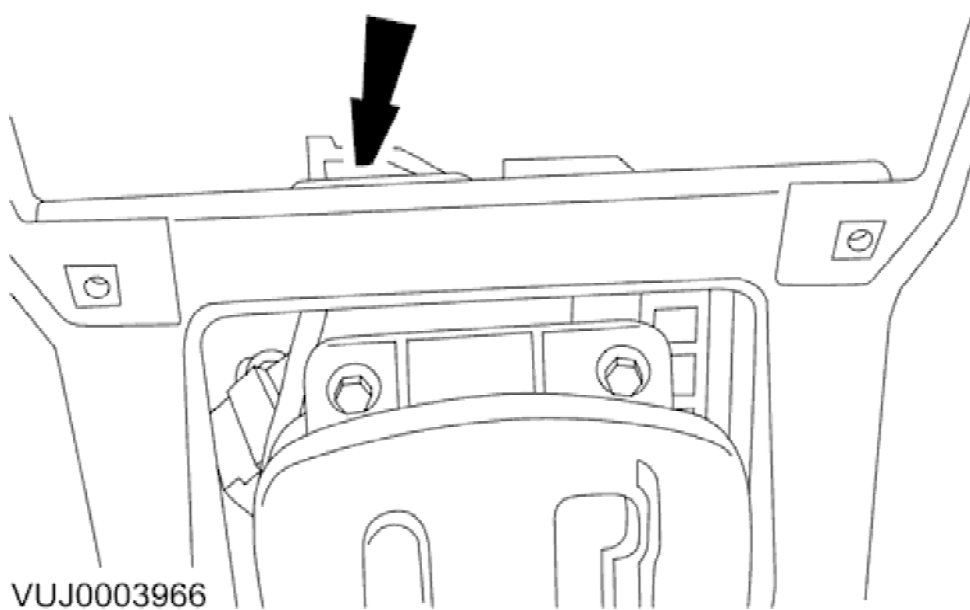
6. Disconnect the gear selector cable from the J-gate.



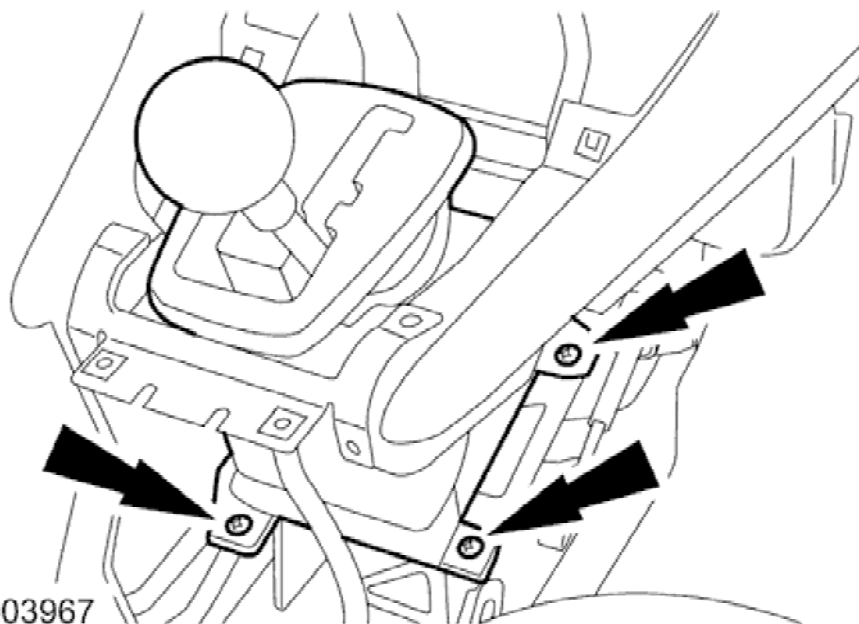
7. Remove the ashtray retaining screws.



8. Remove the ashtray.
- Disconnect the electrical connectors.



9. Remove the J-gate retaining screw.



VUJ0003967

10. Remove the J-gate.

#### Installation

1. To install, reverse the removal procedure.