



TECHNICAL BULLETIN

No: JTB00183
Issue: 1
Date: 07 JAN 2010

CIRCULATE TO:

Service
✓

Parts
✓

Warranty
✓

Body Shop

SECTION: 412

Air Conditioning System Not Cooling Sufficiently

AFFECTED VEHICLE RANGE:

S-TYPE (X200) 3.0L V6 only

VIN: L00600 - N90324

Model Year: 2000 - 2008

X-TYPE (X400)

VIN: C00344 - J38794

Model Year: 2002 - 2008

CONDITION SUMMARY:

Situation: The air conditioning (A/C) system may exhibit insufficient cooling. This may be due to the degradation of control valve operation, preventing the system from delivering full functional potential.

Action: In the event of a customer concern of the above, refer to the Repair Procedure outlined below, after confirming correct refrigerant level, to modify the compressor valve spring.

PARTS:

XR8 1342Compressor O-ring seal Qty: 1

TOOLS:

Refer to Workshop Manual (GTR) for any required special tools

WARRANTY:



NOTE: Repair procedures are under constant review, and therefore times are subject to change; those quoted here must be taken as guidance only. Always refer to DDW to obtain the latest repair time.

DDW requires the use of causal part numbers. Labor only claims must show the causal part number with a quantity of zero.

Description	SRO	Time (hours)	Condition Code	Causal Part
Compressor Valve Spring Modification - S-TYPE - VIN L00600 - M44997	82.91.34	0.20	42	C2S 47472
Compressor Valve Spring Modification - S-TYPE - VIN M44998 - N90324	82.91.34	0.40		
Compressor Valve Spring Modification - X-TYPE - VIN C00344 - J38794	82.91.34	0.20		
AC System Recover, Recycle and Regas	82.30.30	0.40		

Normal warranty policy and procedures apply.

NOTE: The information in Technical Bulletins is intended for use by trained, professional Technicians with the knowledge, tools, and equipment required to do the job properly and safely. It informs these Technicians of conditions that may occur on some vehicles, or provides information that could assist in proper vehicle service. The procedures should not be performed by 'do-it-yourselfers'. If you are not a Dealer, do not assume that a condition described affects your vehicle. Contact an authorized Jaguar service facility to determine whether this bulletin applies to a specific vehicle.

REPAIR PROCEDURE

MODIFY AIR CONDITIONING COMPRESSOR VALVE SPRING



**NOTE: Global Technical Reference (GTR) lookup sequence is as follows:
GTR Home > NAS > Model > Service Information > Model Year > Workshop Manual**

1. Refer to Workshop Manual (GTR) section 412-00 and recover the Air Conditioning (A/C) system.
2. Refer to Workshop Manual (GTR) section 100-02 and raise and support the vehicle.



NOTE: S-TYPE vehicles from VIN M44998 only.

3. For S-TYPE vehicles from VIN M44998 only, refer to Workshop Manual (GTR) section 501-02 and remove the front air deflector.



CAUTION: Ensure the area around the A/C compressor is clean and free of foreign material.



NOTE: Position a cloth to collect possible fluid spill.



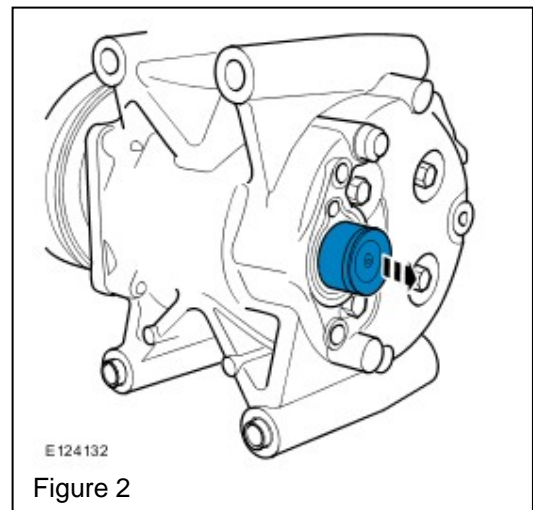
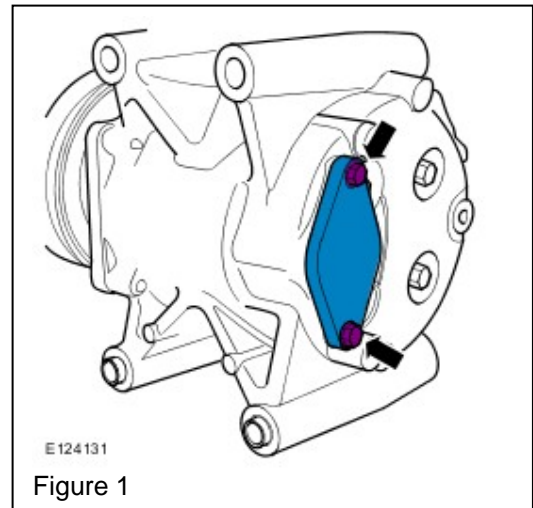
NOTE: A/C compressor shown removed for clarity. Note the position of the cover. (Figure 1)

4. Remove the A/C compressor valve cover:
 - Remove the two bolts.

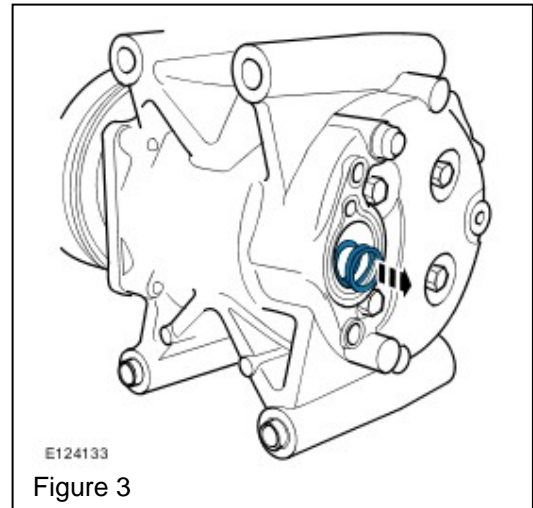


NOTE: Note position of the A/C compressor valve. (Figure 2)

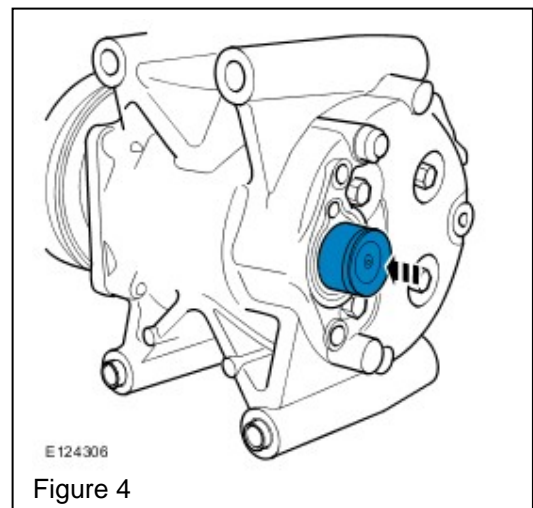
5. Remove the A/C compressor valve. (Figure 2)



6. Remove the A/C compressor valve spring. (Figure 3)




7. Install the A/C compressor valve. (Figure 4)



8. Install the A/C compressor valve spring. (Figure 5)

9. Inspect the A/C compressor O-ring seal; replace if necessary.

 **CAUTION: Ensure the mating faces are clean and free of foreign material.**

 **NOTE: Ensure A/C compressor valve cover is correctly positioned.**

10. Install the A/C compressor valve spring cover:

- Evenly and progressively tighten the bolts to **15Nm (11 lbf ft)**. (Figure 1)

 **NOTE: S-TYPE vehicles from VIN M44998 only.**

11. For S-TYPE vehicles from VIN M44998 only, refer to Workshop Manual (GTR) section 501-02 and install the front air deflector.

12. Refer to Workshop Manual (GTR) section 100-02 and lower the vehicle.

13. Refer to Workshop Manual (GTR) section 412-00 and evacuate and charge the A/C system.

