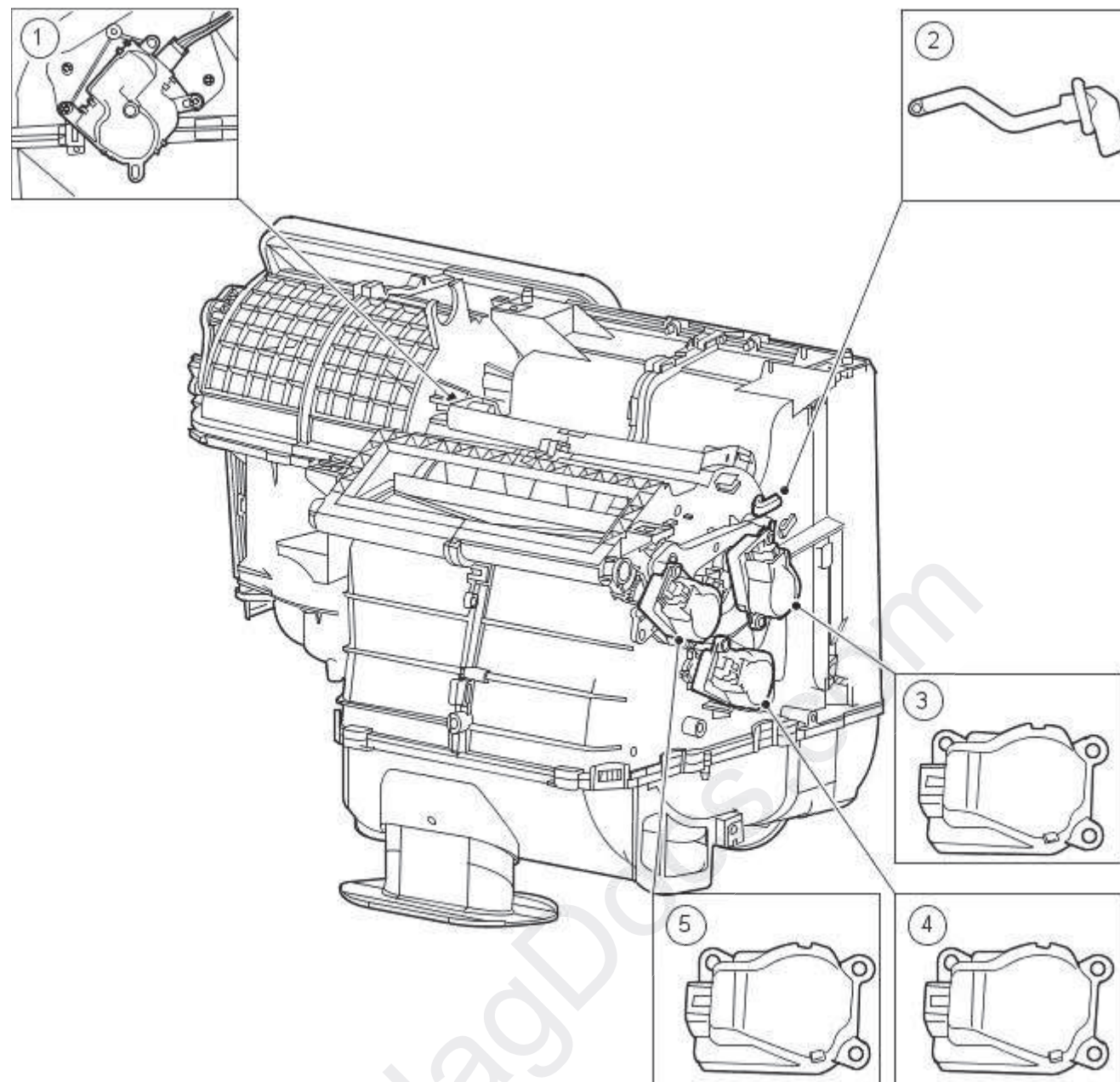


Control Components - Control Components

Description and Operation



VUJ0004796

Item	Part Number	Description
1	—	Air inlet blend door actuator
2	—	Air discharge temperature sensor
3	—	Defrost vent/register blend door actuator
4	—	Temperature blend door actuator
5	—	Footwell vent/duct blend door actuator

Automatic climate control with touch screen