

JAGUAR X-TYPE 2002-05

FRONT INNER STRUCTURE Cont'd

ELECTRICAL COMPONENTS Cont'd

6	Upper	C2S004243		.1	20.45
7	Center	C2S007914	m		10.00
8	Lower	C2S004439	m		20.85
9	Puller, Fuse	JLM020898			1.00
10	Box, Junction	C2S027465	m		90.50

AIR BAG SYSTEM

Use Procedure Explanation 30 with the following text.

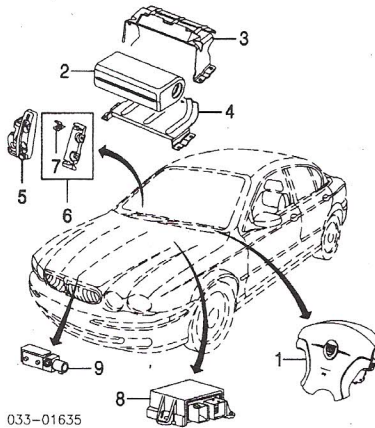
NOTE 1: R&R Does Not include disable and enable or diagnose Air Bag System.

NOTE 2: Refer to Procedural Explanation 30 for Supplemental Restraint/Air Bag System Component Inspection and Replacement Information.

NOTE 3: For Air Bag System Service procedures, refer to Manufacturer's Service Repair Manual or Mitchell's Air Bag Service and Repair Manual.

FRONT

Disable & Enable Air Bag System	m	.3
Diagnose Air Bag System (If Required)	m	#1.7
<i>#Includes R&R Driver Air Bag Module, Glove Box and Disconnect & Connect Scan Tool & Retrieve/Clear Trouble Codes</i>		



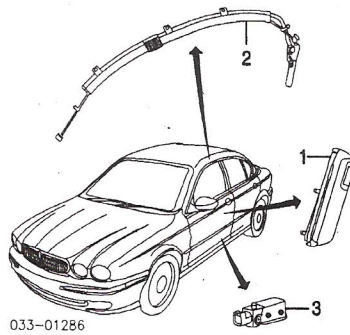
1 Module, Driver Air Bag					
Charcoal					
To VIN D40325	C2S030446LEG	m	.3	740.00	
From VIN D40326	C2S030446LEG	m	.3	740.00	
Granite					
To VIN D07699	C2S030446LGP	m	.3	740.00	
From VIN D07700 to VIN D40325	C2S030446LGP	m	.3	740.00	
From VIN D40326	C2S030446LGP	m	.3	740.00	
Mocha	C2S030446AMB	m	.3	740.00	
Sable					
To VIN D40325	C2S030446AEK	m	.3	780.00	
From VIN D40326	C2S030446AEK	m	.3	780.00	
2 Module, Pass Air Bag					
Bracket, Pass Air Bag					
Upper	C2S015428			43.00	
Lower	C2S002301			43.00	
5 Bracket Assy, Air Bag Module					
Passenger Side					
To VIN D55321	C2S017090			13.80	
From VIN D55322	C2S034660			13.45	
6 Clip, Pass Air Bag Brkt (2)	C2S011718			.90	
<i>#Included w/Air Bag Module Bracket Assy</i>					
7 Lamp, Air Bag Warning					
To VIN D38906	C2S016172	m	.5	24.70	
From VIN D38907	C2S027388	m	.5	23.65	
8 Module, Restraint Control (a)					
<i>(a) Order by Application</i>					
<i>#w/Center Console Removed</i>					
Sensor, Front	C2S042264		#.2	282.00	
<i>#w/Grille Removed</i>					

SIDE

Disable & Enable Air Bag System	m	.3
Diagnose Air Bag System (If Required)	m	#1.7
<i>#Includes R&R Driver Air Bag Module, Glove Box and Disconnect & Connect Scan Tool & Retrieve/Clear Trouble Codes</i>		

Illustration Located in Next Column

1 Module, Seat Air Bag					
R	C2S017331	m	#.4	800.00	
L	C2S017332	m	#.4	755.00	

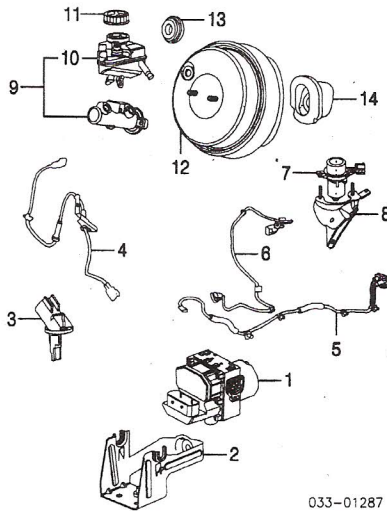


<i>#w/Front Seat Back Cover Removed</i>					
2 Module, Side Curtain Air Bag					
Sedan	R/L C2S023384-5	m	#1.2	760.00	
Wagon	R/L C2S019663-4	m	#1.2	1010.00	
<i>#w/Headliner Removed</i>					
3 Sensor, Side Air Bag (2/Side)					
To VIN D55321	R/L C2C023972	m	#.7	172.55	
From VIN D55322	R/L C2C023972	m	#.7	172.55	
<i>#w/Front Seat Assy Removed</i>					
Pretensioner, Seat Belt-See Seat Belts Section					

ABS/BRAKES

Bleed System	m	.6
--------------	---	----

NOTE: R&R Does Not include bleed brake system.



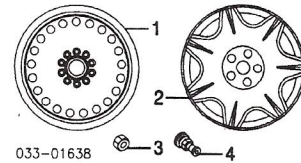
1 Module, ABS					
	C2S039162	m	1.7	2025.00	
2 Bracket, ABS Module					
	C2S017335	m	#.2	40.30	
<i>#w/ABS Module Removed</i>					
3 Sensor, Front ABS					
4 Harness, Front ABS					
To VIN D13881	R/L C2S026194	m		24.85	
From VIN D13882	R/L C2S029893	m		24.30	
5 Sensor, Rear ABS					
6 Harness, Rear ABS					
To VIN C01023	R/L C2S007530	m		30.55	
From VIN C01024 to C11406	R/L C2S017510	m		28.25	
From VIN C11407	R/L C2S023170	m		27.50	
7 Pump, Vacuum					
	C2S011294	m		91.80	
8 Brkt, Vacuum Pump					
<i>#w/Vacuum Pump Removed</i>					
9 Cylinder Assy, Master					
	C2S017220	m	1.2	277.00	
10 Reservoir, Brake Fluid					
	C2S016195	m	.8	119.50	
<i>#Included w/Master Cylinder Assy</i>					
11 Cap, Reservoir					
	C2S013235			11.20	
12 Booster, Brake					
To VIN D30420	C2S031057	m	#1.6	860.00	
From VIN D30421 to VIN D44087	C2S031057	m	#1.6	860.00	
From VIN D44088	C2S031057	m	#1.6	860.00	
<i>#Includes R&R Master Cylinder Assy</i>					
13 Seal, Brake Booster					
	C2S016177	m		4.50	
14 Boot, Brake Booster					
	C2S012391	m		d2.00	
	C2S011295	m	.7	138.55	

WHEEL

Use Procedure Explanation 10 with the following text.

STEEL WHEEL

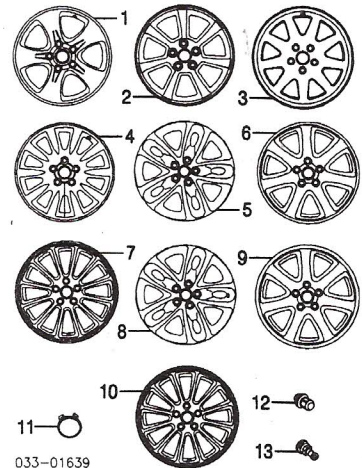
Refinish Wheel		.5
Add to R&I Spare Wheel & Tire Assy		.2



1 Wheel, Steel	C2S004975	.3	263.00
2 Cover, Wheel	C2S002450		47.95
3 Nut, Lug	C2S003280		3.80
4 Stem, Valve	XR8006367		7.60

ALLOY WHEEL

Add to R&I Spare Wheel & Tire Assy		.2
------------------------------------	--	----

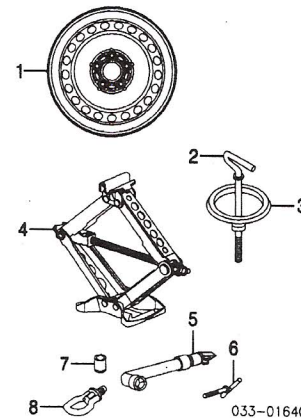


Wheel, Alloy			
16"			
1	5 Spoke	C2S002371	.3 347.00
2	7 Spoke	C2S027674	.3 343.00
3	9 Spoke	C2S027675	.3 343.00
4	10 Spoke	C2S002372	.3 347.00
17"			
5	5 Spoke	C2S031379	.3 412.00
6	7 Spoke	C2S026121	.3 412.00
7	12 Spoke	C2S039550	.3 400.00
18"			
8	5 Spoke	C2S016590	.3 775.00
9	7 Spoke	C2S025237	.3 775.00
10	12 Spoke	C2S035341	.3 740.00

#Order by Application

11 Cap, Center			
Black			
	C2S028254		18.70
Silver			
	C2C026061		18.70
12 Nut, Lug			
	C2S013886		13.60
13 Stem, Valve			
	XR8006367		7.60

SPARE WHEEL & HARDWARE



1 Wheel, Spare	C2S034339	284.00
-----------------------	-----------	--------