

PUBLISHED: 06-DEC-2018
2017.0 XF (X260), 303-03A

ENGINE COOLING - INGENIUM I4 2.0L DIESEL

THERMOSTAT [G1796011]

REMOVAL AND INSTALLATION

26.45.07	THERMOSTAT - ENGINE SET - RENEW	2000 CC, INGENIUM DIESEL	1.30	USED WITHINS	+
----------	---------------------------------------	--------------------------------	------	--------------	---

PART(S)

STEP	PART NAME	QUANTITY
Removal Step 6	EGR inlet pipe to EGR valve gasket	1
Removal Step 6	EGR pipe to intake manifold O-ring seal	1
Removal Step 15	Thermostat to cylinder block gasket	1

REMOVAL

NOTES:

- Removal steps in this procedure may contain installation details.
- Some variation in the illustrations may occur, but the essential information is always correct.

1. Refer to: [Startup Battery Disconnect and Connect](#) (414-01 Battery, Mounting and Cables, General Procedures).

2. Refer to: [Engine Cover - INGENIUM I4 2.0L Diesel](#) (501-05 Interior Trim and Ornamentation, Removal and Installation).

3.

WARNING:

Do not work on or under a vehicle supported only by a jack. Always support the vehicle on safety stands.

Raise and support the vehicle.

4. Refer to: [Cooling System Draining and Vacuum Filling](#) (303-03A Engine Cooling - INGENIUM I4 2.0L Diesel, General Procedures).

5.

NOTE:

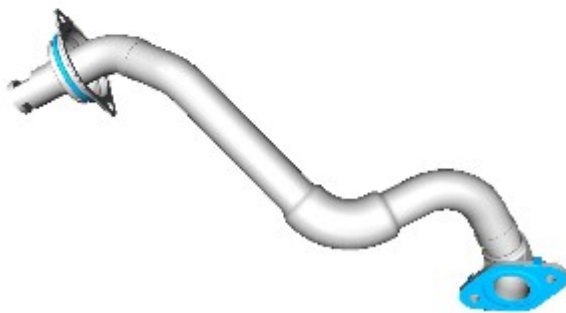
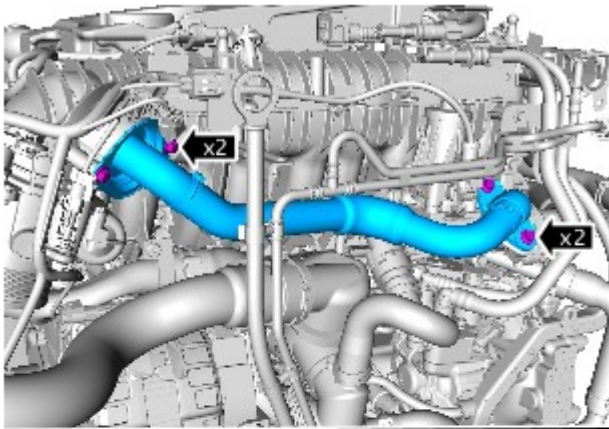
This step only applies to vehicles equipped with High Pressure (HP) Exhaust Gas Recirculation (EGR) system.

Refer to: [High Pressure Exhaust Gas Recirculation Cooler](#) (303-08A Engine Emission Control - INGENIUM I4 2.0L Diesel, Removal and Installation).

6.

NOTES:

- If equipped.
- Remove and discard the gasket.
- Remove and discard the O-ring seal.



E169220

Renew Part: [EGR inlet pipe to EGR valve gasket](#) Quantity: 1.

Renew Part: [EGR pipe to intake manifold O-ring seal](#) Quantity: 1.

Torque

EGR pipe to EGR valve bolts: **12Nm**

EGR pipe to Intake manifold bolts: **7Nm**

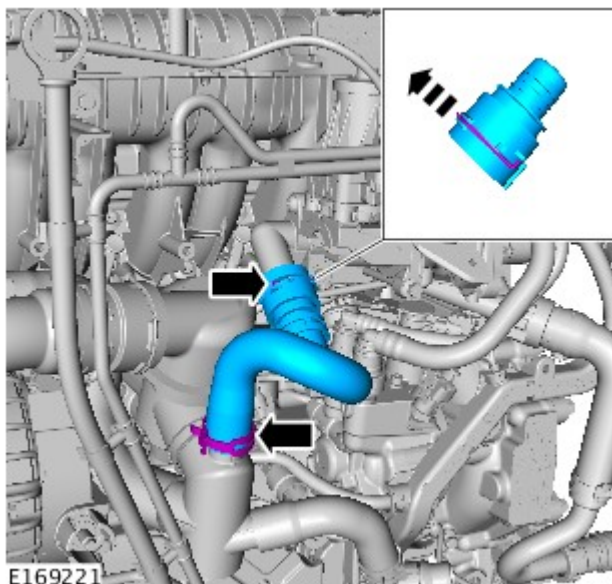
7.

CAUTION:

Be prepared to collect escaping coolant.

NOTE:

If equipped.



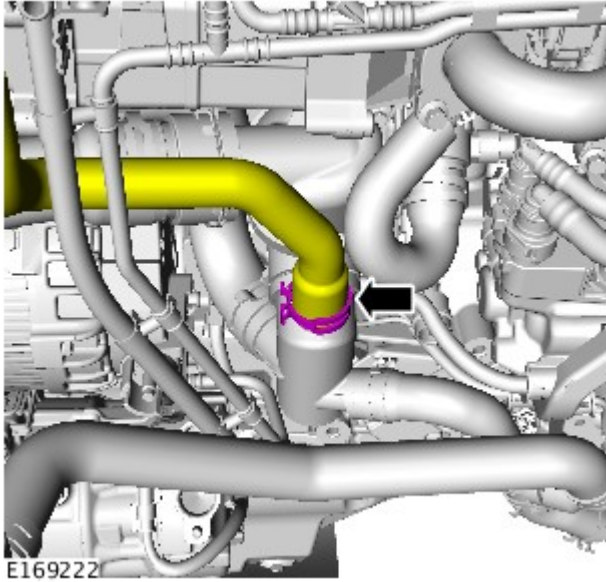
8.

CAUTION:

Be prepared to collect escaping coolant.

NOTE:

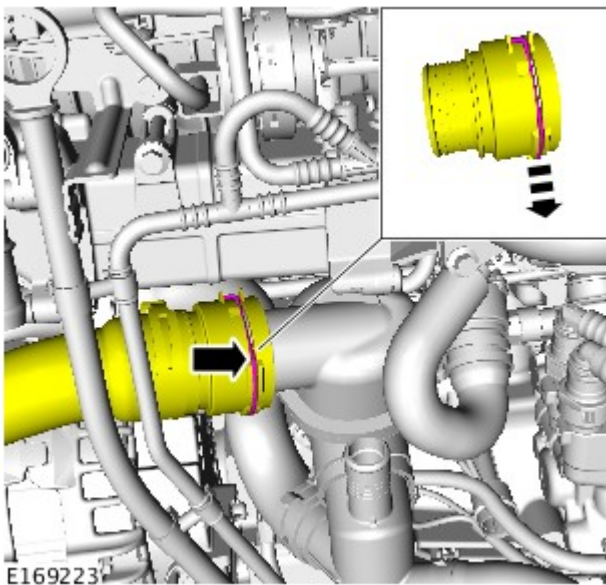
If equipped.



9.

CAUTION:

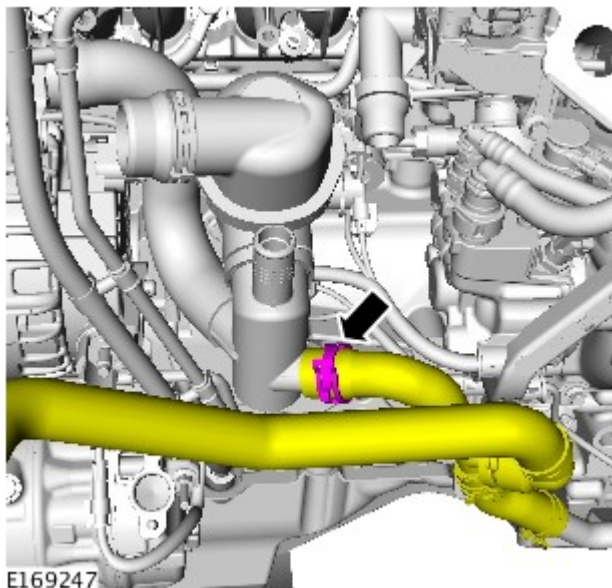
Be prepared to collect escaping coolant.



10.

CAUTION:

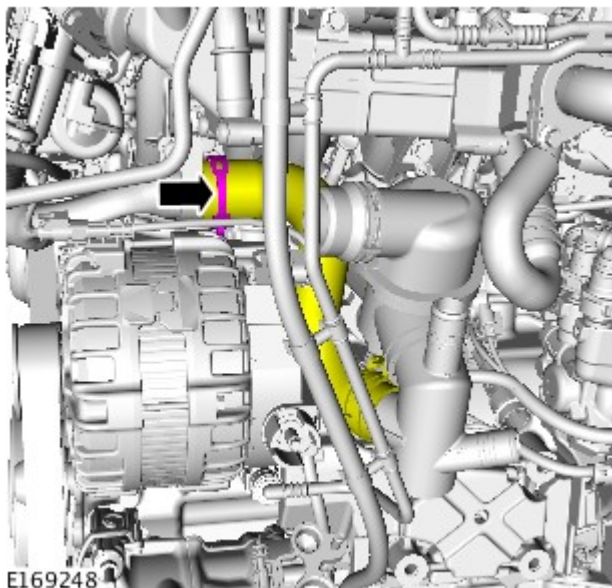
Be prepared to collect escaping coolant.



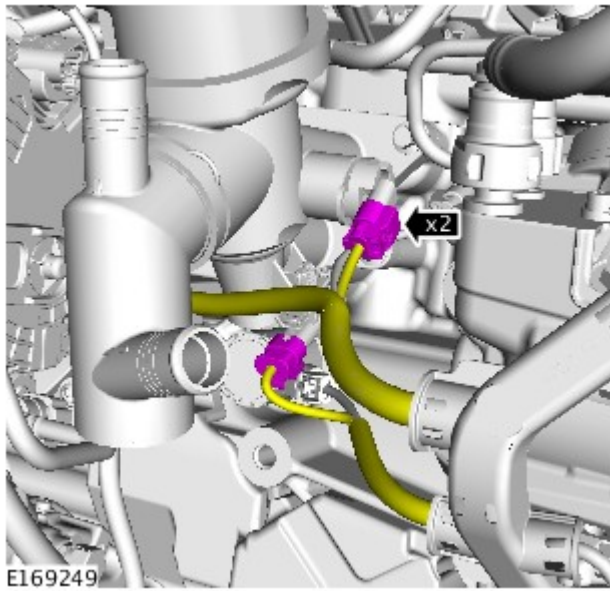
11.

CAUTION:

Be prepared to collect escaping coolant.



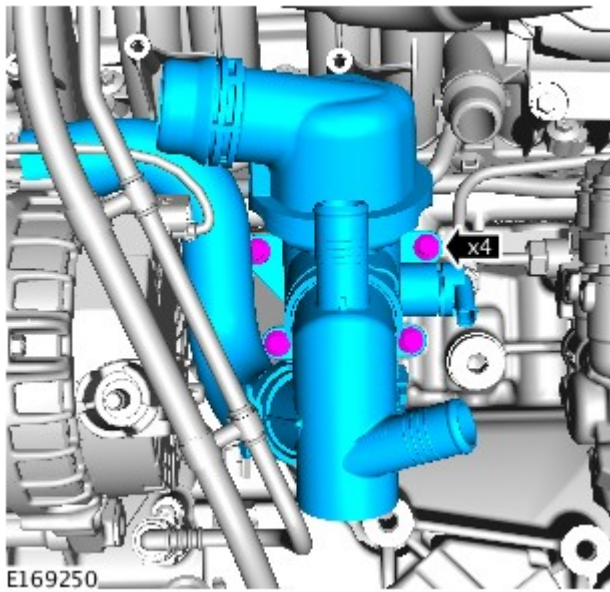
12.



13.

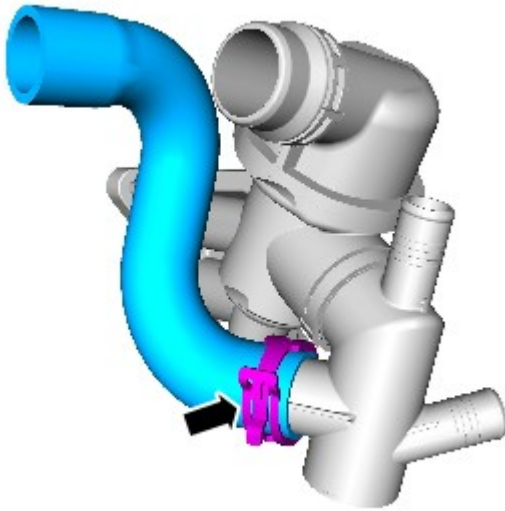
CAUTION:

Be prepared to collect escaping coolant.



Torque: 12Nm

14.

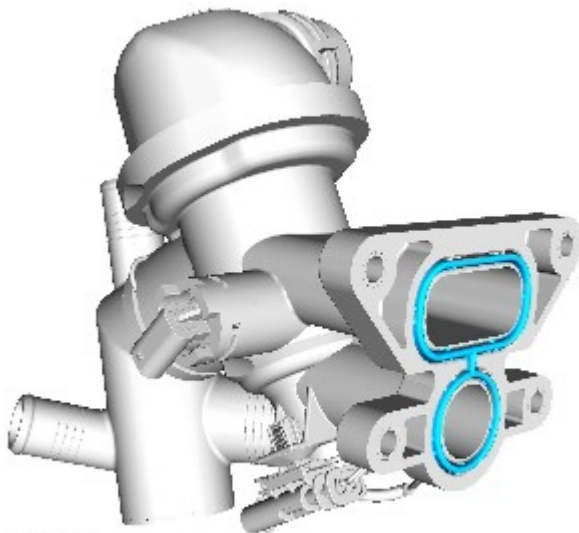


E169251

15.

NOTE:

Remove and discard the gasket.



E169252

Renew Part: *Thermostat to cylinder block gasket* Quantity: 1.

INSTALLATION

1.

NOTES:

- Install new gaskets.
- Install new O-ring seals.

To install, reverse the removal procedure.

amF5b2izalW87MjAyNS0xMCOyOVQxNTowNjowMC43ODVsOzEzNiAyMjUuNTkuOTA7