

Published: 11-May-2011

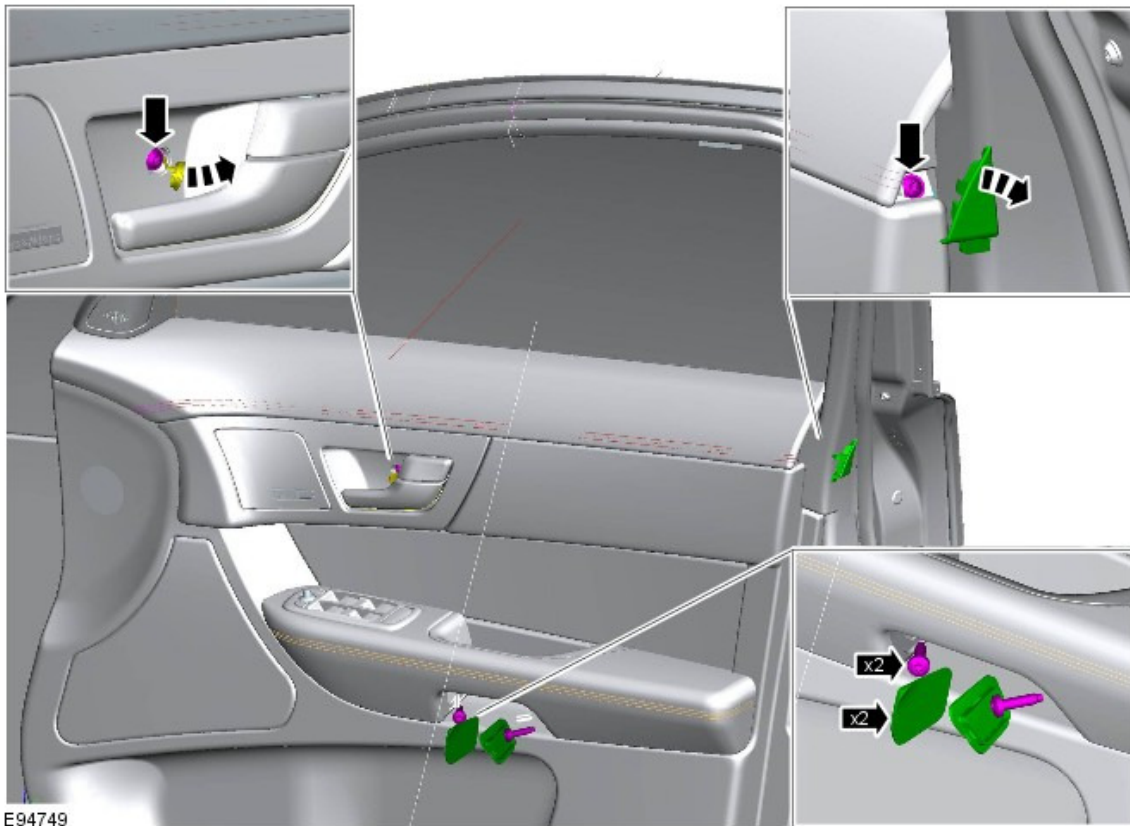
Interior Trim and Ornamentation - Front Door Trim Panel

Removal and Installation

Removal



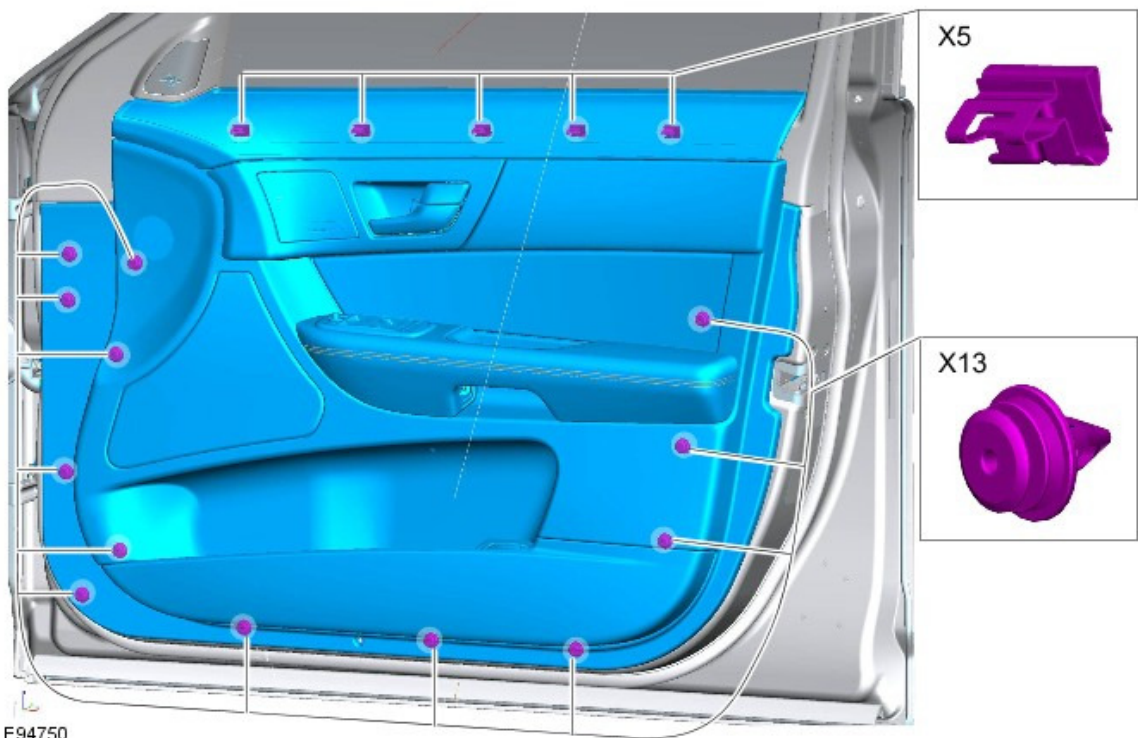
NOTE: Removal steps in this procedure may contain installation details.



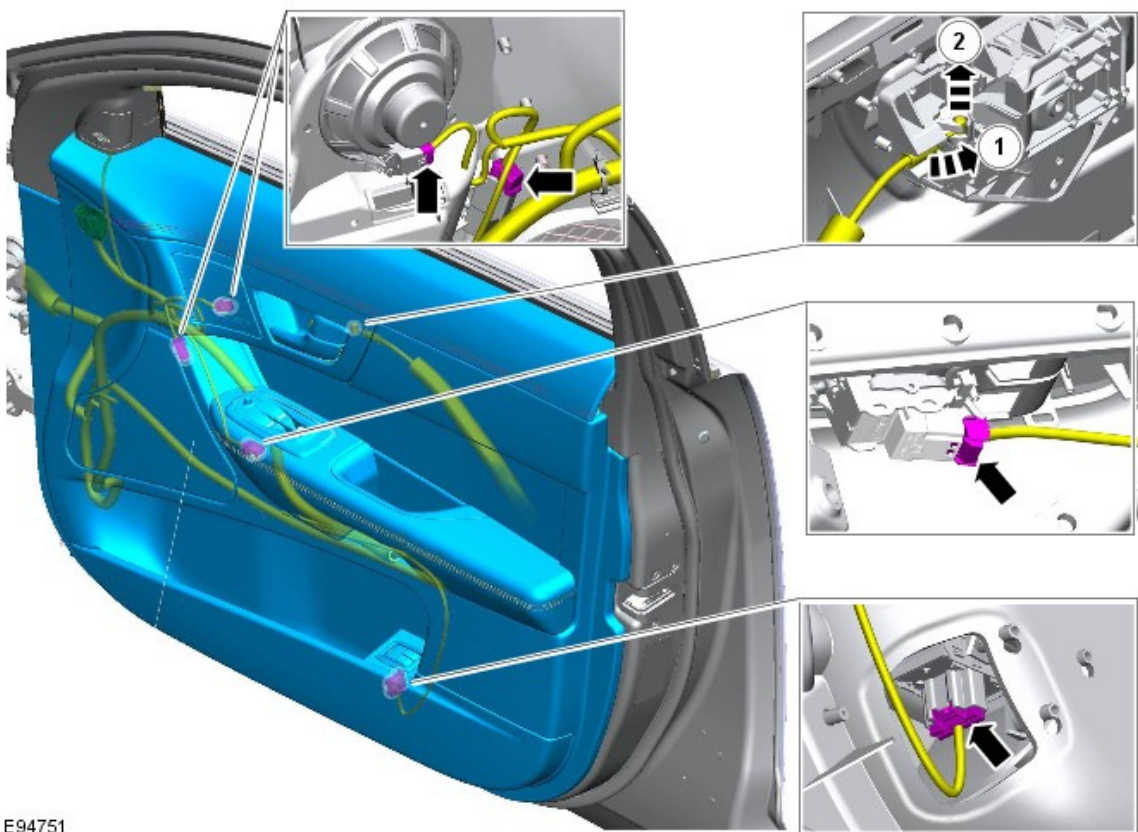
E94749

1.

2.



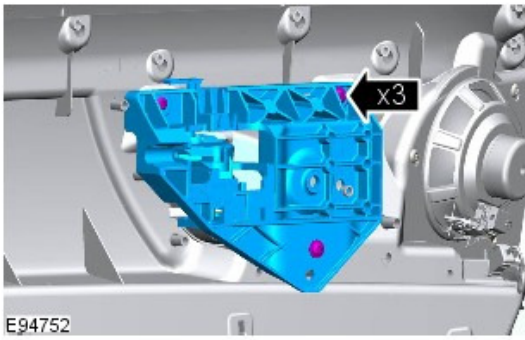
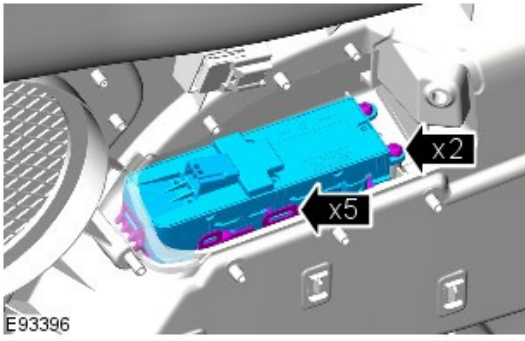
E94750



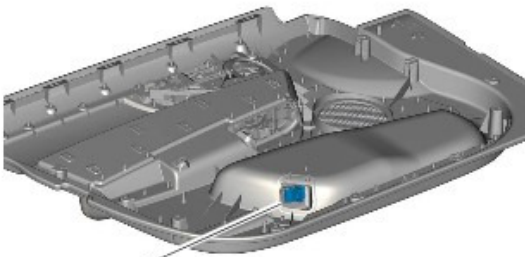
E94751

3.

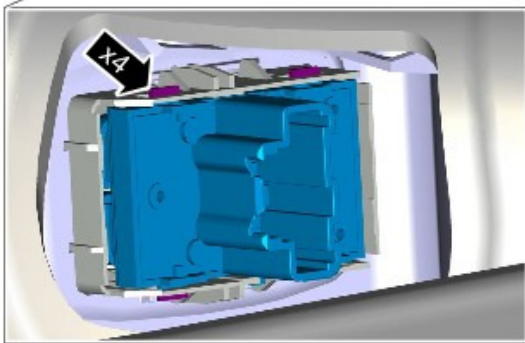
4.  NOTE: Do not disassemble further if the component is removed for access only.



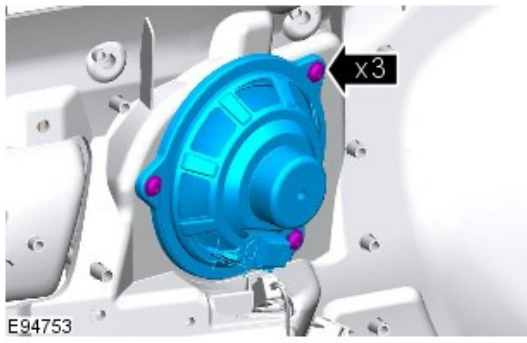
5.



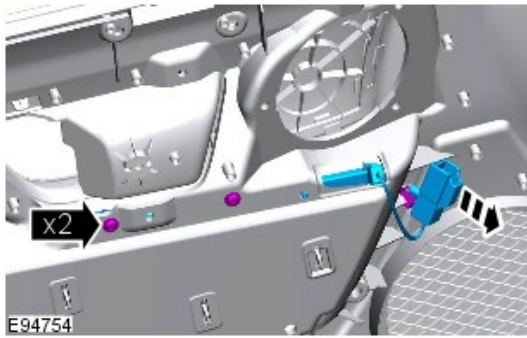
6.



7.



8.



Installation

1. To install, reverse the removal procedure.