

Published: 04-Feb-2013

Handles, Locks, Latches and Entry Systems - Front Door Latch

Removal and Installation

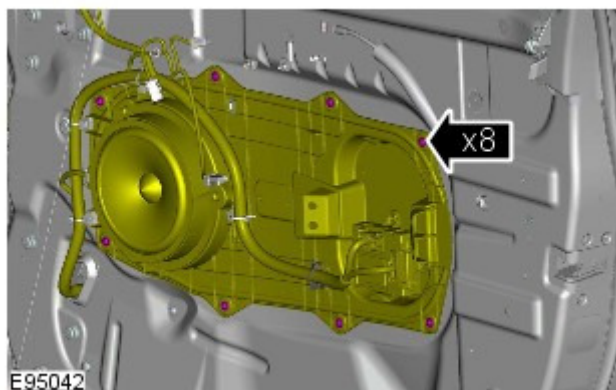
Removal

1. Refer to: [Front Door Window Glass](#) (501-11 Glass, Frames and Mechanisms, Removal and Installation).

2.  NOTE: Left-hand shown, right-hand similar.

Refer to: [Exterior Front Door Handle](#) (501-14 Handles, Locks, Latches and Entry Systems, Removal and Installation).

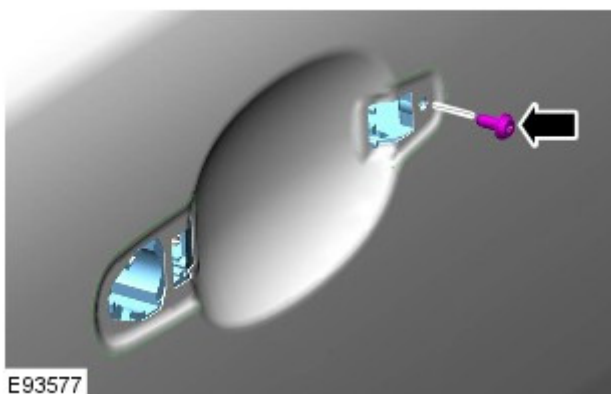
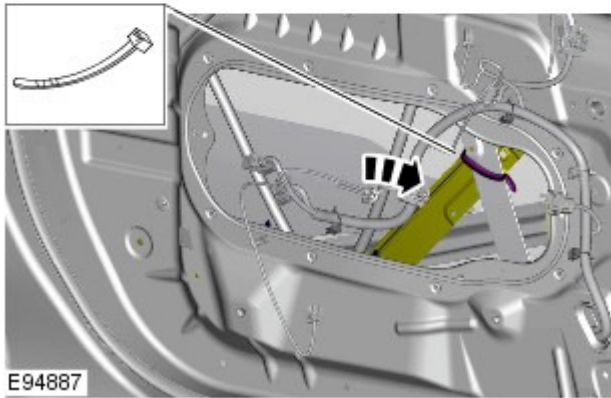
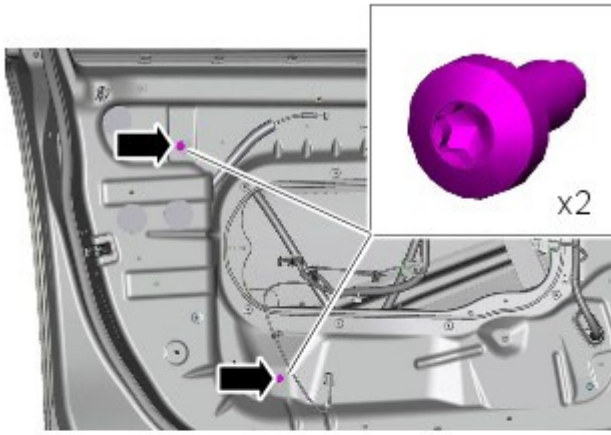
3. Refer to: [Front Door Trim Panel](#) (501-05 Interior Trim and Ornamentation, Removal and Installation).



4.  NOTE: Right-hand shown, left-hand similar.

5.  NOTE: Left-hand shown, right-hand similar.

Torque: 7 Nm

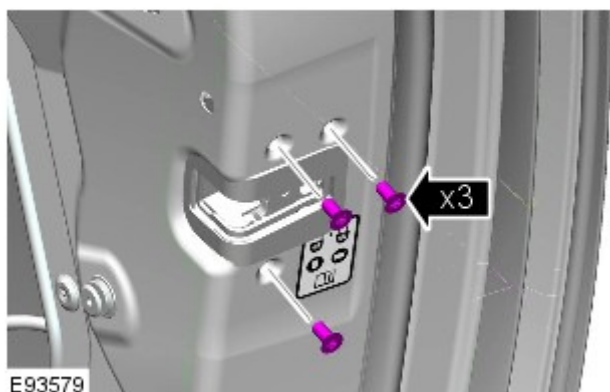


6.  NOTE: Left-hand shown, right-hand similar.

7.  NOTE: Right-hand shown, left-hand similar.

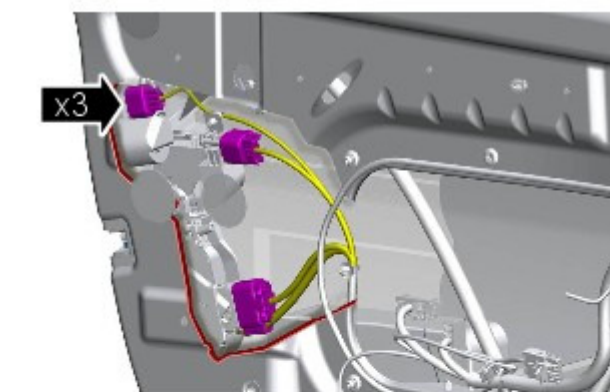
Torque: 3 Nm

8.

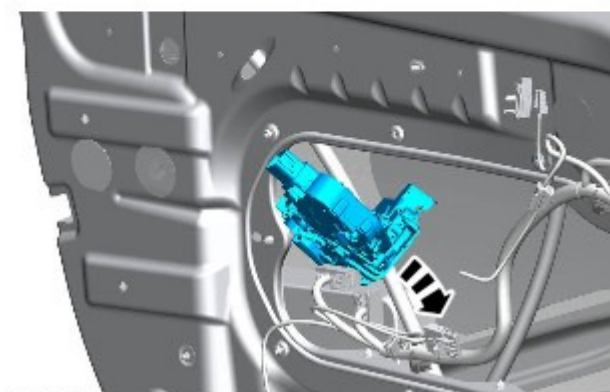



 NOTE: Right-hand shown, left-hand similar.

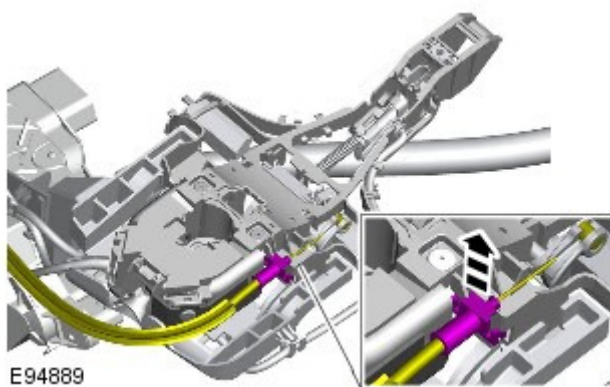
Torque: 7 Nm



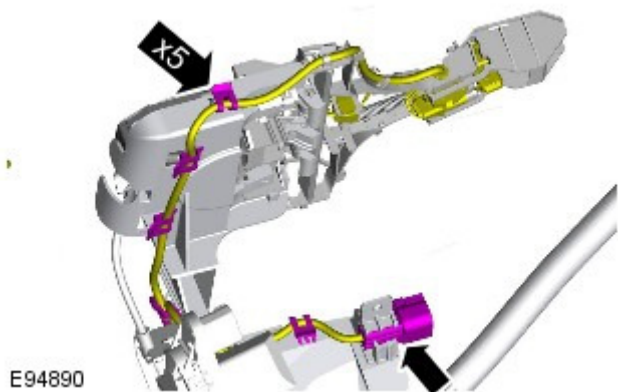
9.  NOTE: Left-hand shown, right-hand similar.




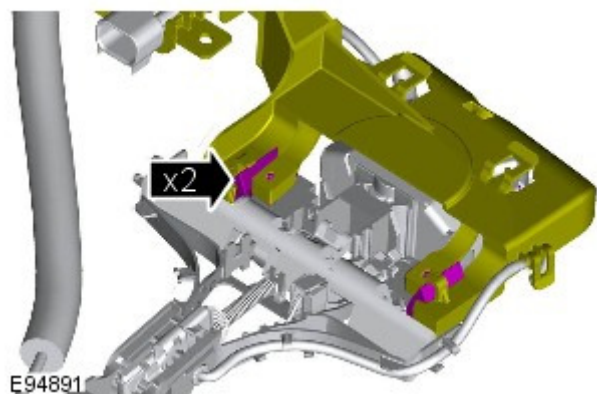
10.  NOTE: Do not disassemble further if the component is removed for access only.




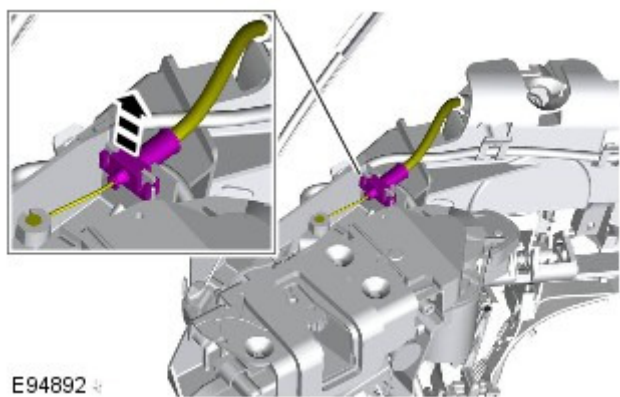
11.



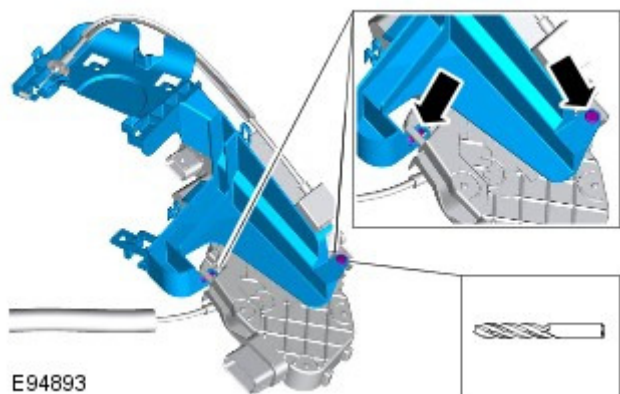
 NOTE: Note the position of the wiring harness.



12.  NOTE: Some variation in the illustrations may occur, but the essential information is always correct.

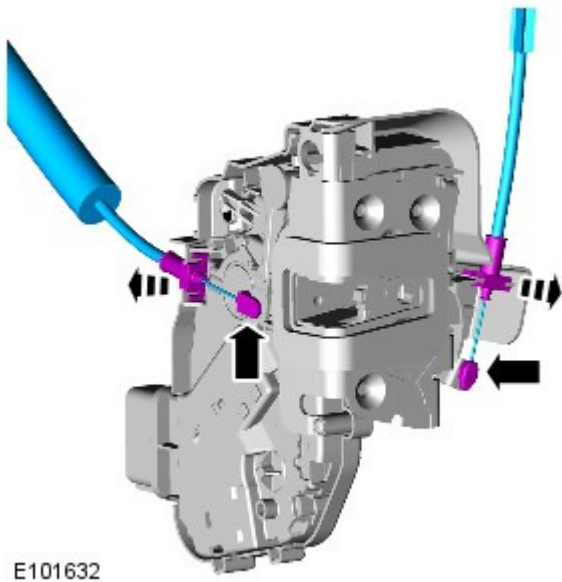


13.



14.

15.



E101632

Installation

1. To install, reverse the removal procedure.