

2014.0 XF (X250), 204-02

## REAR SUSPENSION

# SHOCK ABSORBER AND SPRING ASSEMBLY - 4-DOOR (G1002028)

### REMOVAL AND INSTALLATION

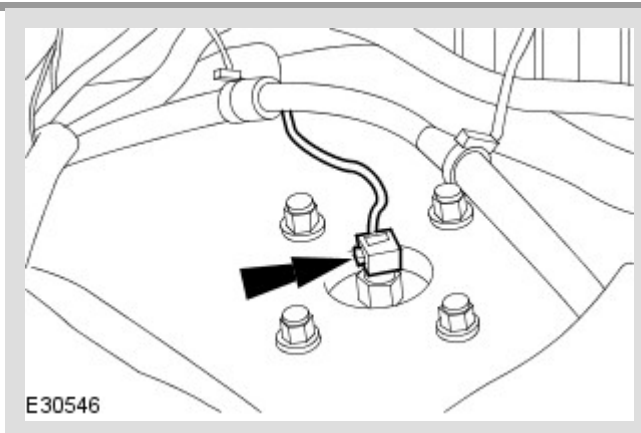
#### REMOVAL

All vehicles

1. Remove the luggage compartment side trim panel.  
For additional information, refer to: [Loadspace Trim Panel LH - 4-Door](#) (501-05 Interior Trim and Ornamentation, Removal and Installation).

Vehicles with active damping

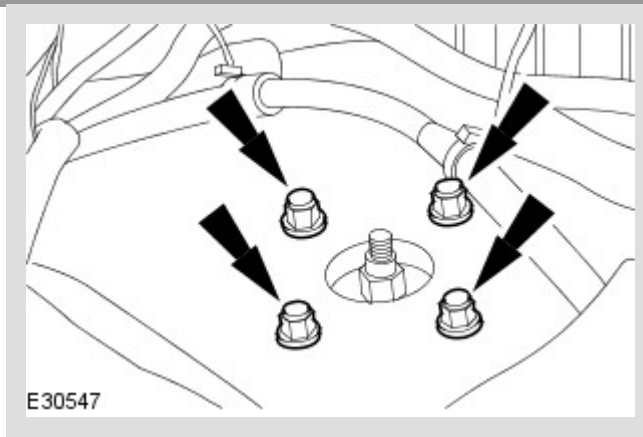
1.



Disconnect the active suspension damper electrical connector.

All vehicles

1.



Remove the shock absorber and spring assembly top mount nuts. TORQUE: 30 Nm

2.



**WARNING:**

Make sure to support the vehicle with axle stands.

Raise the vehicle.

3.

Remove the wheel and tire.

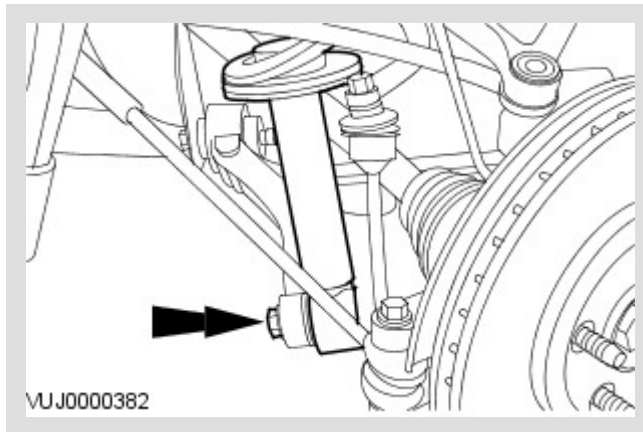
For additional information, refer to: [Wheel and Tire](#) (204-04 Wheels and Tires, Removal and Installation).

4.



**NOTE:**

Do not disassemble further if the component is removed for access only.



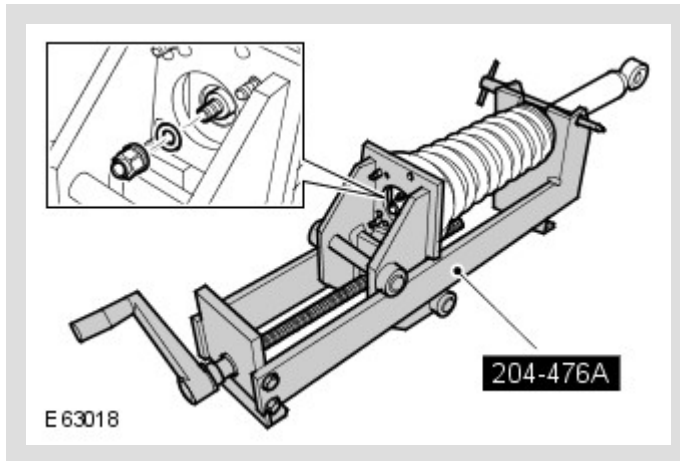
Remove the shock absorber and spring assembly. TORQUE:  
133 Nm

Vehicles with active damping

1.

**⚠ WARNINGS:**

- Make sure the shock absorber is secured by fully inserting the locking pin in to the special tool. Failure to follow these instructions may result in personal injury.
- As the spring is under extreme tension care must be taken at all times. Failure to follow these instructions may result in personal injury.
- Make sure that a new nut is installed.



Using the special tool, compress the suspension spring to remove the shock absorber.

Compress the spring.

Remove the nut. TORQUE: 27 Nm

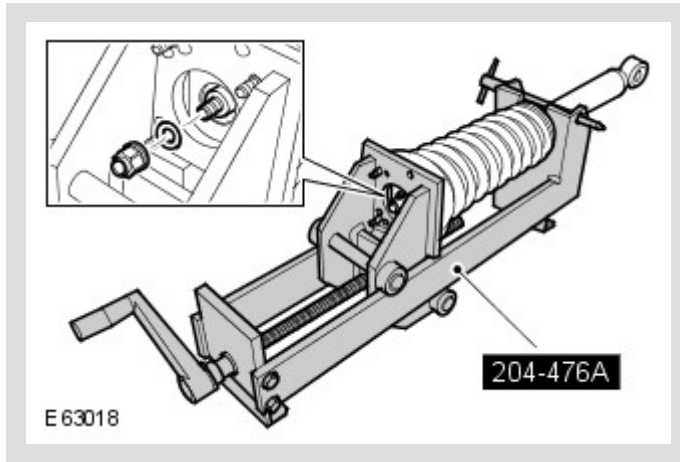
Vehicles without active damping

1.



#### WARNINGS:

- Make sure the shock absorber is secured by fully inserting the locking pin in to the special tool. Failure to follow these instructions may result in personal injury.
- As the spring is under extreme tension care must be taken at all times. Failure to follow these instructions may result in personal injury.
- Make sure that a new nut is installed.



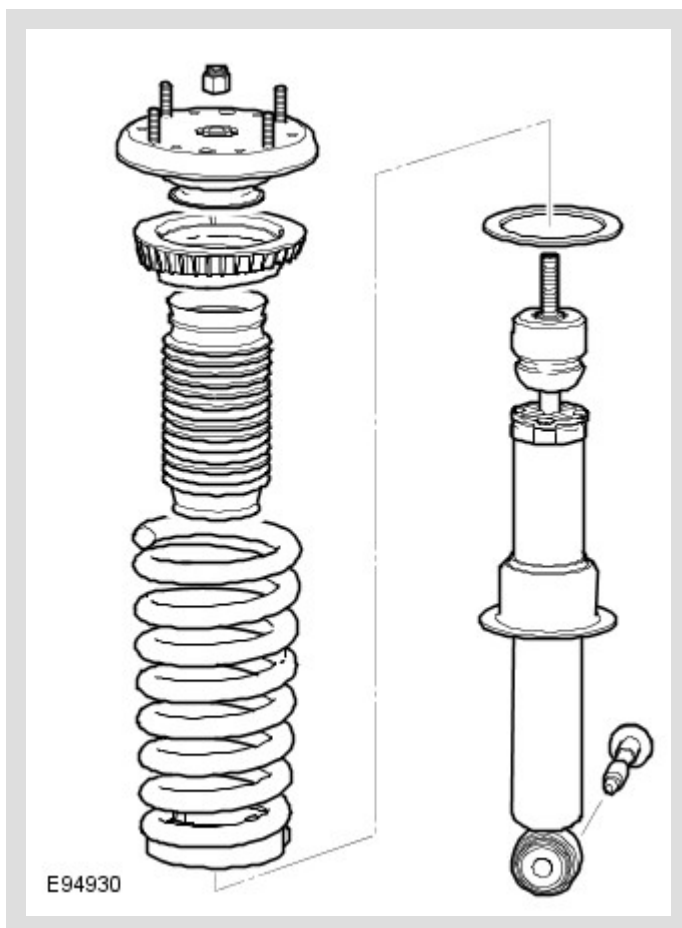
Using the special tool, compress the suspension spring to remove the shock absorber.

Compress the spring.

Remove the nut. TORQUE: 50 Nm

All vehicles

1.

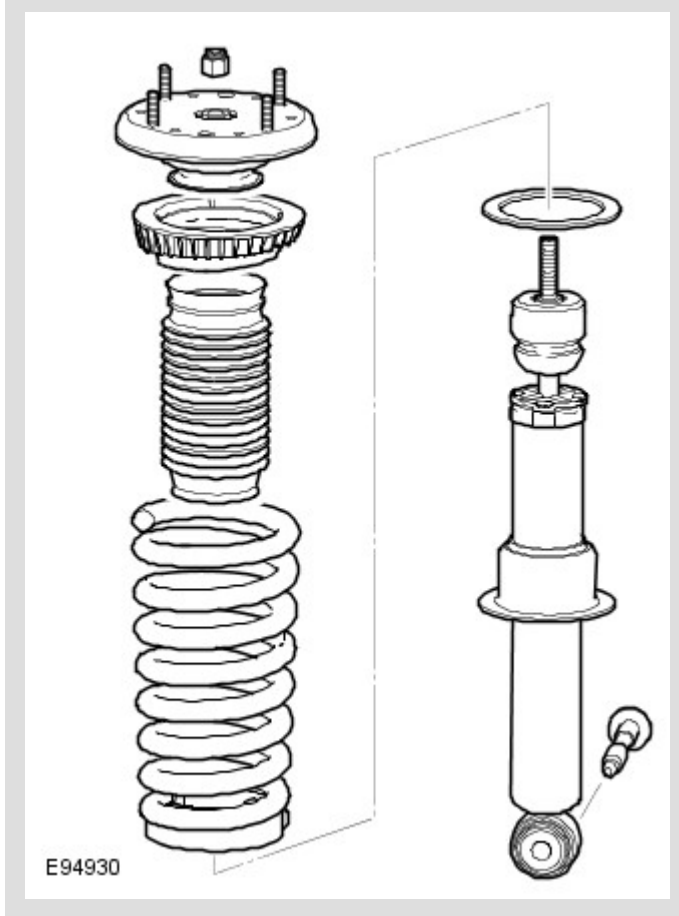


Remove the shock absorber rod components.

INSTALLATION

All vehicles

1.



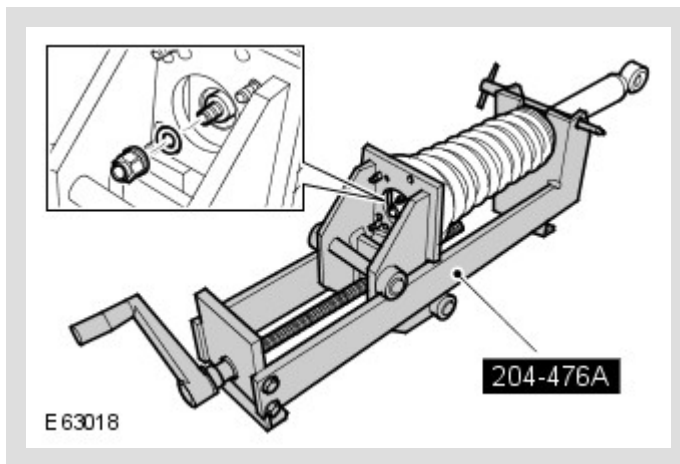
Install the shock absorber rod components.

Vehicles with active damping

1.

**⚠ WARNINGS:**

- Make sure the shock absorber is secured by fully inserting the locking pin in to the special tool. Failure to follow these instructions may result in personal injury.
- As the spring is under extreme tension care must be taken at all times. Failure to follow these instructions may result in personal injury.
- Make sure that a new nut is installed.



Using the special tool, compress the suspension spring to install the shock absorber.

Compress the spring.

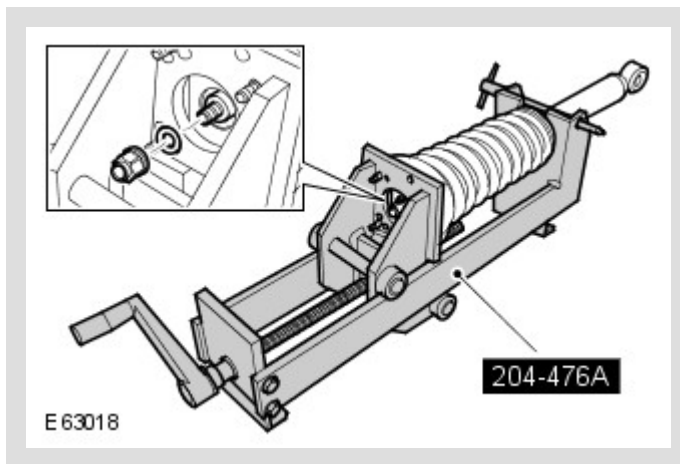
Tighten the nut to 27 Nm.

Vehicles without active damping



**⚠ WARNINGS:**

- Make sure the shock absorber is secured by fully inserting the locking pin in to the special tool. Failure to follow these instructions may result in personal injury.
- As the spring is under extreme tension care must be taken at all times. Failure to follow these instructions may result in personal injury.
- Make sure that a new nut is installed.

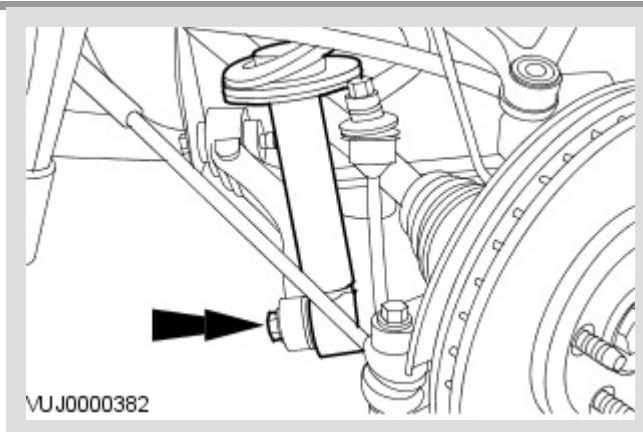


Using the special tool, compress the suspension spring to install the shock absorber.

Compress the spring.

Tighten the nut to 50 Nm.

2.



Install the shock absorber and spring assembly.

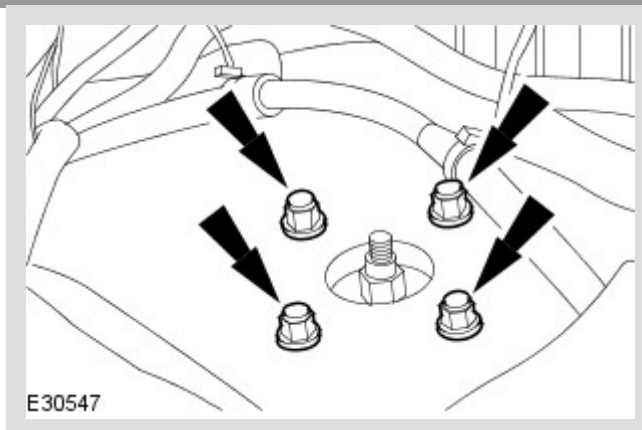
Tighten to 133 Nm.

3. Install the wheel and tire.

For additional information, refer to: [Wheel and Tire](#) (204-04 Wheels and Tires, Removal and Installation).

All vehicles

- 1.

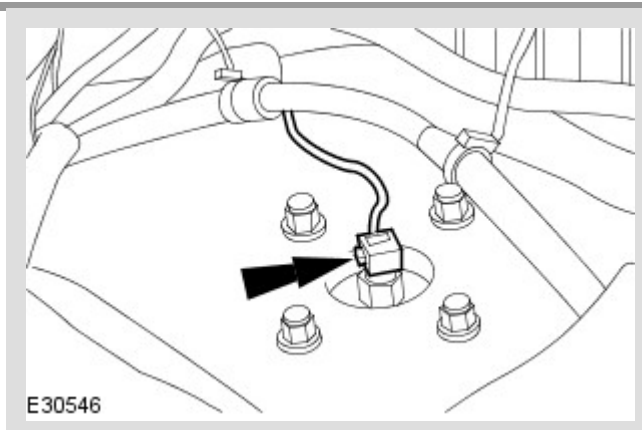


Install the shock absorber and spring assembly top mount nuts.

Tighten to 30 Nm.

Vehicles with active damping

- 1.



Connect the active suspension damper electrical connector.

All vehicles

1. Install the luggage compartment side trim panel.  
For additional information, refer to: [Loadspace Trim Panel LH - 4-Door](#) (501-05 Interior Trim and Ornamentation, Removal and Installation).

2014.0 XF (X250), 501-05

## INTERIOR TRIM AND ORNAMENTATION

# LOADSPACE TRIM PANEL LH - 4-DOOR (G970015)

### REMOVAL AND INSTALLATION

76.19.22	LUGGAGE COMPARTMENT SIDE LINER - LEFT HAND - RENEW	ALL DERIVATIVES	0.5	USED WITHINS
----------	--	--------------------	-----	-----------------

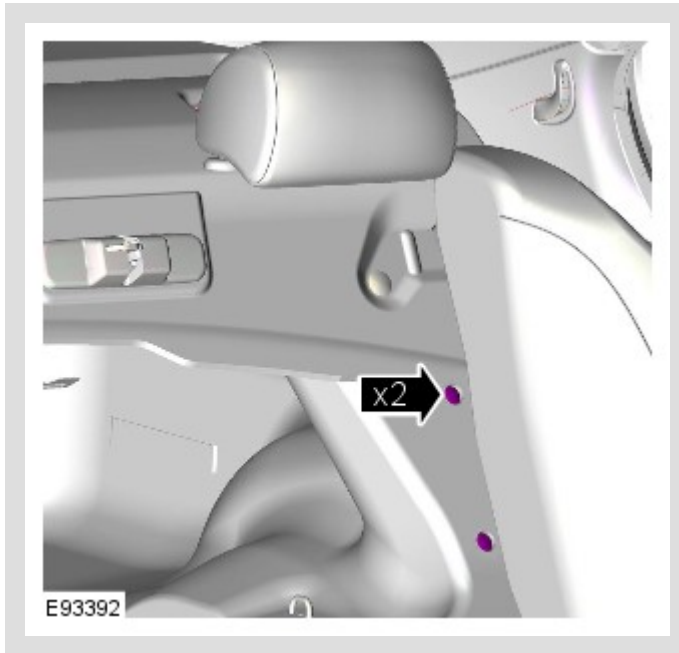
### REMOVAL

#### NOTE:

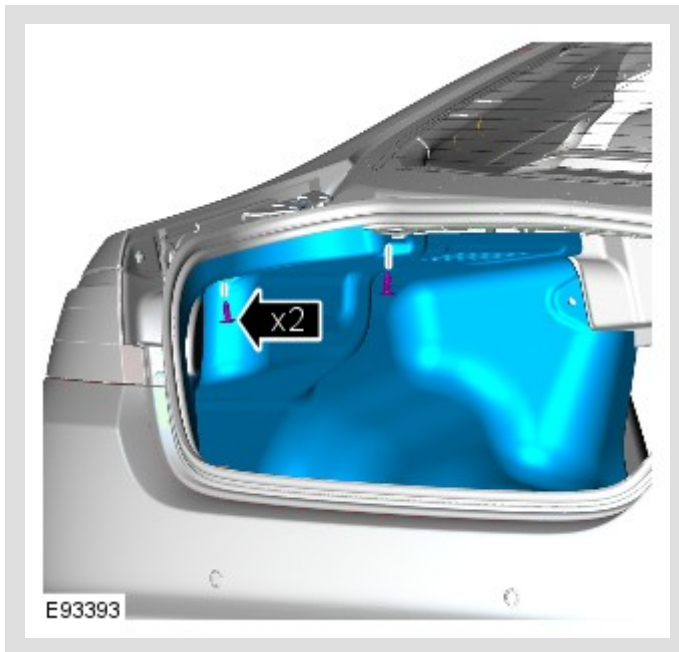
Removal steps in this procedure may contain installation details.

1. Refer to: [Loadspace Trim Panel](#) (501-05 Interior Trim and Ornamentation, Removal and Installation).
2. Refer to: [Loadspace Scuff Plate Trim Panel - 4-Door](#) (501-05 Interior Trim and Ornamentation, Removal and Installation).

3.



4.



## INSTALLATION

1. To install, reverse the removal procedure.