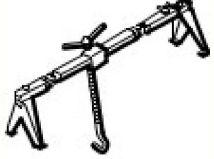
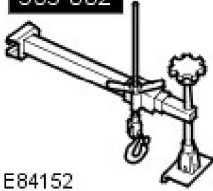


Engine - V6 S/C 3.0L Petrol - Engine Mount LH AWD

Removal and Installation

Special Tool(s)

 303-021	303-021 Engine support bracket
 E84152	303-662 Support Beam Arm and Hook Assembly, Engine

Removal

NOTES:



Some variation in the illustrations may occur, but the essential information is always correct.



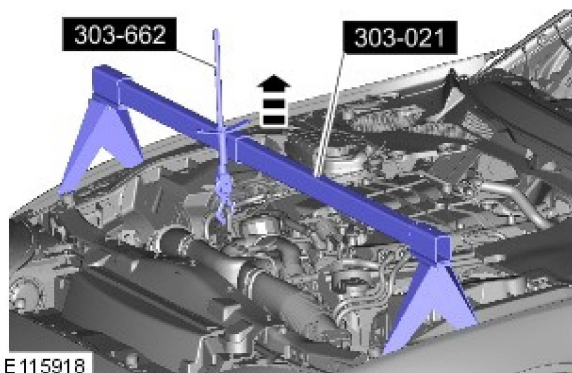
Removal steps in this procedure may contain installation details.

1. Refer to: [Battery Disconnect and Connect](#) (414-01 Battery, Mounting and Cables, General Procedures).

2. Refer to: [Front Halfshaft LH](#) (205-04 Front Drive Halfshafts, Removal and Installation).

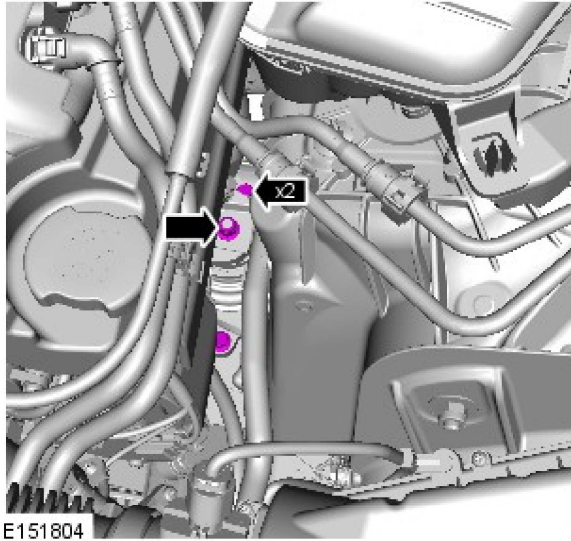
3. Refer to: [Air Deflector](#) (501-02 Front End Body Panels, Removal and Installation).

4. Refer to: [Transmission Fluid Cooler](#) (307-02B Transmission/Transaxle Cooling - V6 S/C 3.0L Petrol, Removal and Installation).

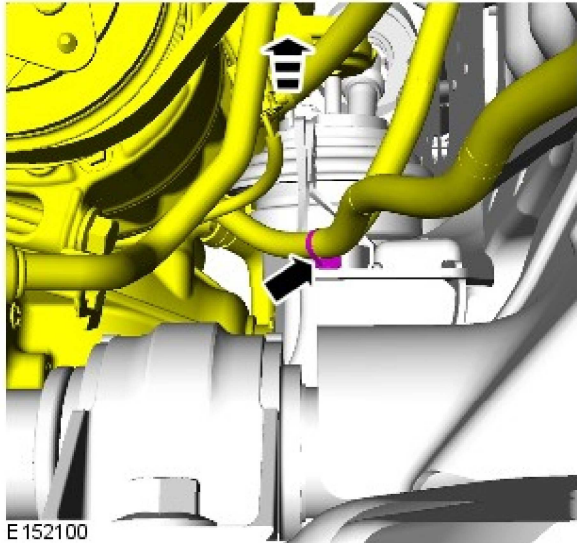


- 5.
- *Special Tool(s):* [303-662](#)
 - *Special Tool(s):* [303-021](#)

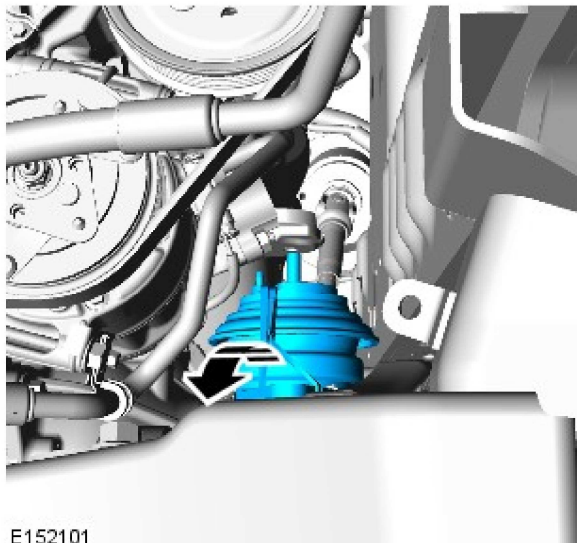
6. *Torque:* 48 Nm



E151804



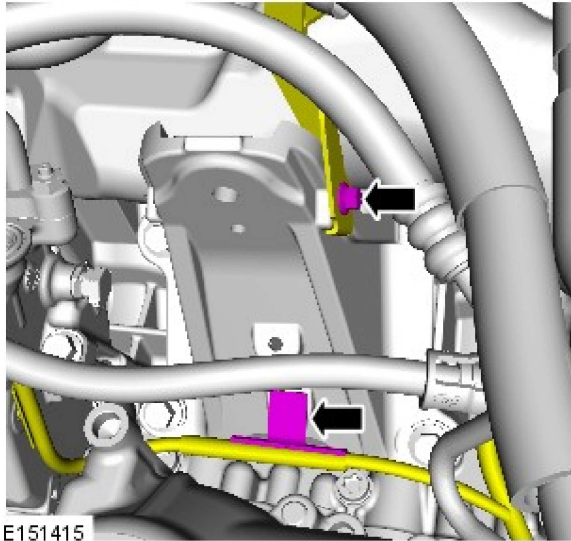
E 152100




E152101

7. Raise the engine clear of its LH mount.

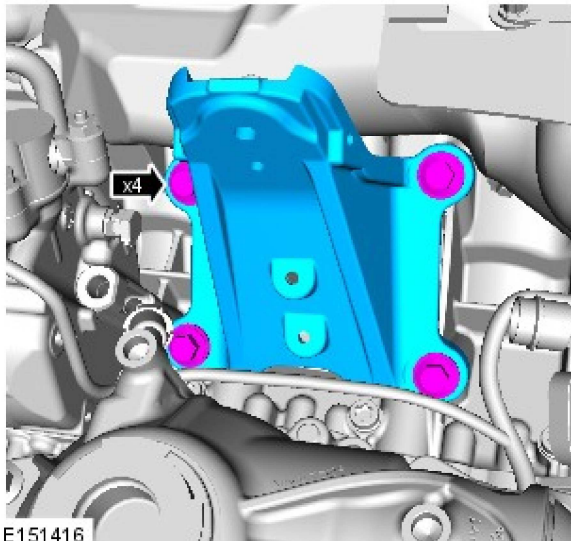
8.



E151415

9.  NOTE: Do not disassemble further if the component is removed for access only.

Torque: 10 Nm



E151416

10. Torque: 40 Nm

Installation

1. To install, reverse the removal procedure.


Published: 04-Jan-2016

Transmission/Transaxle Cooling - V6 S/C 3.0L Petrol - Transmission Fluid Cooler Removal and Installation

Removal



NOTE: Removal steps in this procedure may contain installation details.


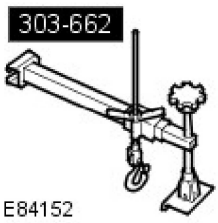
1.  WARNING: Make sure to support the vehicle with axle stands.

Raise and support the vehicle.

Engine - V6 S/C 3.0L Petrol - Engine Mount RH AWD

Removal and Installation

Special Tool(s)

 <p>303-021</p>	303-021 Engine support bracket
 <p>303-662</p> <p>E84152</p>	303-662 Support Beam Arm and Hook Assembly, Engine

Removal

NOTES:



Some variation in the illustrations may occur, but the essential information is always correct.

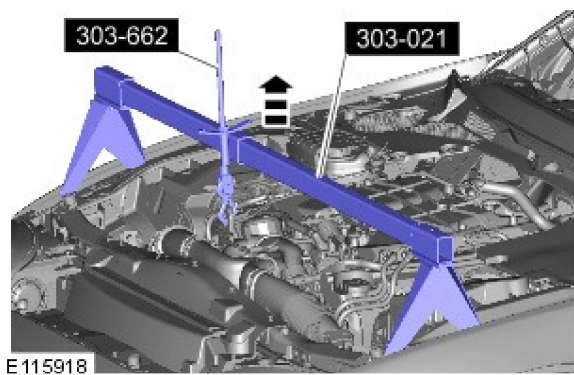


Removal steps in this procedure may contain installation details.

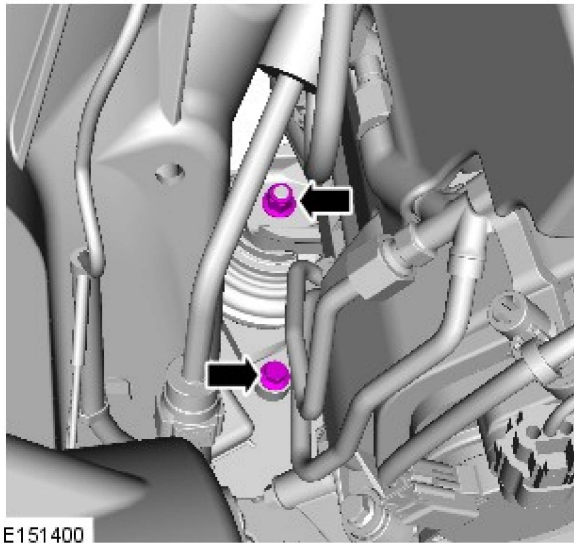
1. Refer to: [Battery Disconnect and Connect](#) (414-01 Battery, Mounting and Cables, General Procedures).

2. Refer to: [Air Deflector](#) (501-02 Front End Body Panels, Removal and Installation).

3. Special Tool(s): [303-021](#) , [303-662](#)

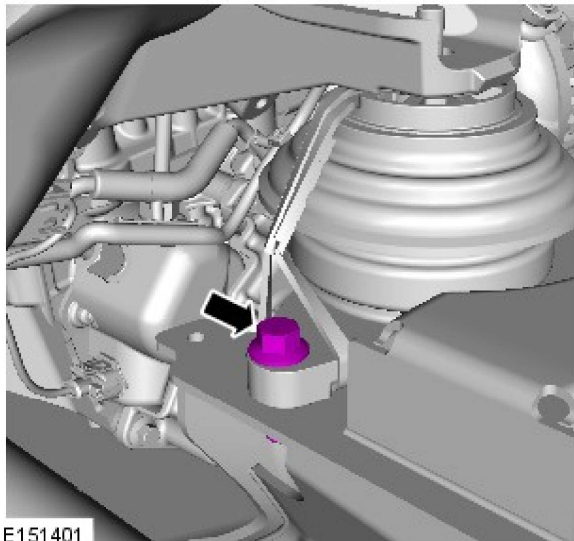


4. • Torque: 48 Nm



E151400

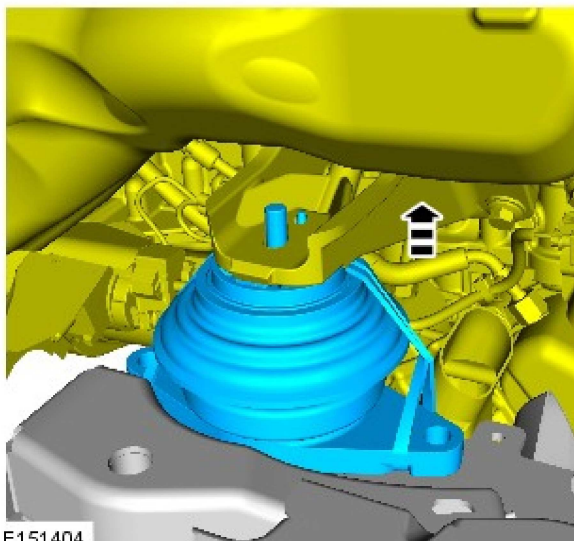
5. Torque: 48 Nm



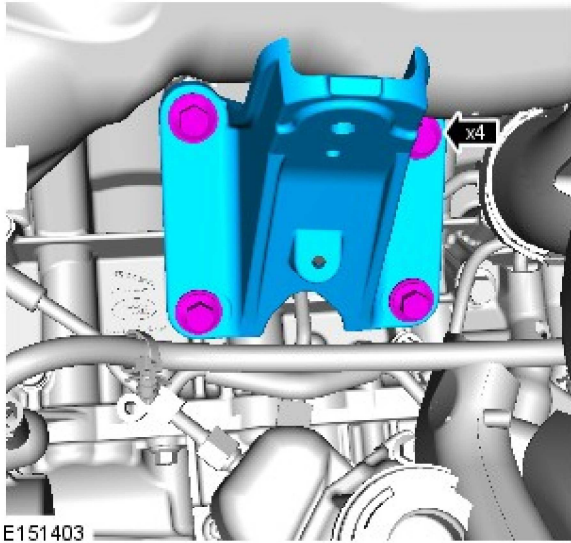
E151401


6.  CAUTION: Care must be taken to avoid damaging the surrounding components.

- Raise the engine clear of its RH mount.



E151404



7.  NOTE: Do not disassemble further if the component is removed for access only.

Torque: 40 Nm

Installation

1. To install, reverse the removal procedure.

Published: 30-Oct-2012

Front End Body Panels - Air Deflector

Removal and Installation

Removal



NOTE: Removal steps in this procedure may contain installation details.

All vehicles

1.  WARNING: Make sure to support the vehicle with axle stands.

Raise and support the vehicle.

2WD vehicles

2. Torque: 7 Nm