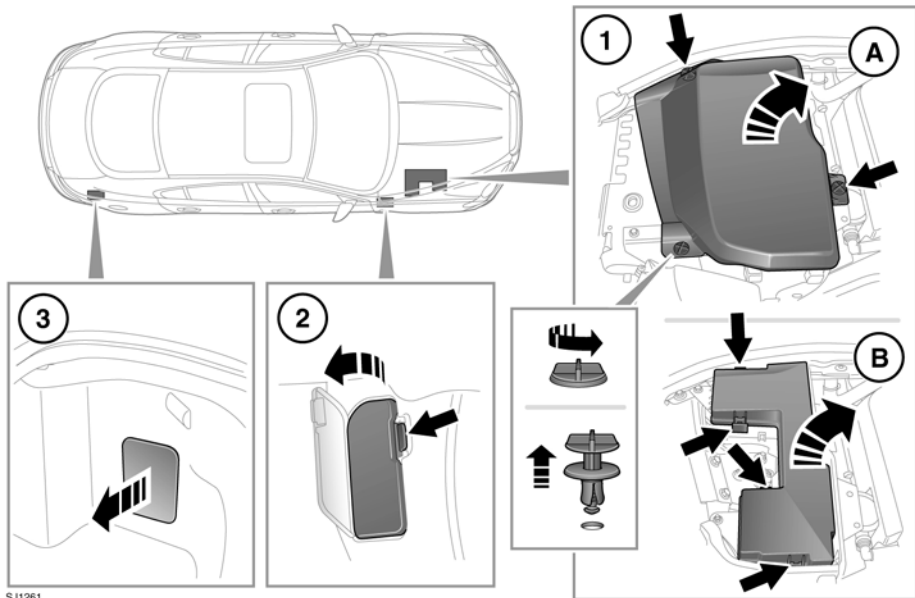


## FUSE BOX LOCATIONS



SJ1261

- ⚠ When a fuse box lid is removed, take care to protect the box from moisture, and refit the lid at the earliest opportunity.

There are three separate fuse boxes fitted to the vehicle, each one containing fuses protecting a different group of circuits.

1. The engine compartment fuse box.
  - A. Release the turnbuckles and remove engine cover.
  - B. Press the release catches and remove fuse box cover.
2. The passenger compartment fuse box.
3. The luggage compartment fuse box.

## CHANGING A FUSE

- ⚠ Always turn off the ignition system and the affected electrical circuit, before replacing a fuse.
- ⚠ Fit Jaguar approved replacement fuses of the same rating and type, or fuses of matching specification.
- ⚠ If the replacement fuse blows after installation, the system should be checked by your Dealer/Authorised Repairer.

**Note:** Jaguar recommend that owners do not remove or replace relays. It is recommended that you seek qualified assistance in the event of a relay failure.

Spare fuses and a fuse removal tool, are located in the engine compartment fuse box.

## ENGINE COMPARTMENT FUSE BOX

Fuse No	Rating (amps)	Fuse Colour	Circuit
F1	-	-	-
F2	-	-	-
F3	20A	Blue	Emissions system (petrol only).
F4	20A	Blue	Emissions system (petrol only).
F5	40A	Green	Anti-lock brake pump.
F6	30A	Pink	Power wash pump.
F7	-	-	-
F8	-	-	-
F9	50A	Red	Engine management.
F10	-	-	-
F11	-	-	-
F12	50A	Red	Secondary air injection (petrol only)
F13	30A	Pink	Wipers.
F14	30A	Pink	Starter solenoid.
F15	40A	Green	Screen heater.
F16	40A	Green	Screen heater.
F17	80A	Black	Radiator fan (V6 petrol only)
F18	60A	Yellow	Glow plugs (diesel only).
F19	-	-	-
F20	15A	Blue	Horn.
F21	25A	Clear	ABS.
F22	15A	Blue	Cigar lighter.
F23	-	-	-
F24	5A	Tan	ACC.
F25	10A	Red	ABS.
F26	10A	Red	Engine management, JaguarDrive selector, Transmission control module.
F27	5A	Tan	Diesel: Engine management. Petrol: Secondary air injection.
F28	-	-	-

# Fuses

Fuse No	Rating (amps)	Fuse Colour	Circuit
F29	-	-	-
F30	-	-	-
F31	-	-	-
F32	-	-	-
F33	-	-	-
F34	-	-	-
F35	5A	Tan	Air conditioning compressor clutch.
F36	15A	Blue	Engine management system (diesel only).
	20A	Blue	Engine management system (V8 petrol only).
F37	15A	Blue	Ignition system (petrol only).
F38	5A	Tan	Power steering.
F39	5A	Tan	Headlamp levelling system.
F40	15A	Blue	Water pump (Supercharged vehicles only).
F41	5A	Tan	Diesel: Emissions system.
	10A	Red	Petrol: Engine management system.
F42	30A	Green	Diesel: Engine management system. Ignition supply.
	10A	Red	Petrol Engine management system. Ignition supply. Radiator fan.
F43	5A	Tan	Diesel: Fuel system.
	10A	Red	Petrol: Engine management system. Emission control.
F44	5A	Tan	Diesel: Engine management system.
	15A	Blue	Petrol: Fuel injectors.
F45	100A	Blue	Radiator fan (diesel and V8 petrol only).

## PASSENGER COMPARTMENT FUSE BOX

Fuse No	Rating (amps)	Fuse Colour	Circuit
F1	-	-	-
F2	-	-	-
F3	20A	Blue	Driver's seat adjustment.
F4	20A	Blue	Driver's seat adjustment.
F5	-	-	-

Fuse No	Rating (amps)	Fuse Colour	Circuit
F6	-	-	-
F7	-	-	-
F8	20A	Blue	Front passenger's seat adjustment.
F9	20A	Blue	Front passenger's seat adjustment.
F10	20A	Blue	Left-hand rear door controls.
F11	20A	Blue	Right-hand rear door controls.
F12	-	-	-
F13	10A	Red	Steering column adjust.
F14	-	-	-
F15	-	-	-
F16	5A	Tan	Sunblind.
F17	-	-	-
F18	-	-	-
F19	-	-	-
F20	5A	Tan	Remote control receiver.
F21	5A	Tan	Foot brake.
F22	5A	Tan	Electric parking brake.
F23	5A	Tan	Driver's seat, Audio system, Auto headlamps, Upper centre console switches.
F24	10A	Red	Front passenger seat, Electric windows, Mirror adjustment.
F25	20A	Yellow	Driver's heated/climate seat.
F26	15A	Blue	Trailer power socket, Road pricing system.
F27	20A	Yellow	Front passenger's heated/climate seat.
F28	15A	Blue	Auxiliary power sockets.
F29	20A	Yellow	Keyless entry system.
F30	10A	Red	Air conditioning.
F31	15A	Blue	Sunroof.
F32	5A	Tan	Starter control unit.
F33	5A	Tan	Diagnostic connector.
F34	5A	Tan	Instrument pack.
F35	15A	Blue	Interior lamps.
F36	10A	Red	Suspension system.

## LUGGAGE COMPARTMENT FUSE BOX

Fuse No	Rating (amps)	Fuse Colour	Circuit
F1	30A	Pink	Air blower.
F2	30A	Pink	Electric parking brake.
F3	-	-	-
F4	-	-	-
F5	-	-	-
F6	-	-	-
F7	30A	Pink	Heated rear screen.
F8	30A	Pink	Audio system (Premium audio only).
F9	50A	Red	RBD link.
F10	40A	Green	Rear electronic differential (e-Diff)
F11	-	-	-
F12	-	-	-
F13	-	-	-
F14	5A	Tan	Telephone.
F15	10A	Red	TV, DVD, DAB radio.
F16	-	-	-
F17	-	-	-
F18	-	-	-
F19	-	-	-
F20	-	-	-
F21	-	-	-
F22	-	-	-
F23	-	-	-
F24	-	-	-
F25	25A	Clear	Fuel pump.
F26	15A	Blue	Audio system, Portable audio interface.
F27	10A	Red	Navigation, Voice recognition, Touch screen.
F28	15A	Blue	Trailer power connector, Road pricing system.
F29	15A	Blue	Trailer connector.
F30	25A	Clear	Driver's door module.

Fuse No	Rating (amps)	Fuse Colour	Circuit
F31	25A	Clear	Front passenger door module.
F32	-	-	-
F33	5A	Tan	Tyre pressure monitoring system.
F34	-	-	-
F35	10A	Red	Supplementary restraint system.
F36	10A	Red	Pedestrian protection system.