

Evaporative Emissions - 4.2L NA V8 - AJV8/4.2L SC V8 - AJV8 - Evaporative Emission Canister

Removal and Installation

Removal

WARNING: Do not smoke or carry lighted tobacco or open flame of any type when working on or near any fuel related components. Highly flammable vapors are always present and may ignite. Failure to follow these instructions may result in personal injury.

1. WARNING: Do not work on or under a vehicle supported only by a jack. Always support the vehicle on safety stands.

Raise and support the vehicle.

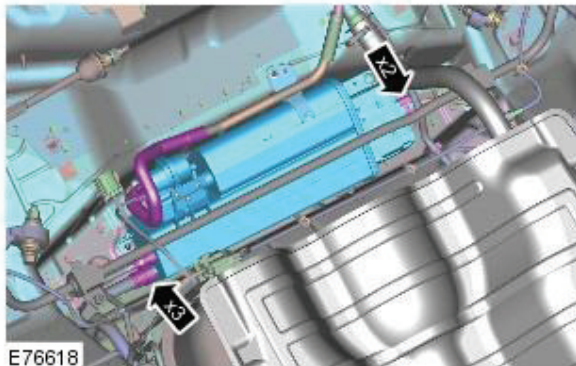
2. Remove the rear differential.
For additional information, refer to: Axle Assembly (205-02, Removal and Installation).

3. CAUTION: Always plug any open connections to prevent contamination.

• NOTE: Sub-frame shown removed for clarity.

Disconnect the evaporative emissions canister.

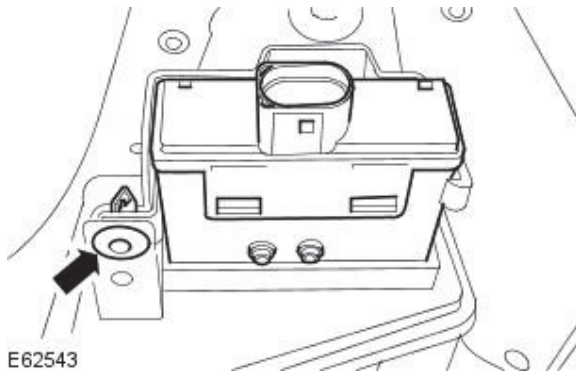
- Disconnect the 3 lines.
- Disconnect the 2 electrical connectors.



E76618

4. Remove the fuel pump driver module.

- Remove the clip.

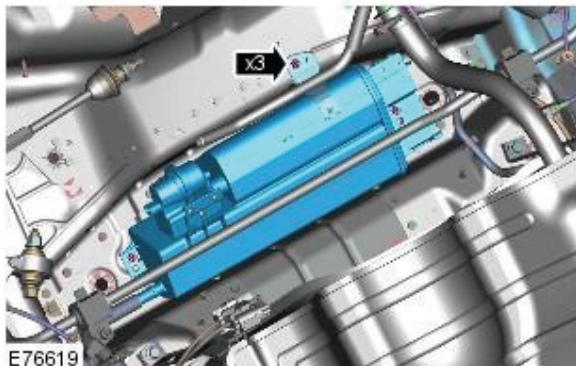


E62543

5. NOTE: Sub-frame shown removed for clarity.

Remove the evaporative emissions canister.

- Remove the 3 nuts.



E76619

Installation

1. Install the evaporative emissions canister.

- Torque: 10 Nm (7 lb.ft)

2. Install the fuel pump driver module.

3. Connect the evaporative emissions canister.

4. Install the rear differential.

For additional information, refer to: Axle Assembly (205-02, Removal and Installation).