

2010.0 XF (X250), 303-01

ENGINE - V8 S/C 5.0L PETROL

CYLINDER BLOCK OIL GALLERY PLUG (G1451512)

REMOVAL AND INSTALLATION

REMOVAL

NOTES:

- Removal steps in this procedure may contain installation details.
- Some variation in the illustrations may occur, but the essential information is always correct.

1. Refer to: [Battery Disconnect and Connect](#) (414-01 Battery, Mounting and Cables, General Procedures).

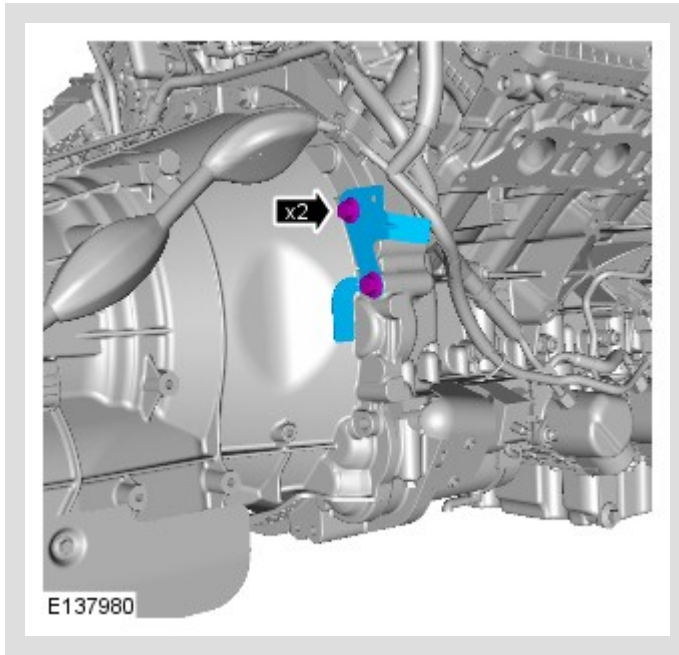
2.  **WARNING:**

Make sure to support the vehicle with axle stands.

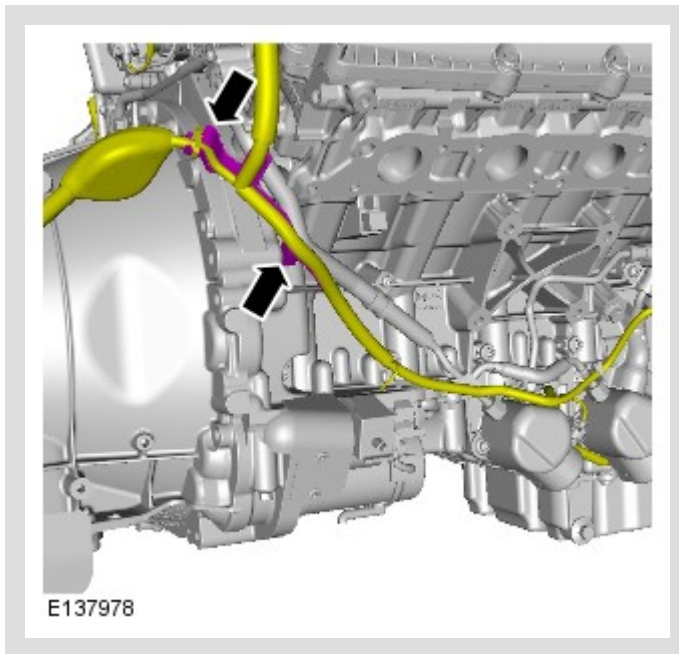
Raise and support the vehicle.

3. Refer to: [Exhaust Manifold RH](#) (303-01C Engine - V8 5.0L Petrol, Removal and Installation).

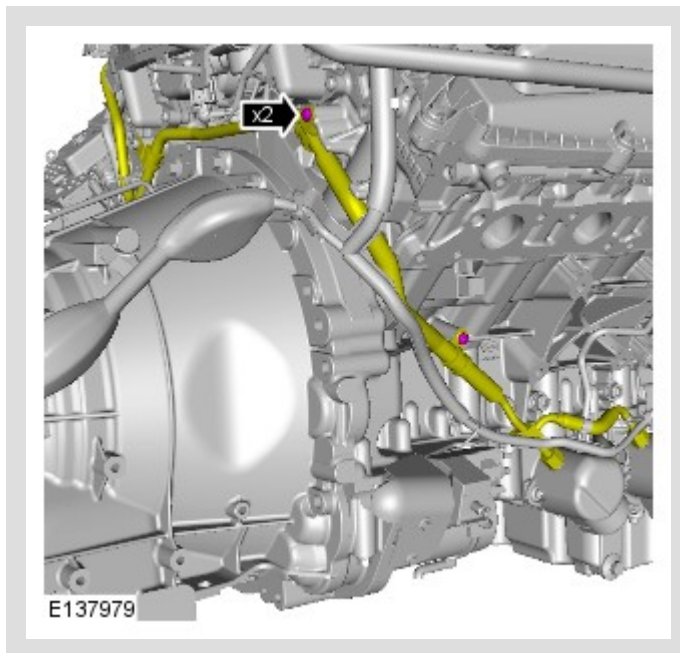
- 4.



5.



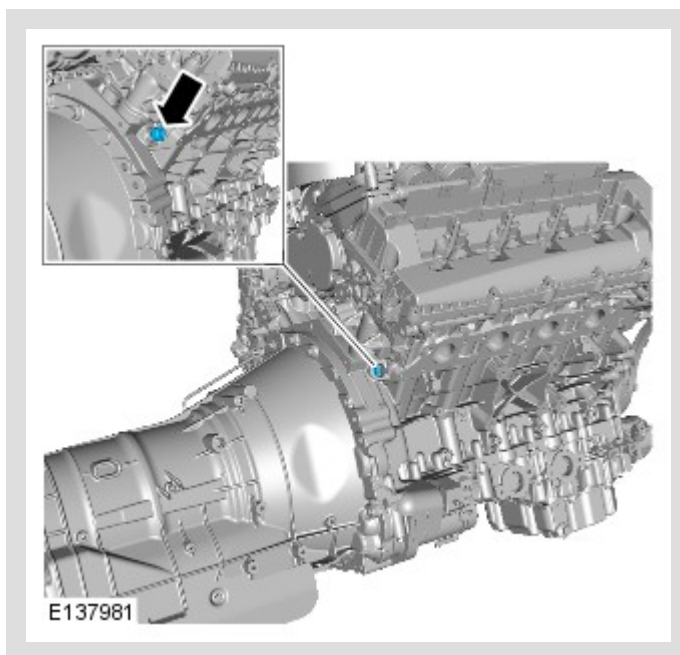
6.



7.

⚠ CAUTION:

Make sure that the mating faces are clean and free of corrosion and foreign material.



Torque:

Stage 1: **40 Nm**

Stage 2: **180°**

INSTALLATION

1. To install, reverse the removal procedure.