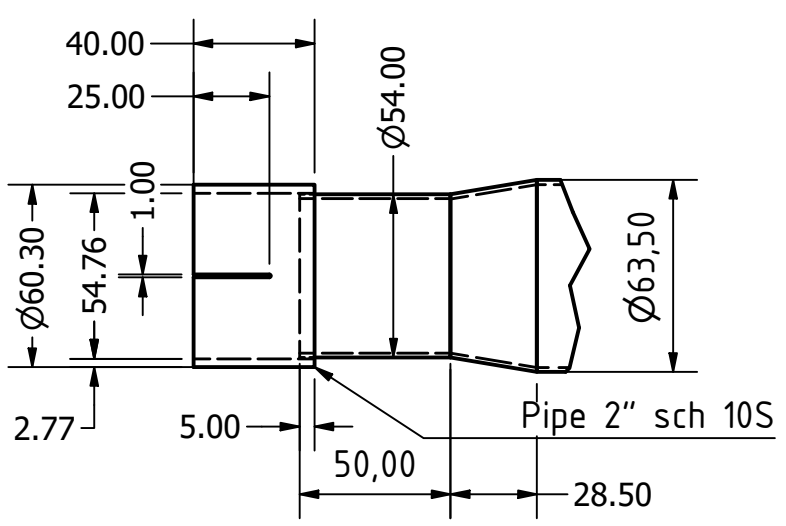
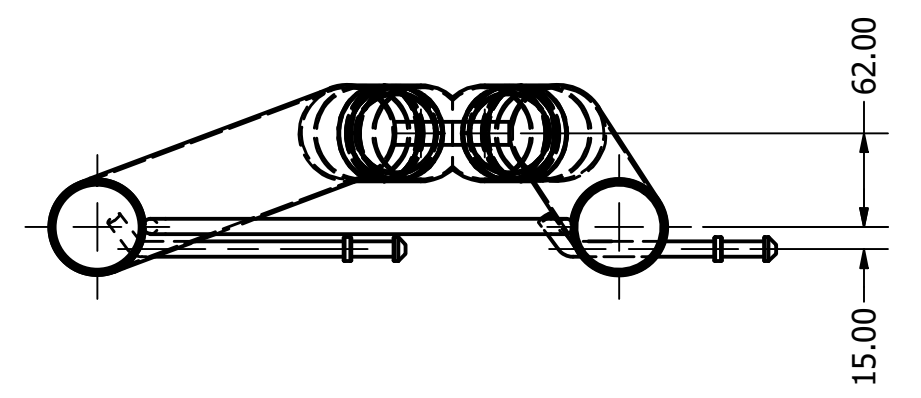
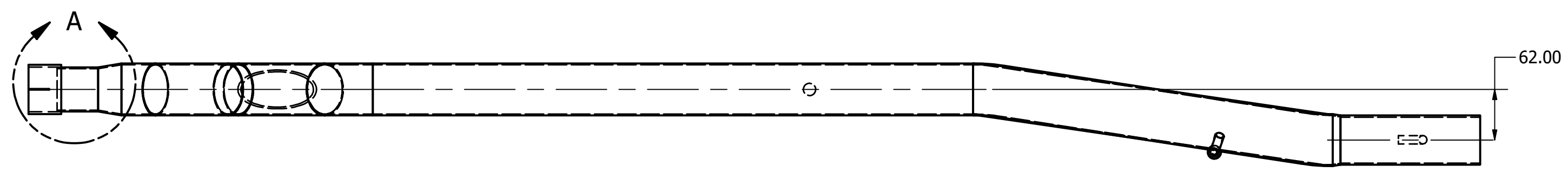
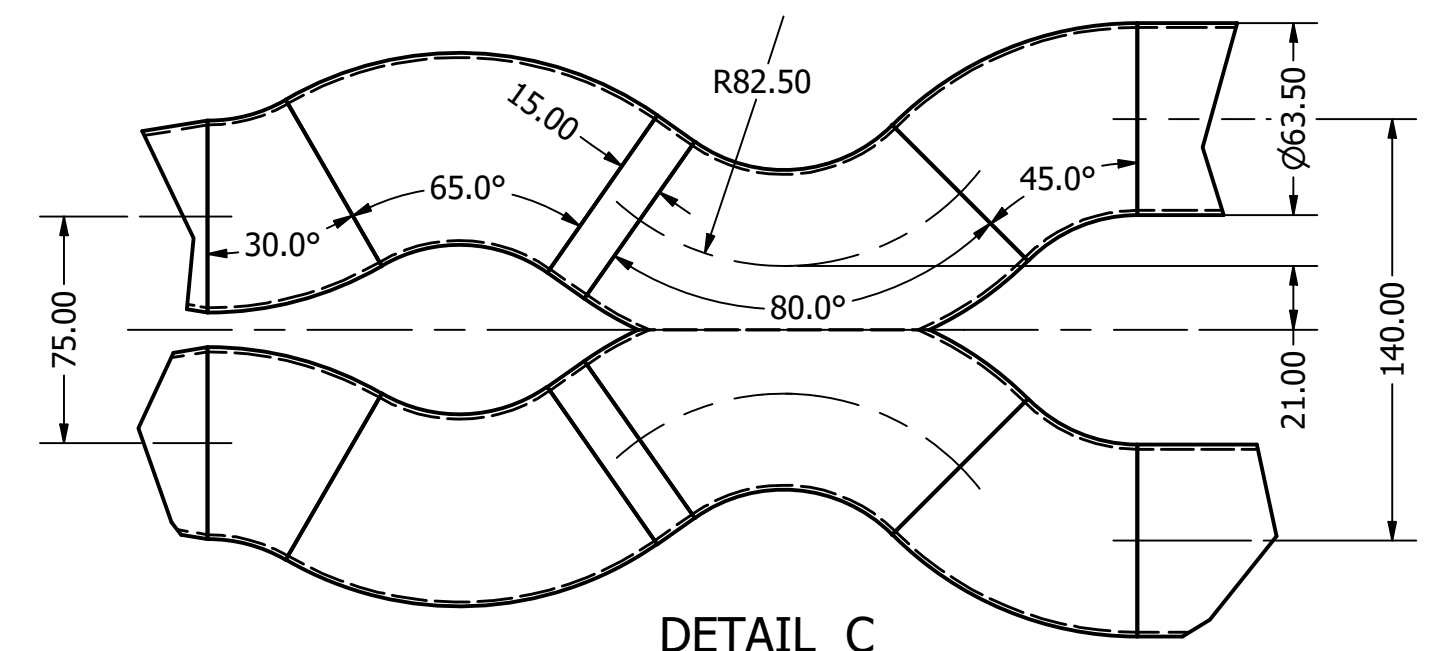
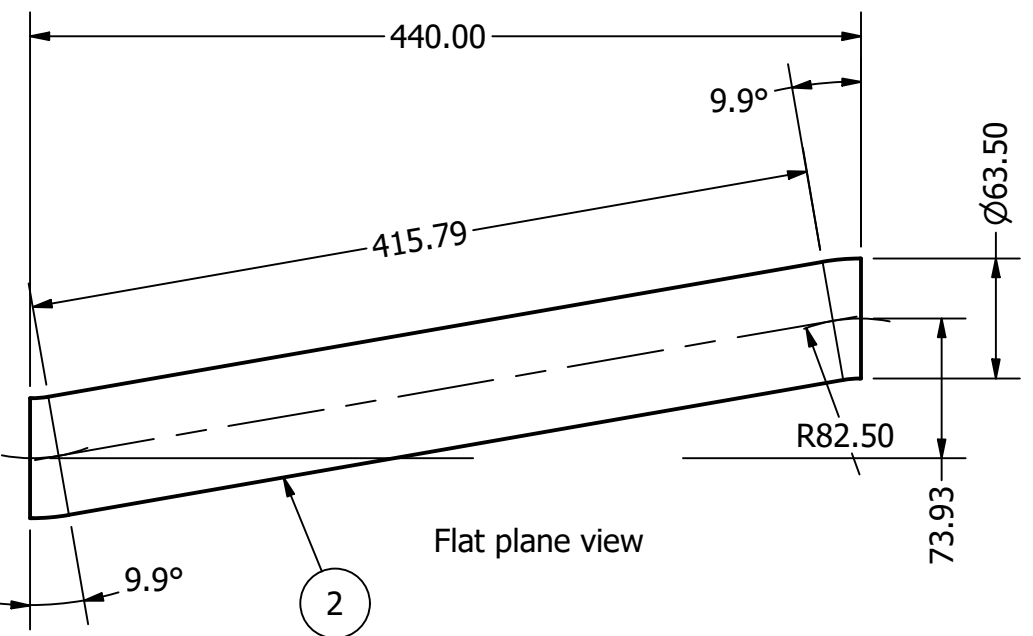
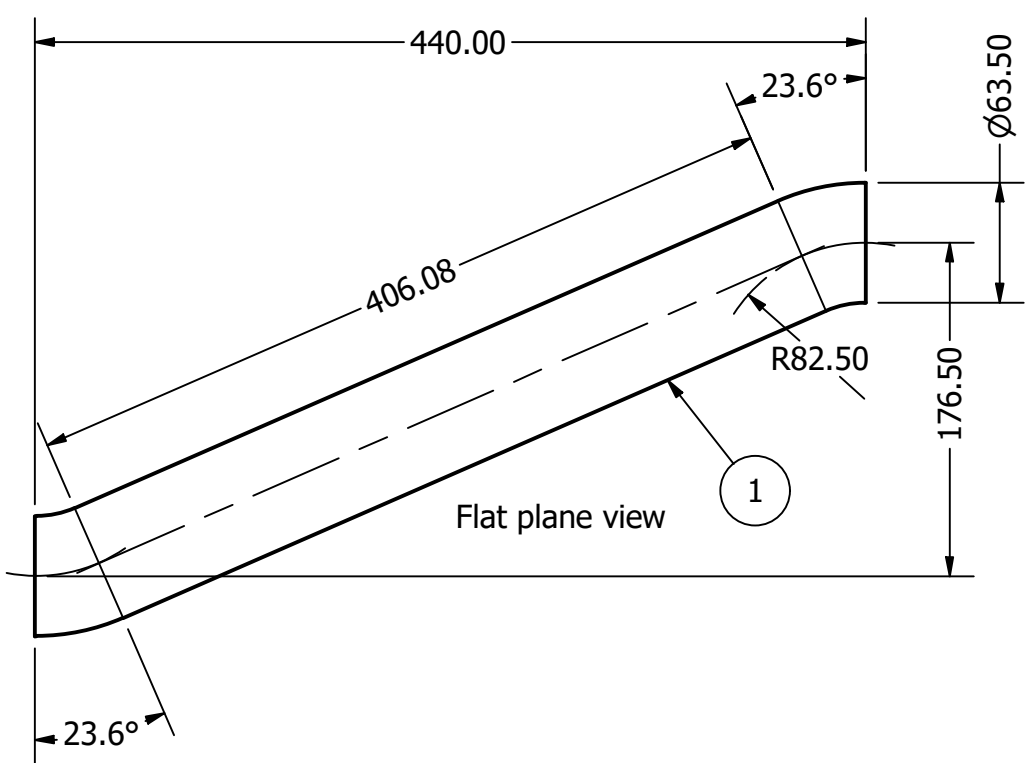


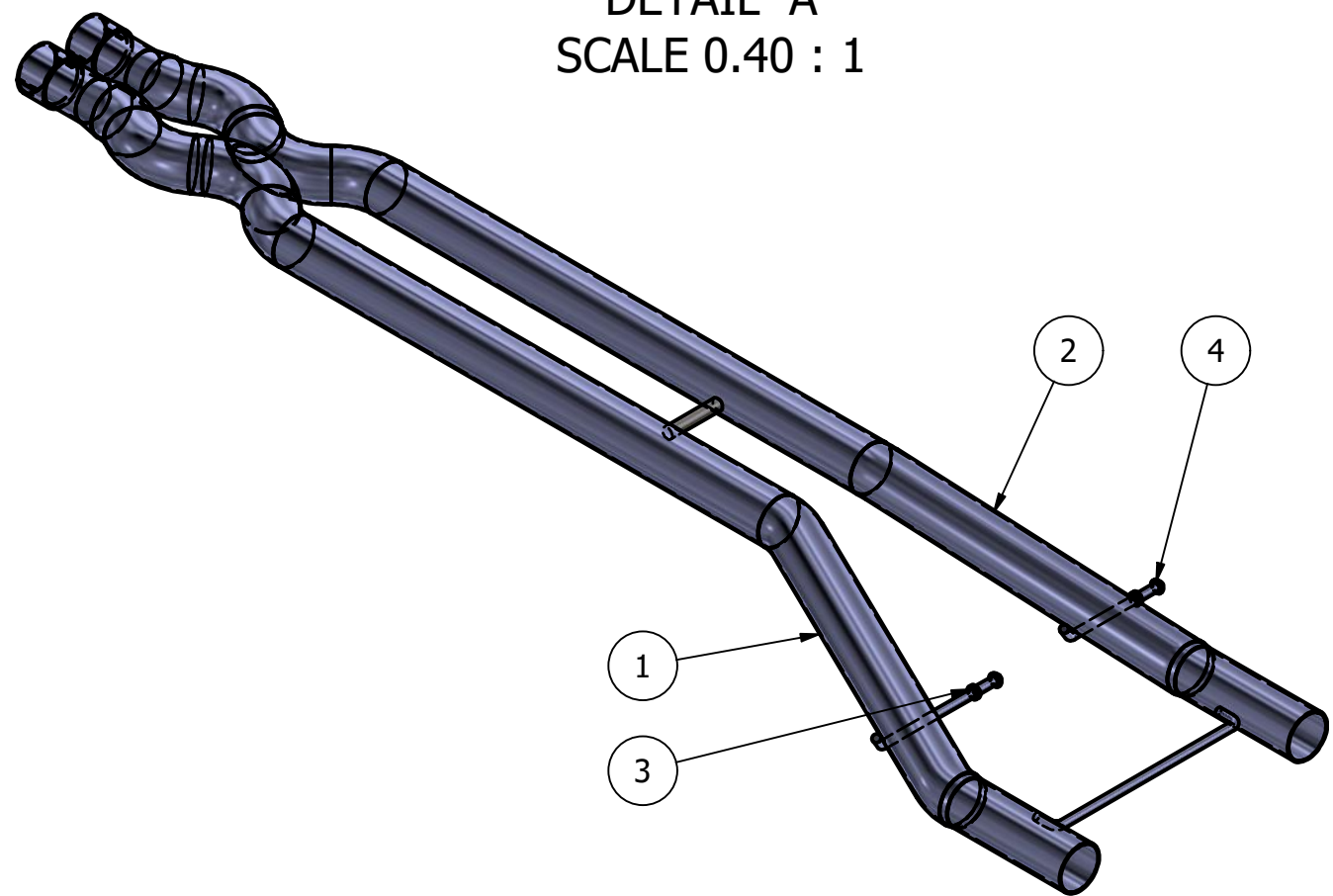
DETAIL B  
SCALE 1 : 1



DETAIL A  
SCALE 0.40 : 1



DETAIL C  
SCALE 0.40 : 1



DRAWN	Bart	6/6/2018	AISI 316		
CHECKED			TITLE		
QA			Assembly Exhaust midpipe XFR 2009-2011		
MFG			SIZE	DWG NO	REV
APPROVED			A2		
			SCALE	1 : 5	SHEET 1 OF 1