

Published: 11-May-2011

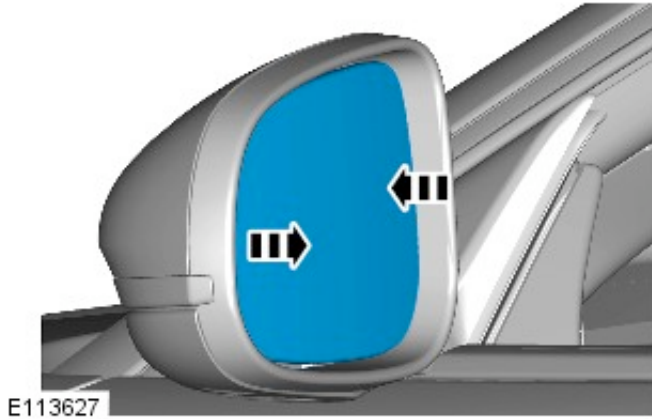
## Rear View Mirrors - Exterior Mirror Glass

Removal and Installation

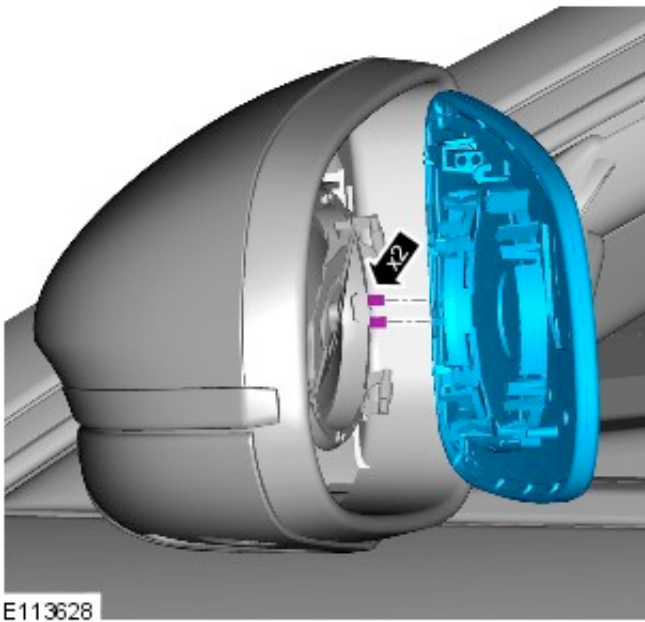
### Removal

NOTE: Removal steps in this procedure may contain installation details.

1.



2.



### Installation

1. NOTE: Note the fitted position of the locating pegs.  
To install, reverse the removal procedure.