

Published: 11-May-2011

Exterior Lighting - Approach Lamp

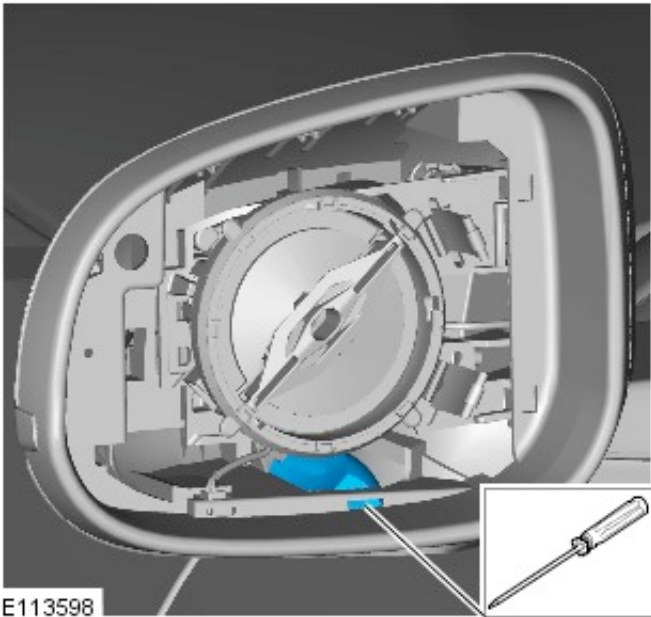
Removal and Installation

Removal

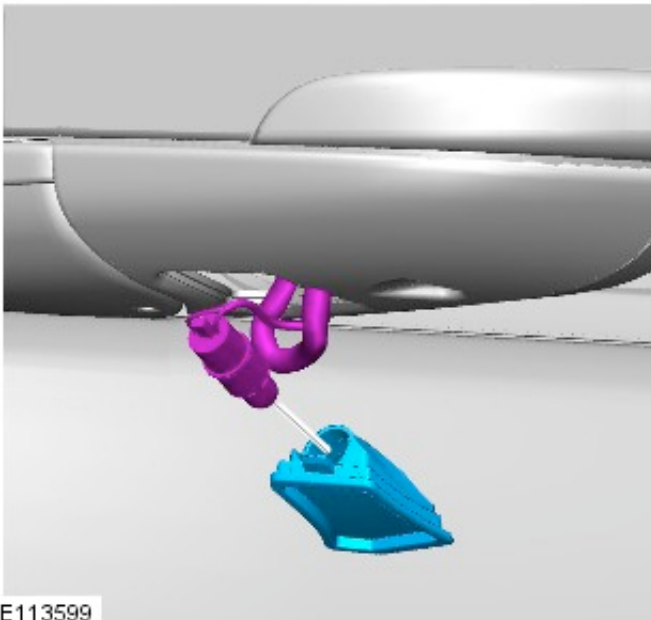
NOTE: Removal steps in this procedure may contain installation details.

1. Refer to: [Exterior Mirror Glass](#) (501-09 Rear View Mirrors, Removal and Installation).

- 2.



- 3.



Installation

1. To install, reverse the removal procedure.

