



Electrical Wiring Diagrams

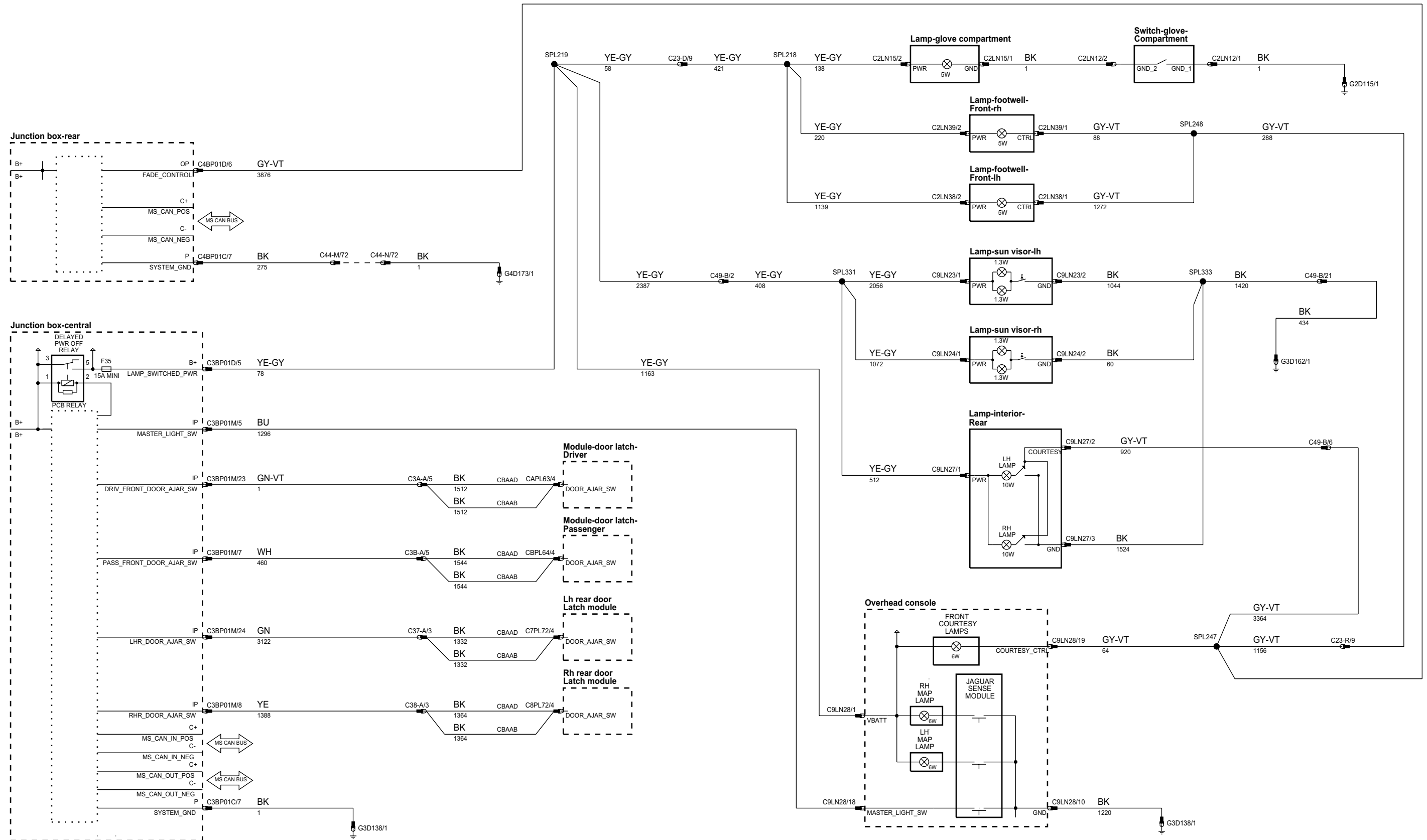


XF

(1a) VIN: S20753 >

phr83-70101-a-a4

C44-M/## - C44-N/##
 Ignore both connectors (drawn for harness manufacturing purposes)



phc83-70104-a-04

