

Published: 13-May-2021

2014.0 XF (X250), 204-01

Front Suspension

Front Wheel Bearing and Wheel Hub - AWD (G1574318)

REMOVAL AND INSTALLATION

- 60.25.03
- Front Wheel Bearing - Pair - Renew
- 3000 cc, AJ V6 (AJ126), Supercharged, 2WD
- 1.00
- USED WITHINS
-

USED WITHINS

[close](#)

- 60.25.01
- Front Wheel Bearing and Wheel Hub - Renew
- 3000 cc, AJ V6 (AJ126), Supercharged, 2WD
- 0.80
- USED WITHINS
-

USED WITHINS

[close](#)

Special Tool(s)



204-250

204-250

Wheel bearing install and removal tool



E117832

204-305

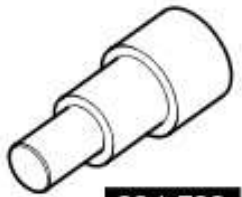
Remover, Wheel Bearing



E127496

204-327

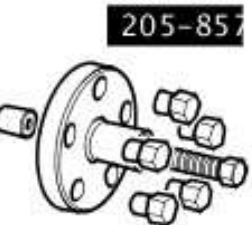
Remover, Ball Joint



E101990

204-726

Remover/Installer, Wheel Bearing



E79462

205-857

Remover, Halfshaft



E136166

JLR-204-807

Installer, Front Wheel Bearing



E136165

JLR-204-808

Installer, Front Wheel Bearing

JLR-204-811



E148962

JLR-204-811

Support, Hub

General Equipment

Equipment name

Center punch

Hydraulic press

Vise

Part(s)

Step	Part name	Quantity
------	-----------	----------

Installation Step 11 Front halfshaft nut 1

Removal

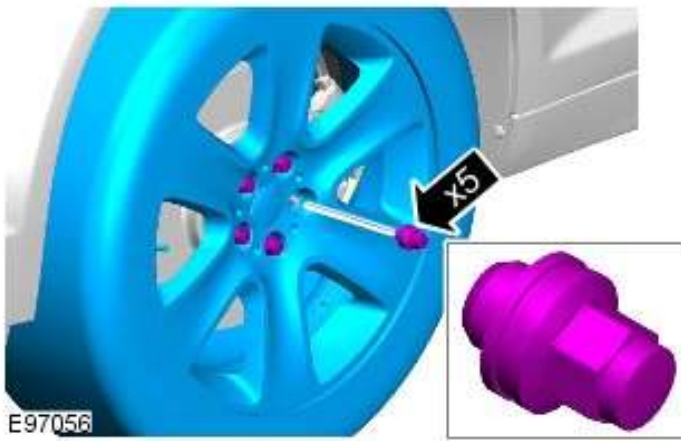
CAUTIONS:

- If a wheel bearing is damaged, both front wheel bearing and wheel hubs assemblies must be renewed as a pair.
- LH illustration shown, RH is similar.

NOTE:

Some variation in the illustrations may occur, but the essential information is always correct.

1.



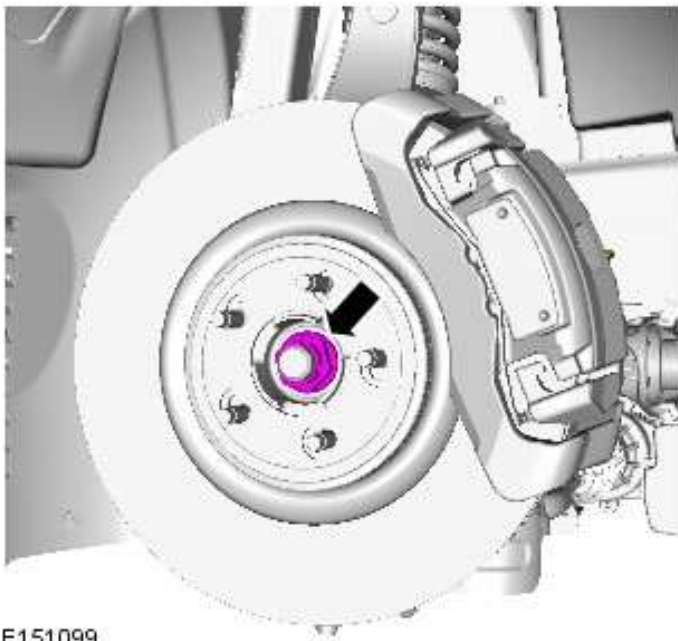
2.

WARNING:

This step requires the aid of another technician.

CAUTION:

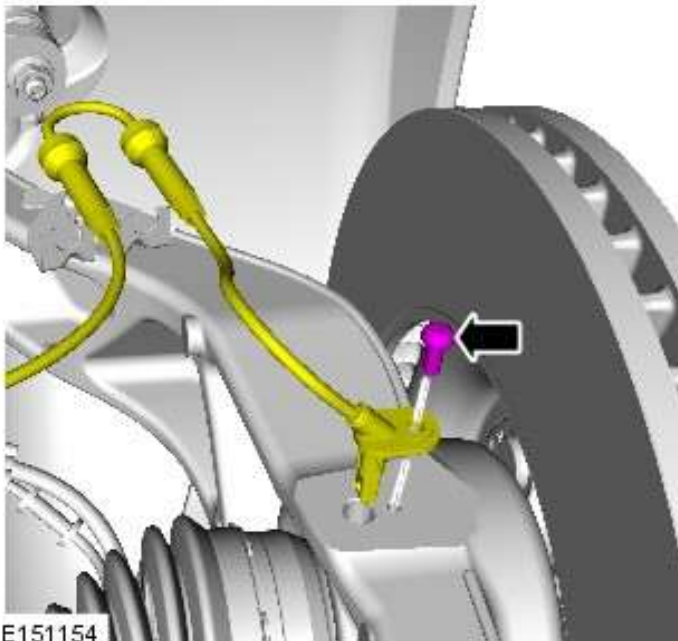
Care must be taken not to damage the component.



E151099

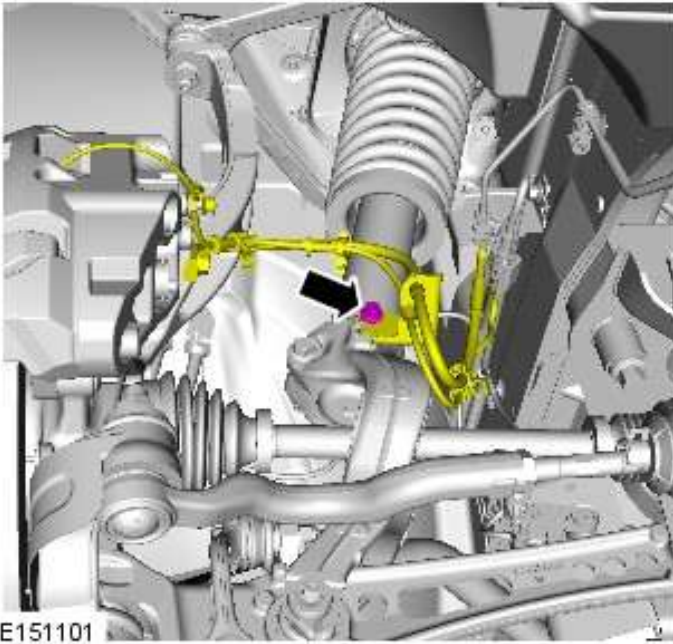
Remove and discard the nut.

3.

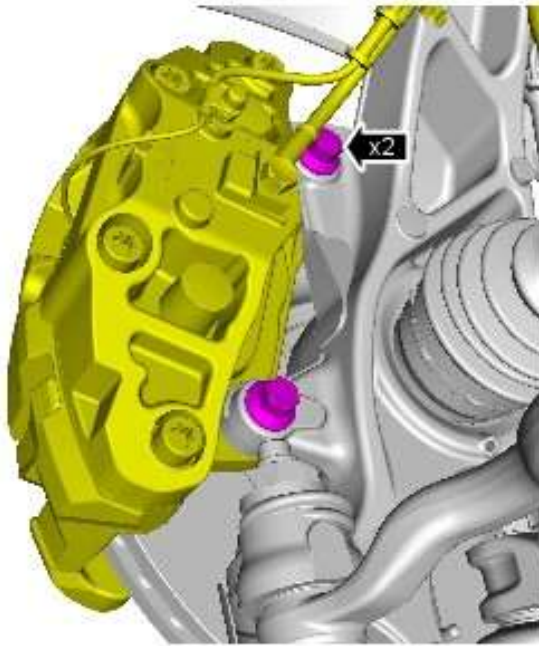


E151154

4.



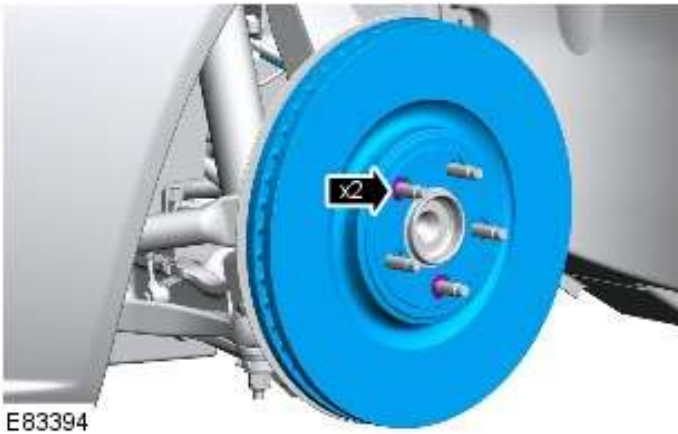
5.



E151138

- Remove and discard the 2 bolts.
- Position the brake caliper to one side.
- Secure with cable ties.

6.



E83394

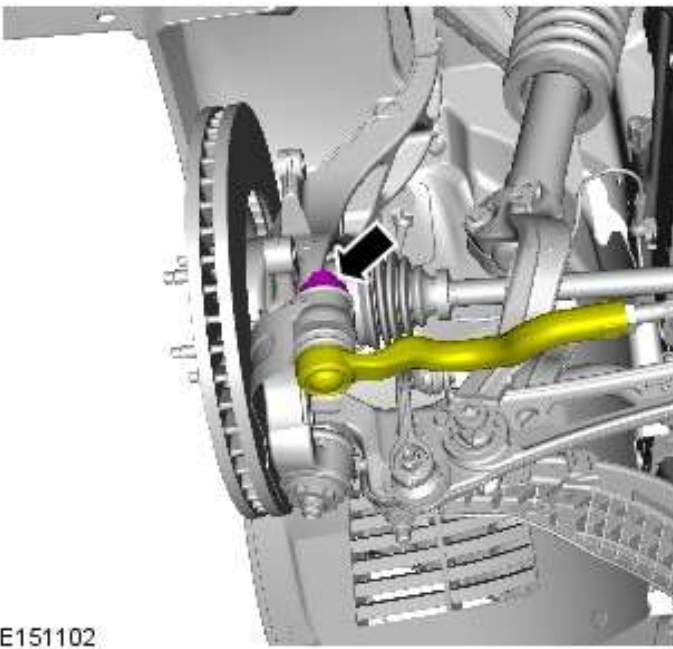
7.

CAUTIONS:

- Care must be taken not to damage the component.
- To prevent damage to the tie rods, use an additional wrench when loosening or tightening the components.

NOTE:

Discard the component.

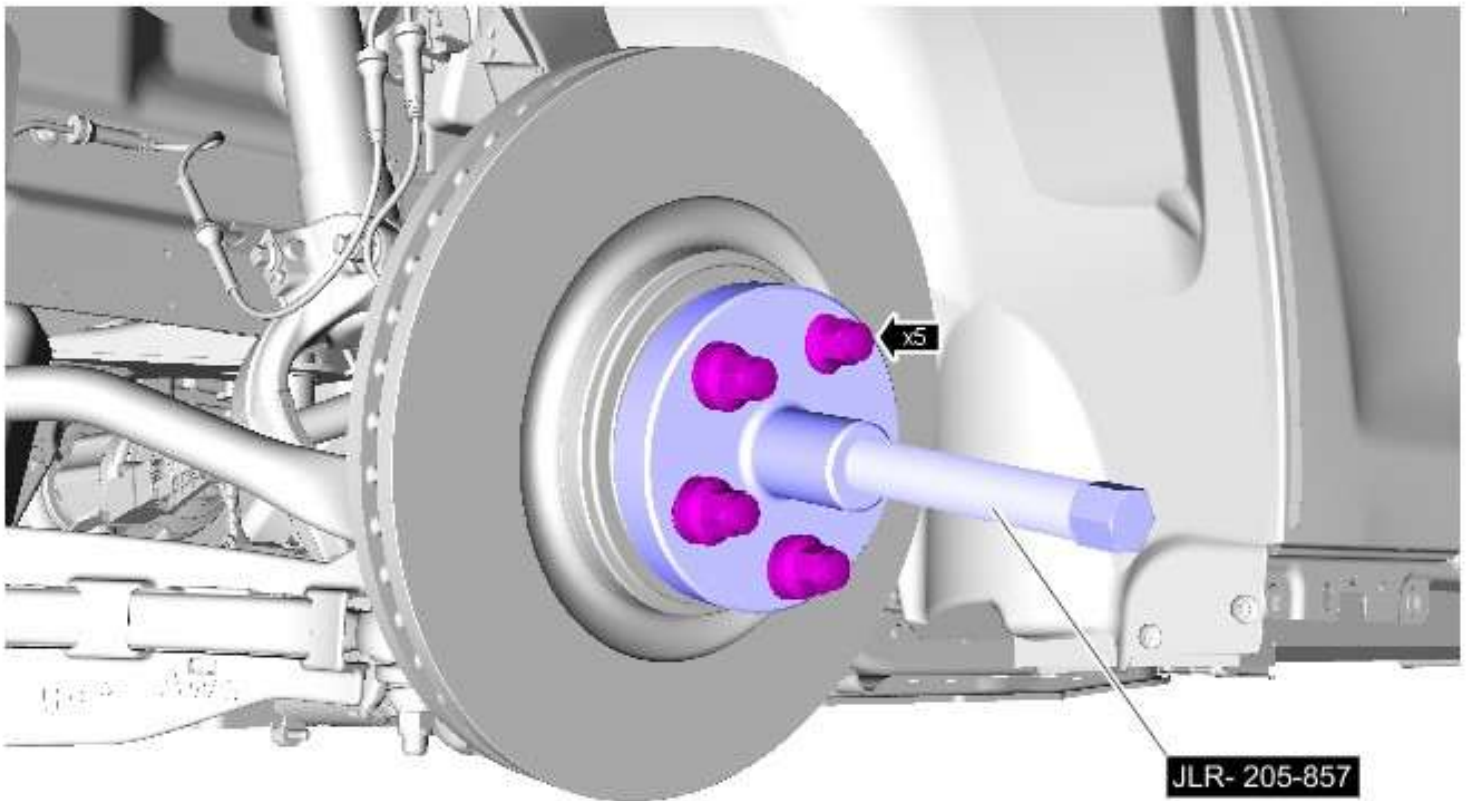


E151102

8.

NOTE:

Using the wheel nuts, secure the special tool.



E152331

Special Tool(s): [205-857](#)

9.

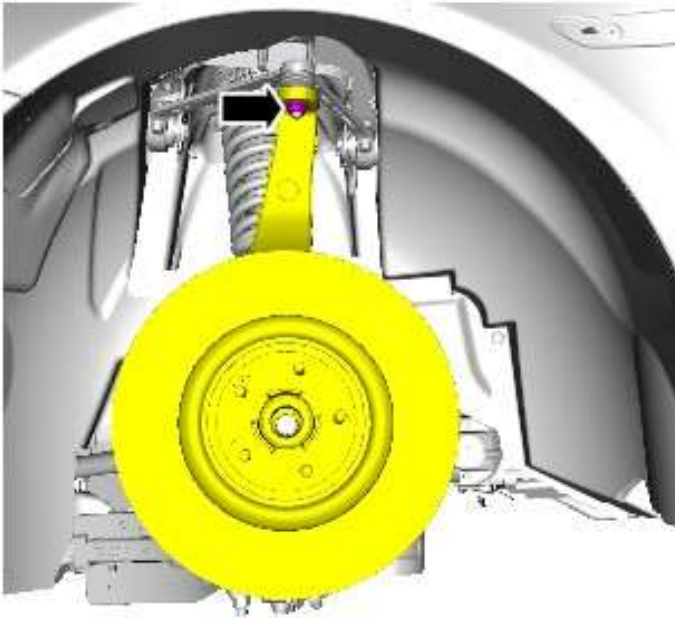
CAUTIONS:

- Make sure the wheel knuckle is supported. Failure to follow these instructions may result in damage to the vehicle.

- Use a jack to support the hub and lower arm.

NOTE:

Remove and discard the nut.



E152332

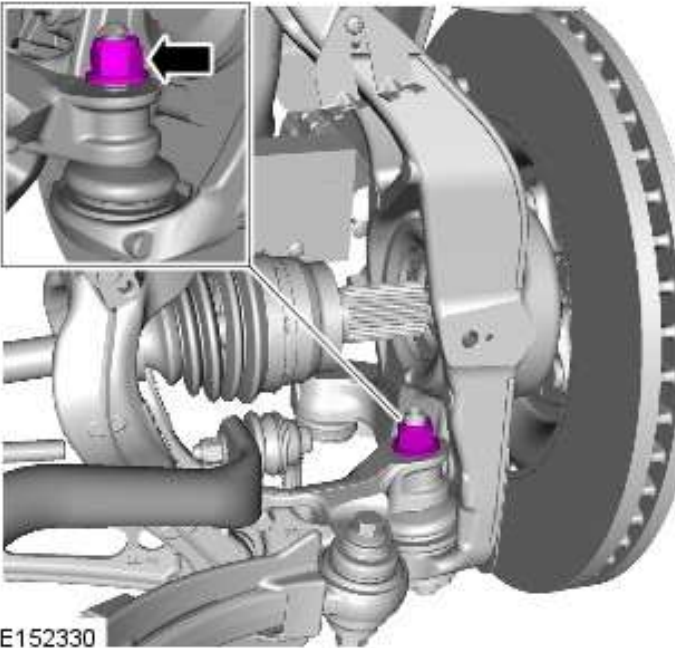
10.

CAUTION:

Prevent the rear lower arm ball joint ball pin hexagon from rotating. Failure to follow this instruction may result in damage to the lower ball joint boot.

NOTE:

Remove and discard the nut.



E152330

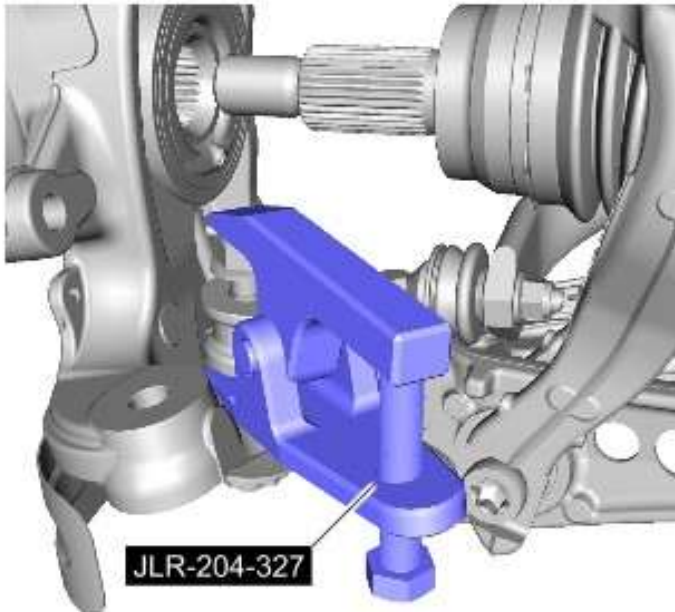
11.

WARNING:

Make sure the special tool is supported while carrying out the operation. Failure to follow this instruction may result in personal injury.

CAUTION:

Make sure the special tool is correctly located and the lower ball joint boot is not damaged while carrying out the operation. Failure to follow this instruction may result in damage to the component.



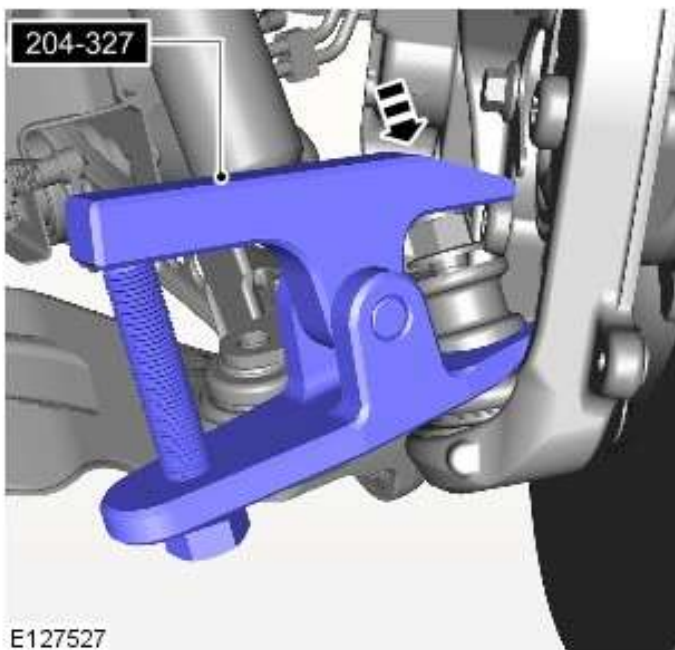
E152333

Special Tool(s): [204-327](#)

12.

NOTE:

Do not do this step if the rear lower arm ball joint released from the wheel knuckle lower pivot in the step above.



E127527

- Strike the top surface of the special tool directly above the rear lower arm ball joint at the point indicated using a copper mallet.

Special Tool(s): [204-327](#)

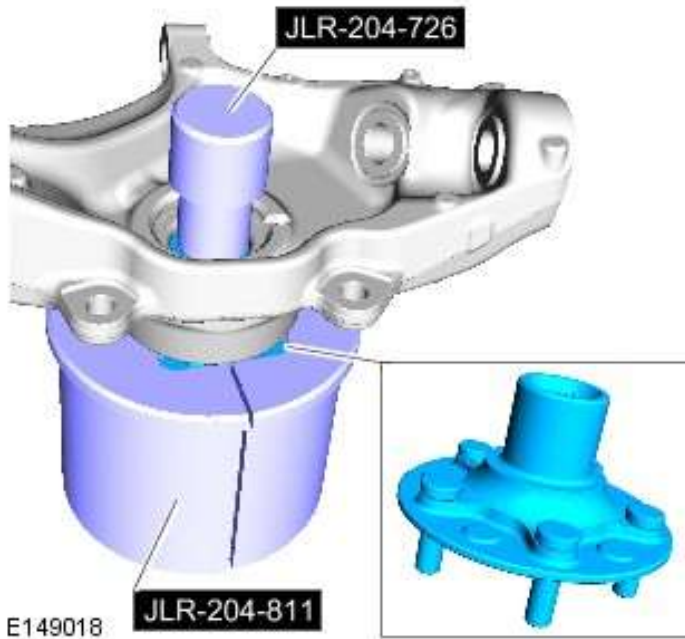
13.

WARNING:

Wear safety goggles.

CAUTION:

Do not attempt to release the wheel hub by hitting it with a hammer directly, loosen the wheel hub retaining bolts partially before applying an even amount of force to the head of each bolts to release the wheel hub from the wheel knuckle. Failure to follow this instruction may cause damage to the component.

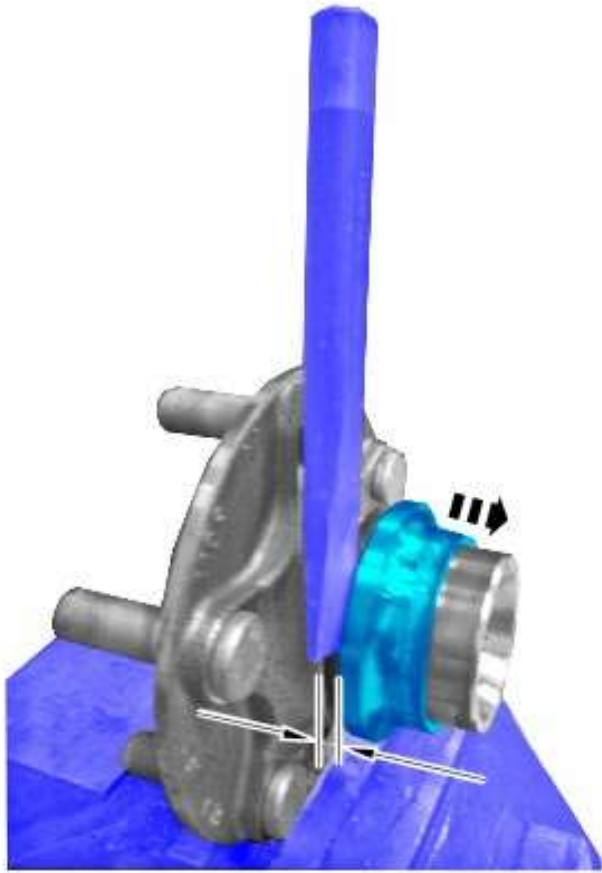


Special Tool(s): [204-726](#), [JLR-204-811](#)

14.

CAUTION:

Care must be taken not to damage the component.



E136316

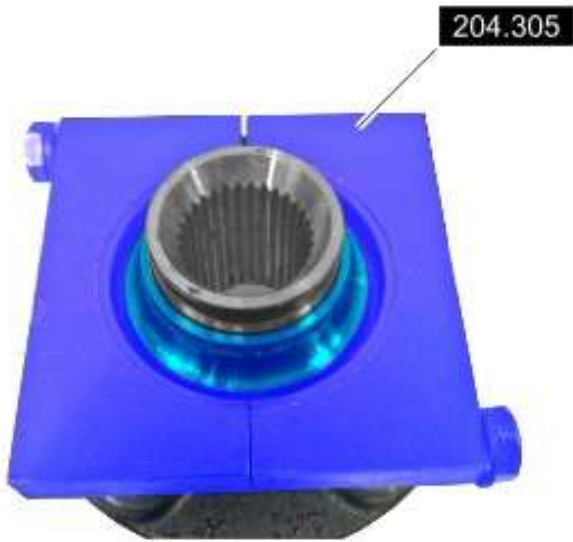
General Equipment: [Vise](#)

General Equipment: [Center punch](#)

15.

NOTES:

- Using the special tool press the race off the hub.
- Discard the component.



E136317

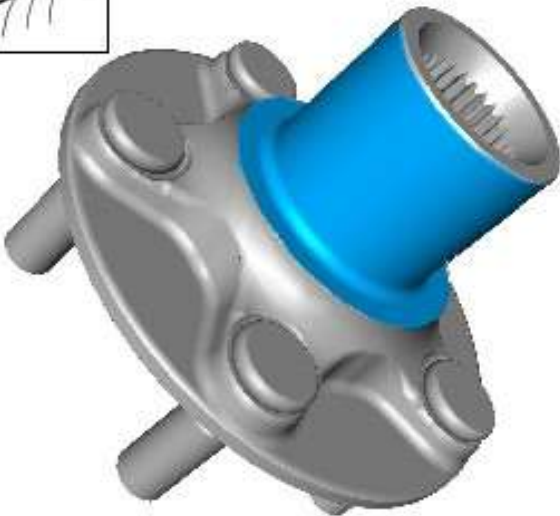
Special Tool(s): [204-305](#)

General Equipment: [Hydraulic press](#)

16.

NOTE:

Clean all the mating faces and reusable parts thoroughly and check for damage.

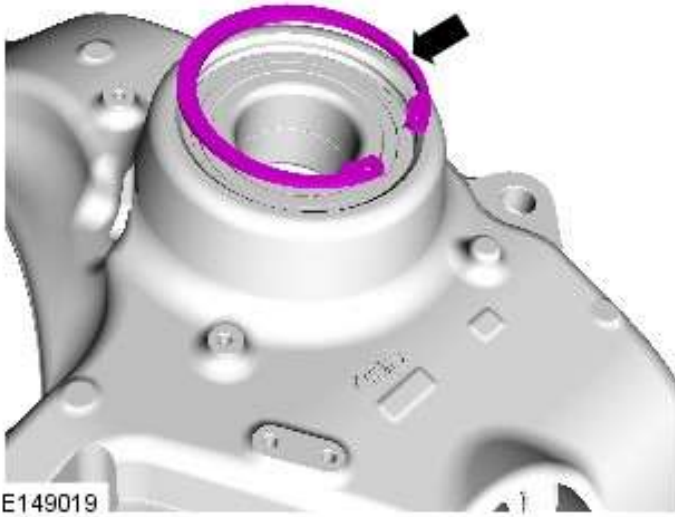


E136320

17.

CAUTION:

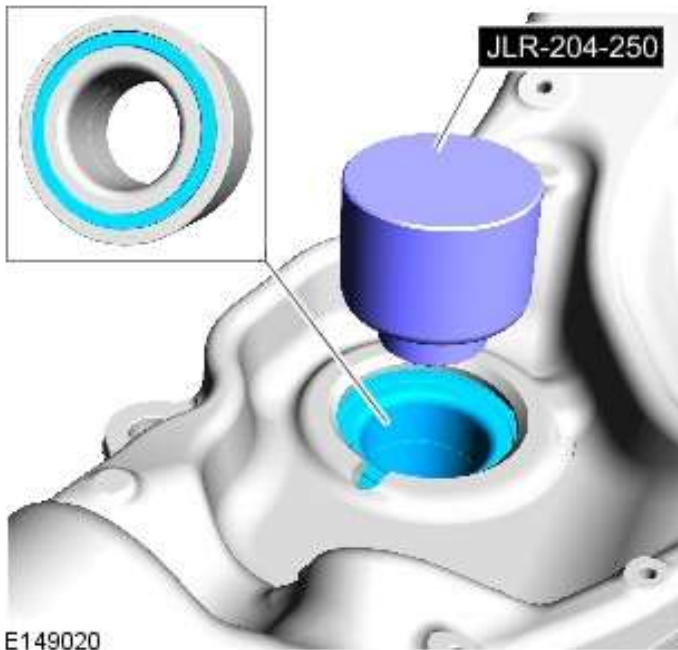
Discard the component.



18.

NOTES:

- Note the fitted position of the component/s prior to removal.
- Discard the component.



Special Tool(s): [204-250](#)

Installation

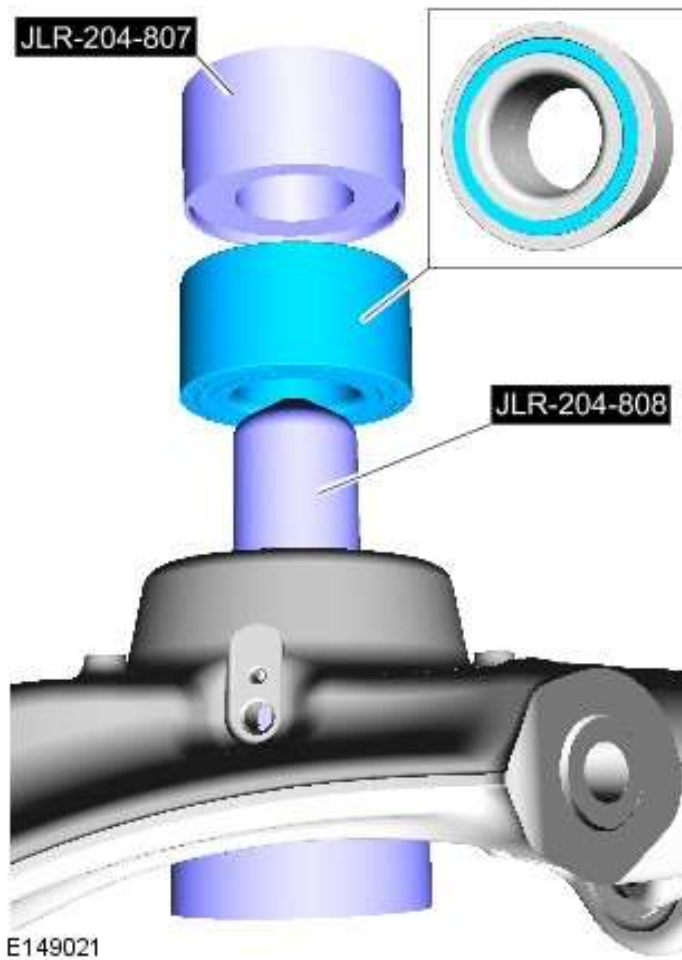
1.

CAUTION:

Make sure that the area around the component is clean and free of foreign material.

NOTE:

Make sure that this component is installed to the noted removal position.

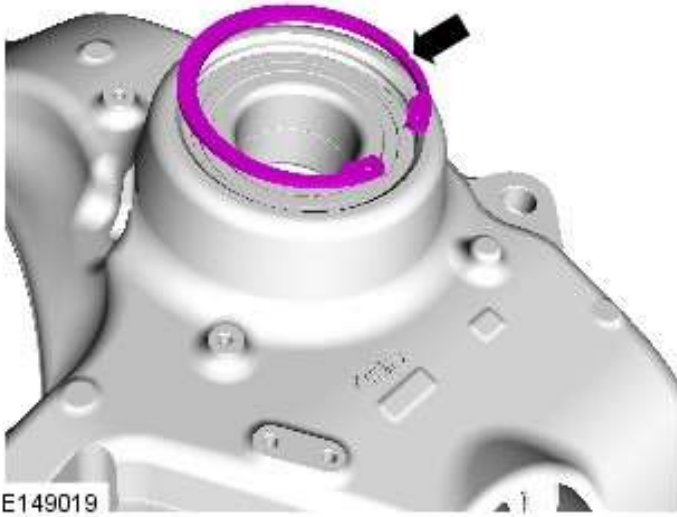


- *Special Tool(s):* [JLR-204-807](#)
- *Special Tool(s):* [JLR-204-808](#)

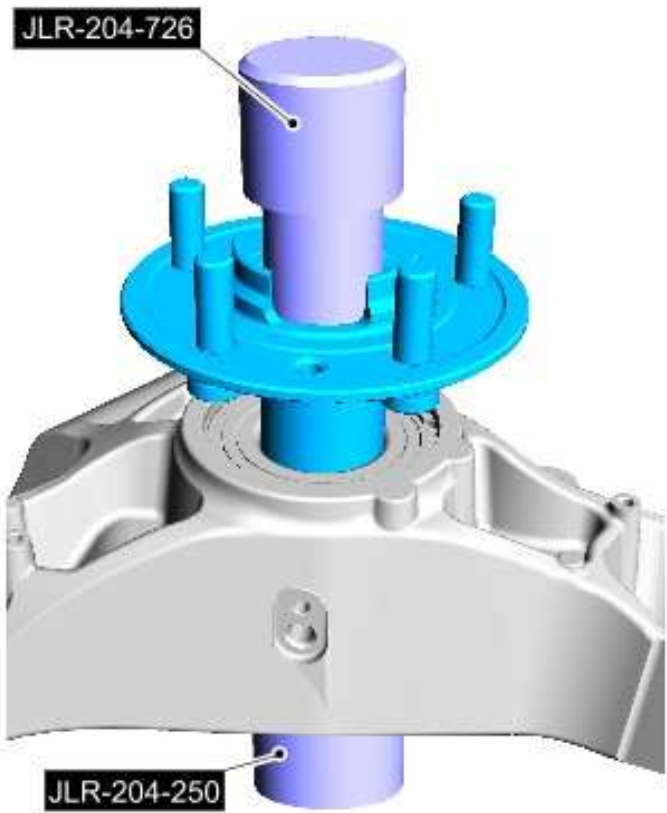
2.

CAUTION:

Make sure that a new component is installed.



3.



E152319

○ *Special Tool(s):* [204-726](#), [204-250](#)

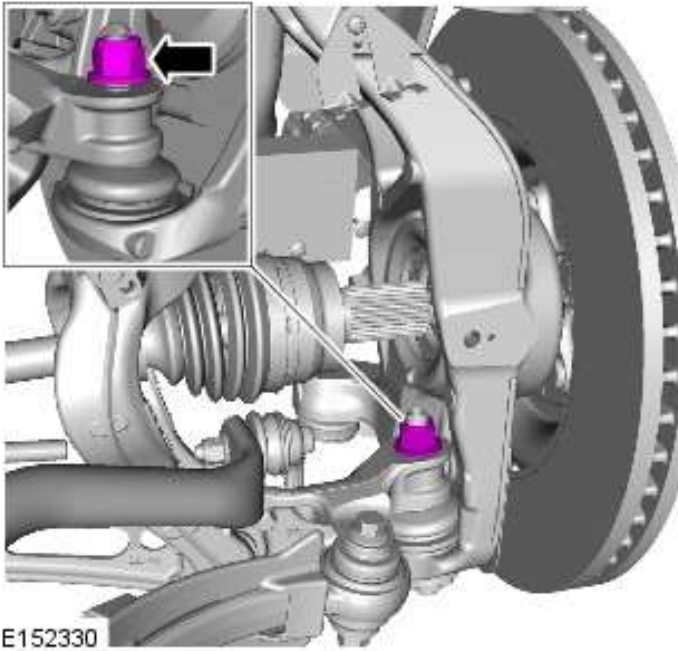
4.

WARNING:

Make sure that a new nut is installed.

CAUTION:

Prevent the rear lower arm ball joint ball pin hexagon from rotating. Failure to follow this instruction may result in damage to the lower ball joint boot.



Torque: 133Nm

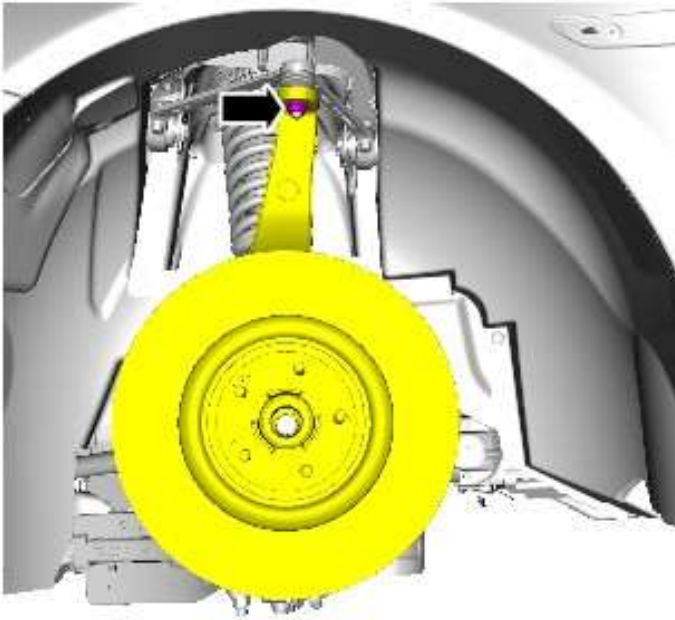
5.

WARNINGS:

- Make sure that a new nut is installed.
- Use a jack to support the hub and lower arm.

CAUTION:

Make sure the wheel knuckle is supported. Failure to follow these instructions may result in damage to the vehicle.



E152332

Torque: 90Nm

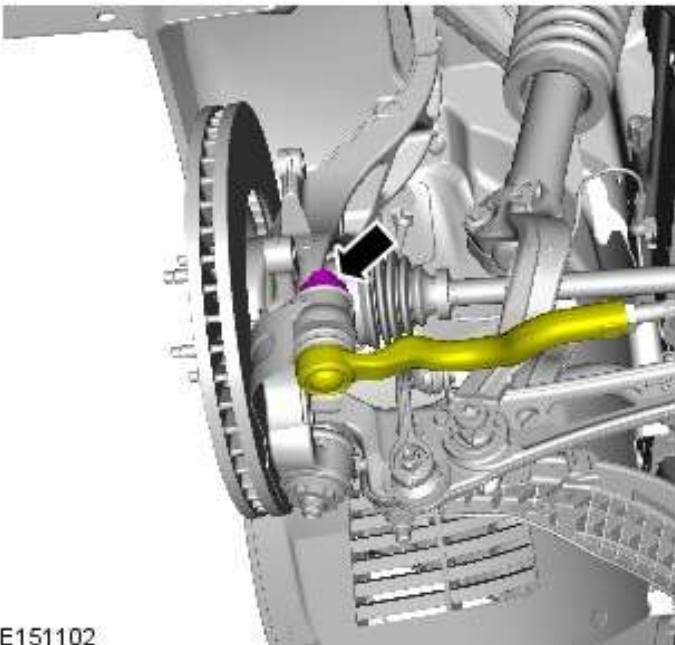
6.

WARNING:

Make sure that a new nut is installed.

CAUTIONS:

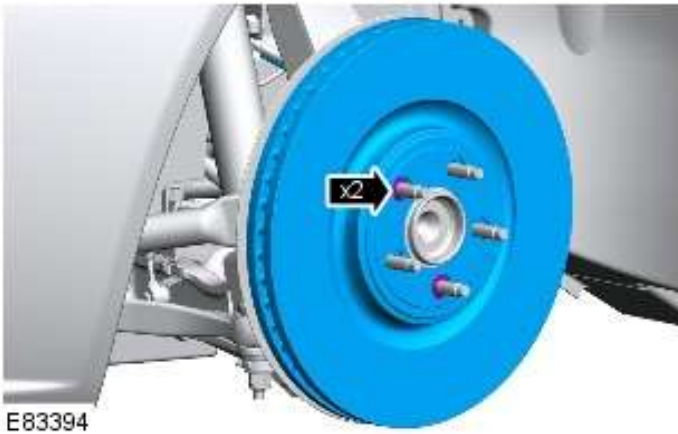
- Care must be taken not to damage the component.
- To prevent damage to the tie rods, use an additional wrench when loosening or tightening the components.



E151102

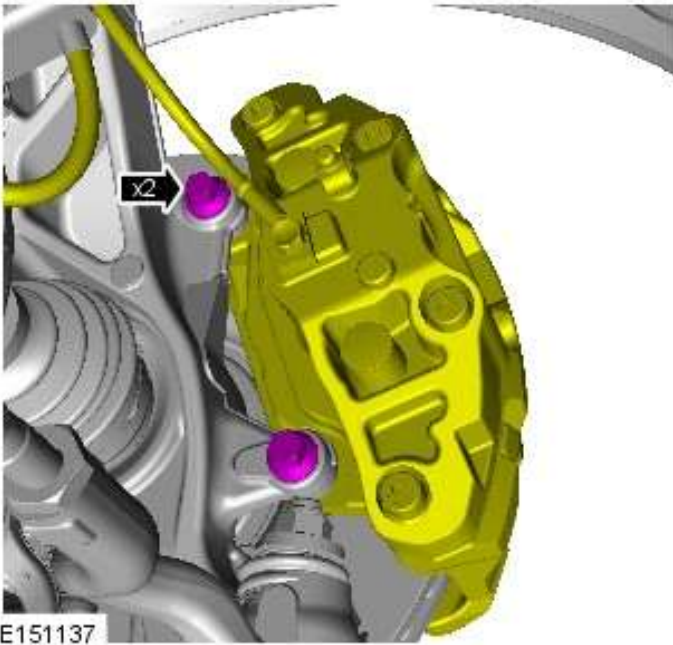
Torque: 133Nm

7.



E83394

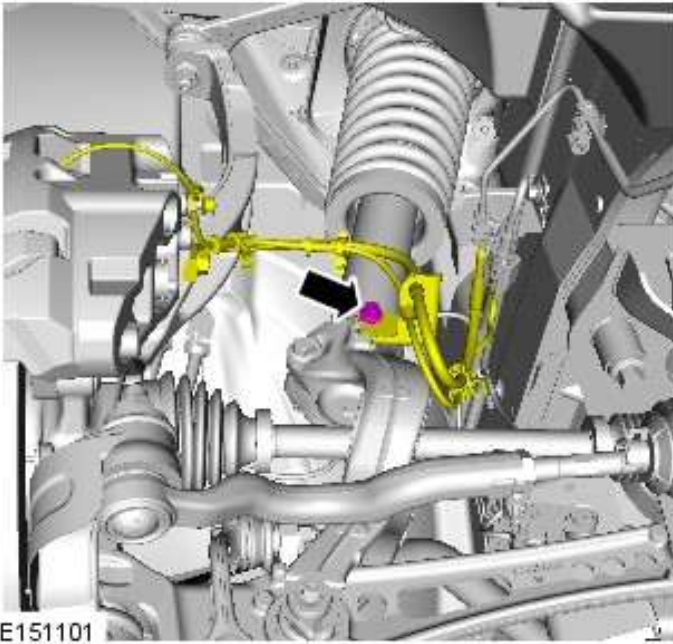
8.



E151137

- Install the brake caliper.
- Install and tighten the 2 new bolts.
Torque: 115Nm

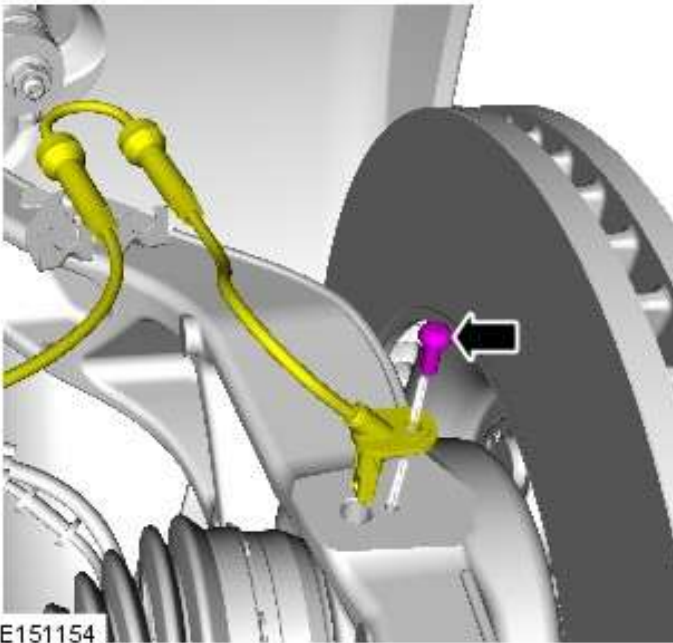
9.



E151101

Torque: 20Nm

10.



E151154

Torque: 6Nm

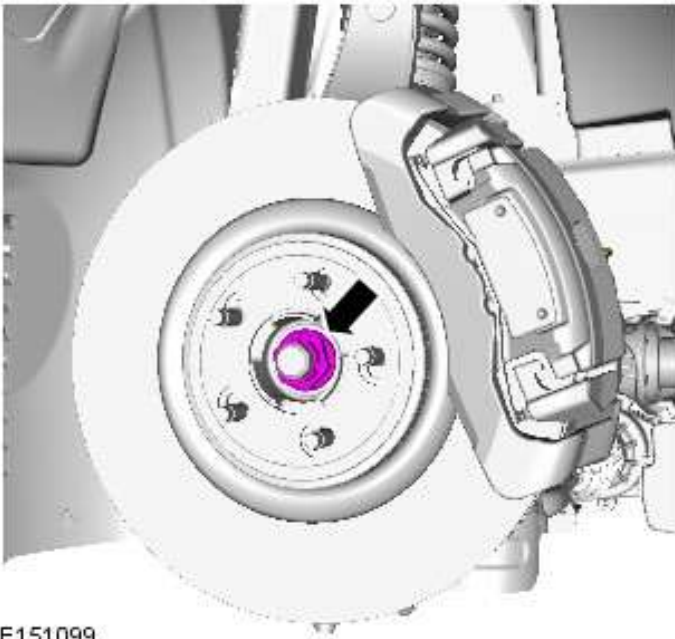
11.

WARNING:

This step requires the aid of another technician.

CAUTION:

Do not use air tools to install the nut. Failure to follow this instruction may result in damage to the component.



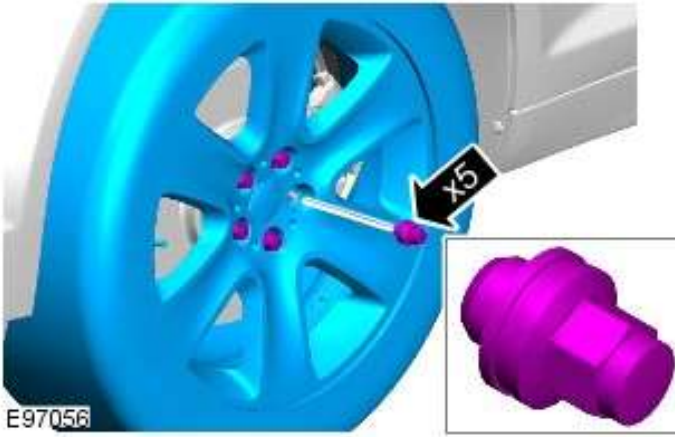
E151099

Install and tighten a new nut.

Renew Part: [Front halfshaft nut](#) Quantity: 1.

Torque: 300Nm

12.



E97056

Torque: 125Nm