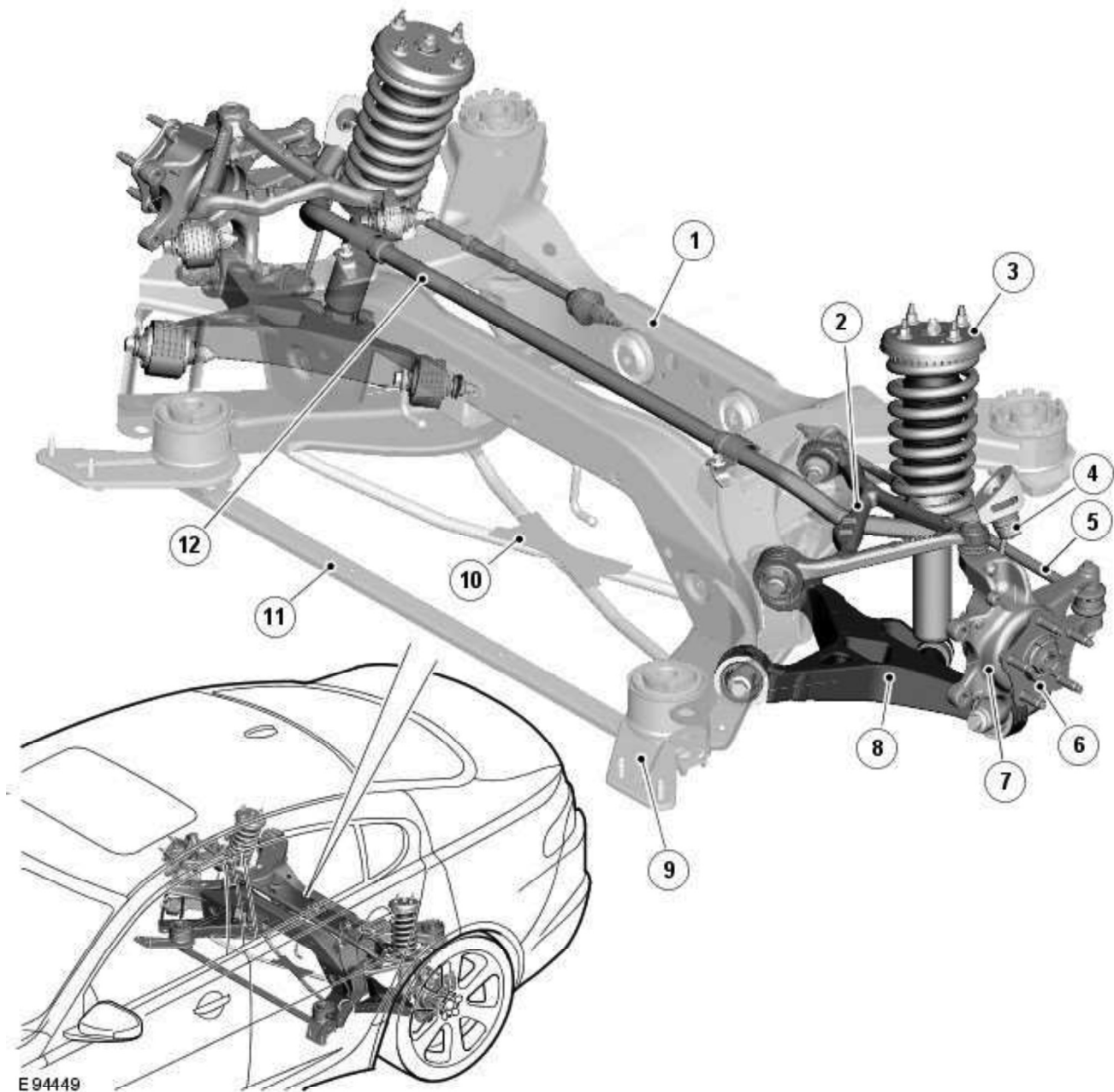


Rear Suspension - Rear Suspension - Component Location

Description and Operation

COMPONENT LOCATION



E 94449

Item	Description
1	Subframe
2	Upper control arm
3	Spring and damper assembly
4	Stabilizer bar link
5	Toe link
6	Wheel hub and bearing assembly
7	Wheel knuckle
8	Lower control arm
9	Shear bracket

10	Cross brace
11	Single brace
12	Stabilizer bar