

**Special Tool 303-623 –  
Release Tool for Quick-fit Connectors****MODEL**1997 MY-ON XK8 Range  
1998 MY-ON V8 XJ Series**VIN**001001-ON  
812256-ON**Issue:**

Special Tool 303-623 has been introduced to release the quick-fit connectors found in the engine compartment of the above vehicles.

**Action:**

To disconnect quick-fit connectors, use special tool 303-623 (Illustration 1) as described on the following page.

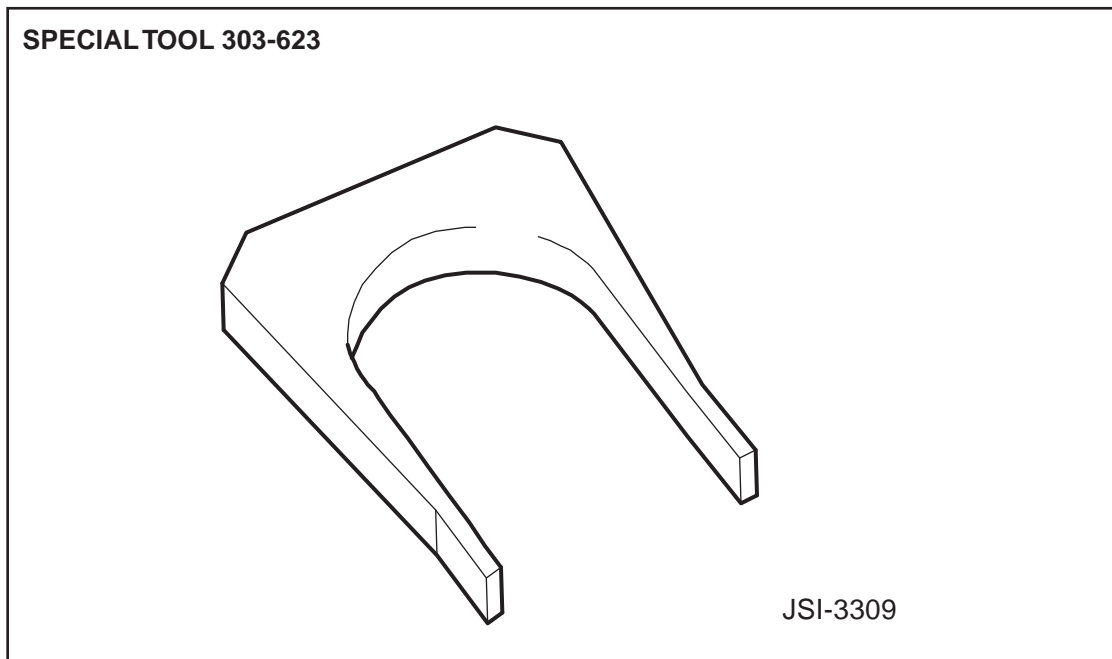


ILLUSTRATION 1

**USING SPECIAL TOOL 303-323**

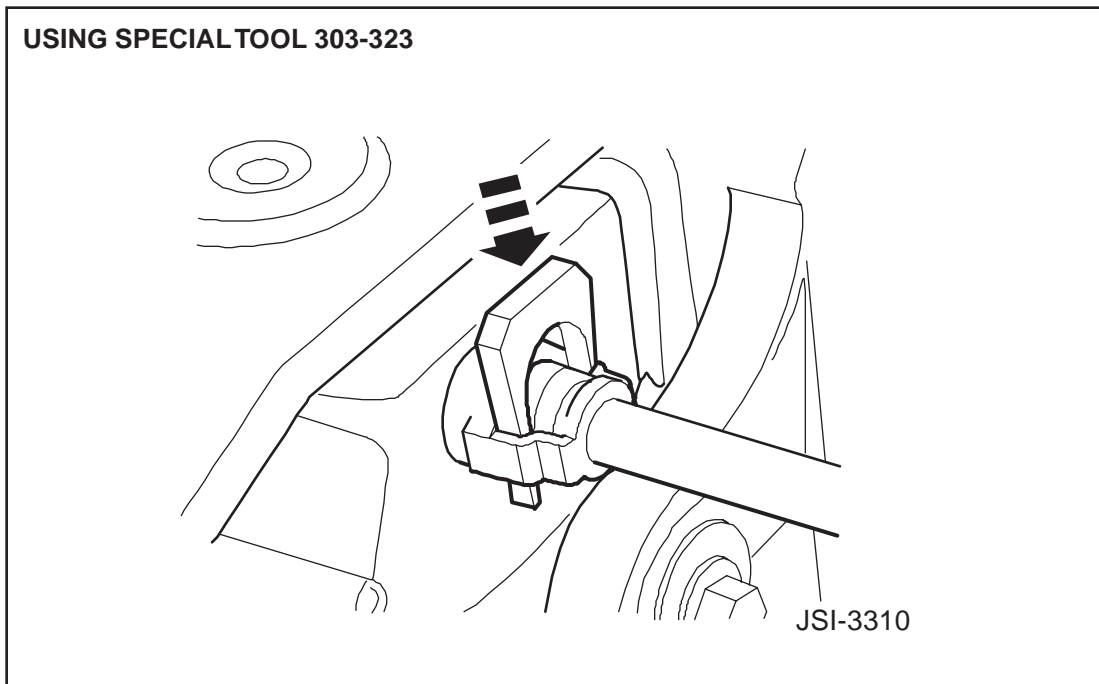


ILLUSTRATION 2

1. Insert the legs of the releasing tool between the body and side braces of the quick-fit connector (Illustration 2).
2. Apply steady pressure to the top of the releasing tool to spread the connector's side braces.
3. While applying pressure to the top of the releasing tool, gently pull on the connector body until it releases from the connector nipple.