

Bumpers - Front Bumper Cover

Removal and Installation

Removal

NOTES:



Removal steps in this procedure may contain installation details.



The ignition must be switched off.

1. Refer to: [Battery Disconnect and Connect](#) (414-01 Battery, Mounting and Cables, General Procedures).

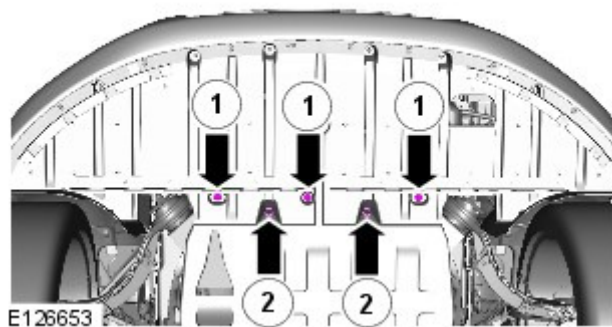
2.  **WARNING:** Make sure to support the vehicle with axle stands.

Raise and support the vehicle.

3. Remove both the front wheels and tires.

Refer to: [Wheel and Tire](#) (204-04 Wheels and Tires, Removal and Installation).

4. *Torque:*
1 7 Nm
2 3.2 Nm



5. NOTES:

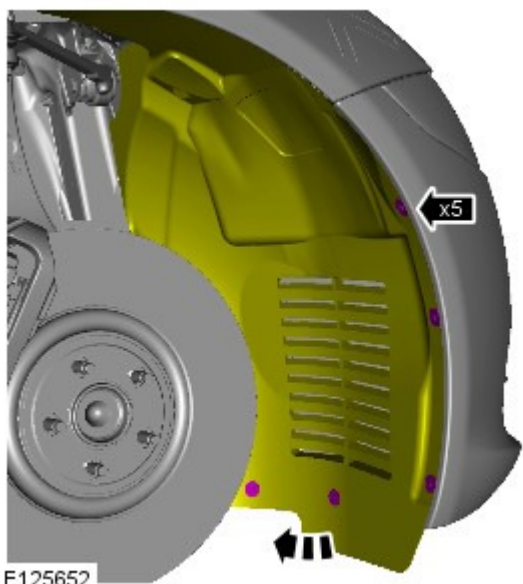


RH illustration shown, LH is similar.

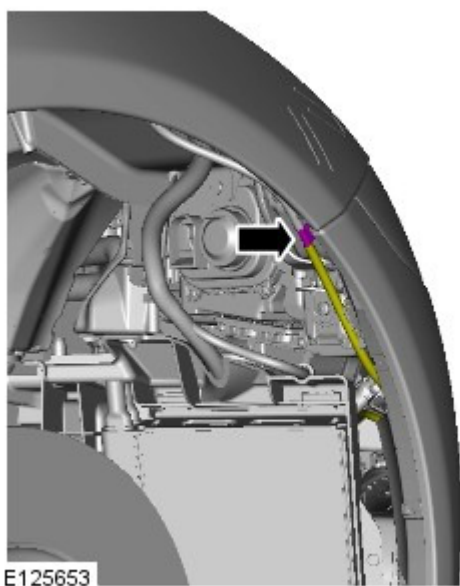


The procedure must be carried out on both sides.

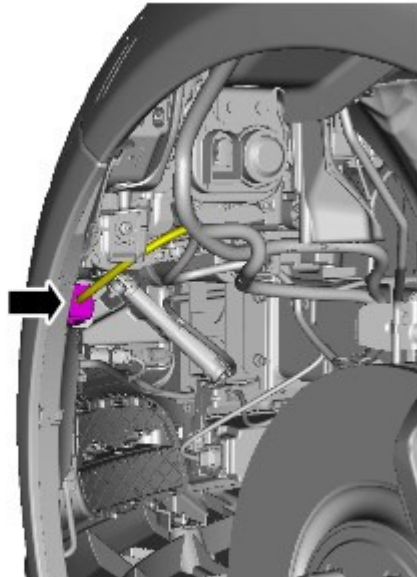
Torque: 1.5 Nm



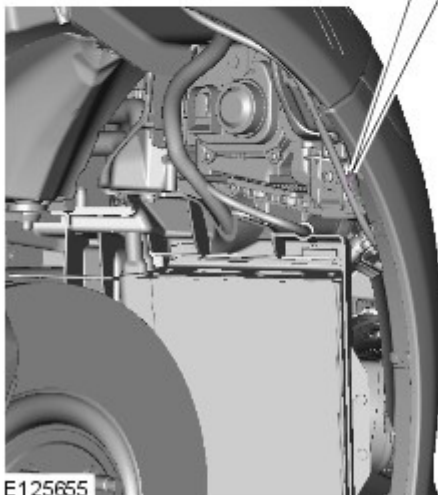
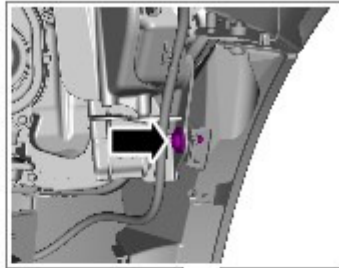
6.



7.




E125654



E125655

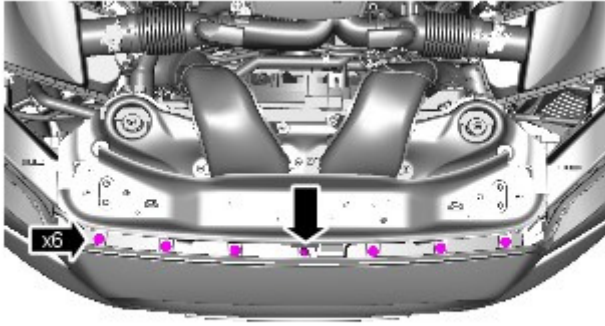
8. NOTES:

 RH illustration shown, LH is similar.

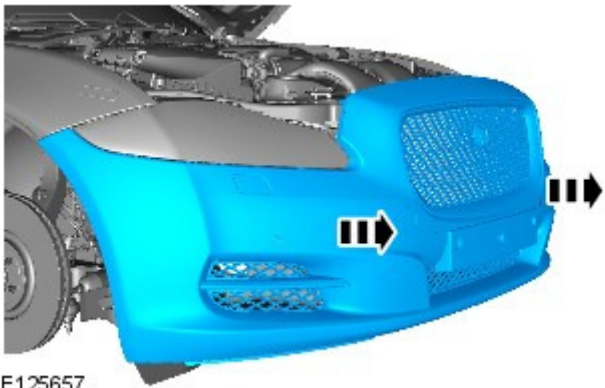
 The procedure must be carried out on both sides.

Torque: 3.2 Nm

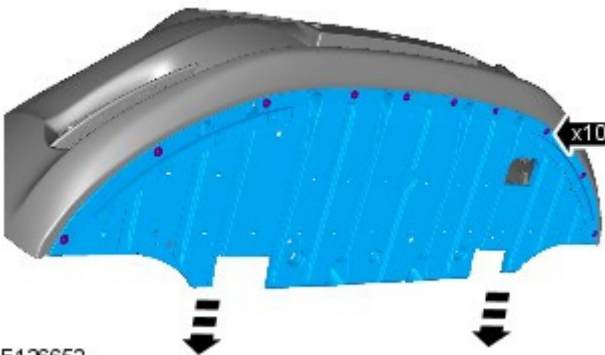
9. *Torque:* 1.9 Nm



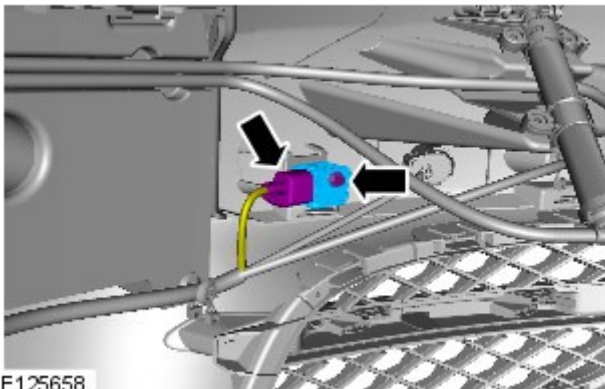
E125656



E125657



E126652



E125658


10.

11.  CAUTION: Make sure that the clips are correctly located.

 NOTE: Do not disassemble further if the component is removed for access only.

Torque: 7 Nm

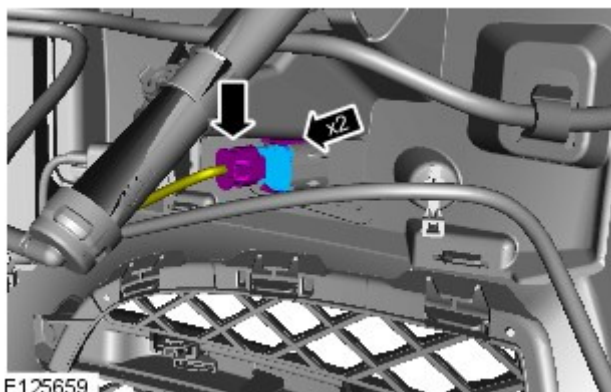
12. NOTES:

 The procedure must be carried out on both sides.

 RH illustration shown, LH is similar.

Torque: 3.2 Nm

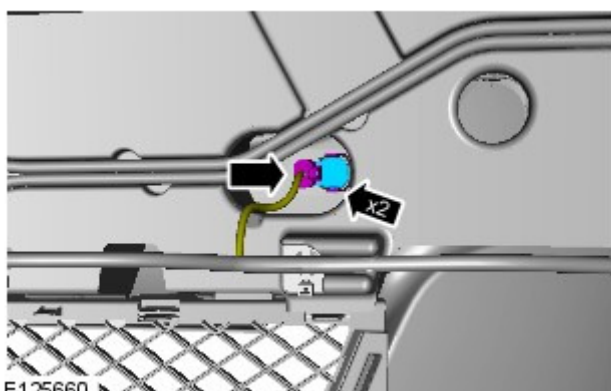
13. NOTES:



E125659

 RH illustration shown, LH is similar.


 The procedure must be carried out on both sides.

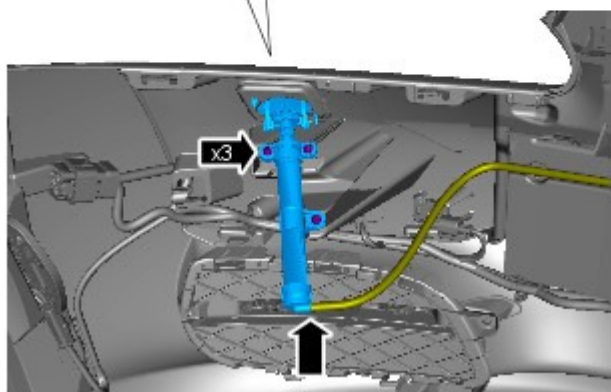
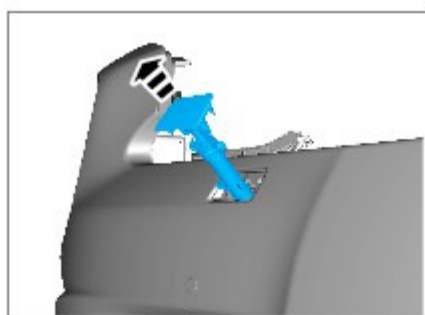


E125660

14. NOTES:

 RH illustration shown, LH is similar.


 The procedure must be carried out on both sides.



E125784

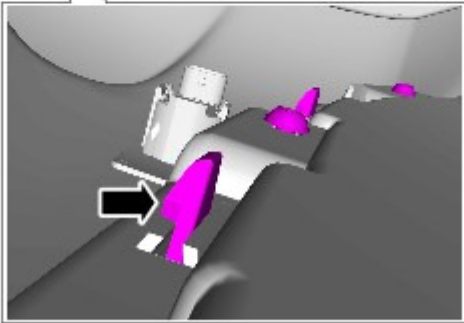
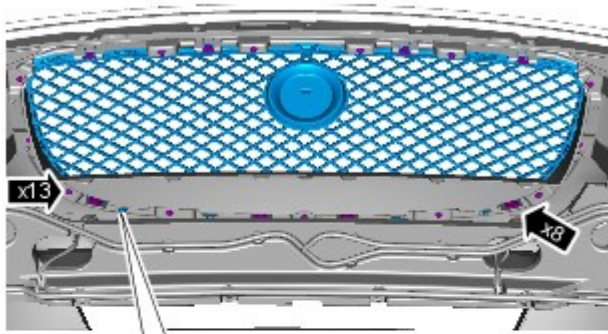
15. NOTES:

 LH illustration shown, RH is similar.

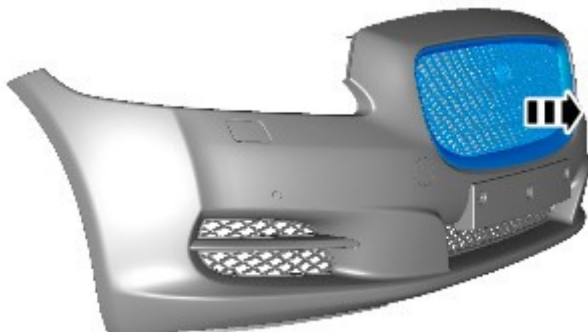
 The procedure must be carried out on both sides.

Torque: 1.5 Nm

16. CAUTIONS:



E126651



E126650

 Protect the surrounding paintwork to avoid damage.


 Take extra care not to damage the clips.

Torque: 1.5 Nm

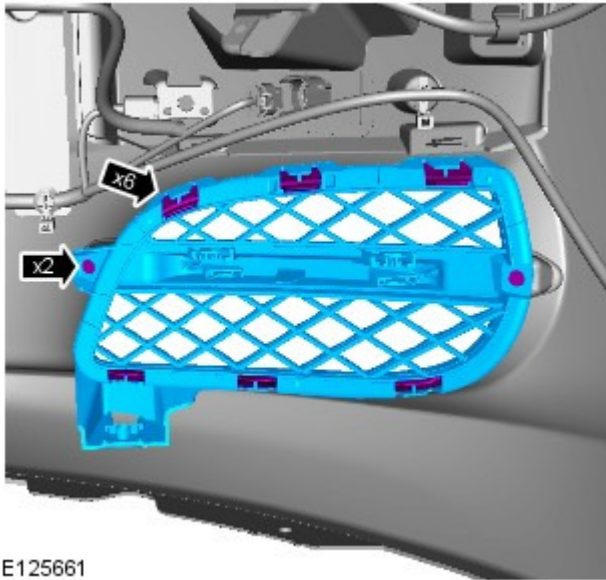
17.

18. NOTES:

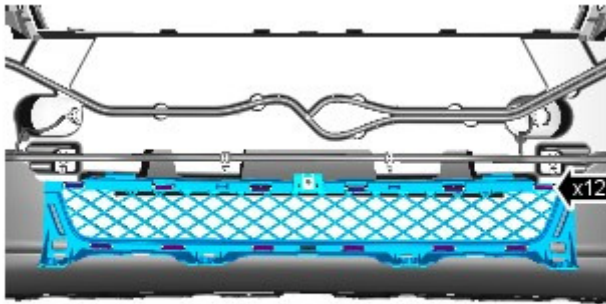
 RH illustration shown, LH is similar.

 The procedure must be carried out on both sides.

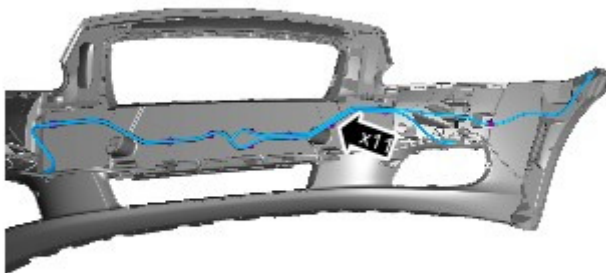
Torque: 1.5 Nm




E125661



E125662




E125664

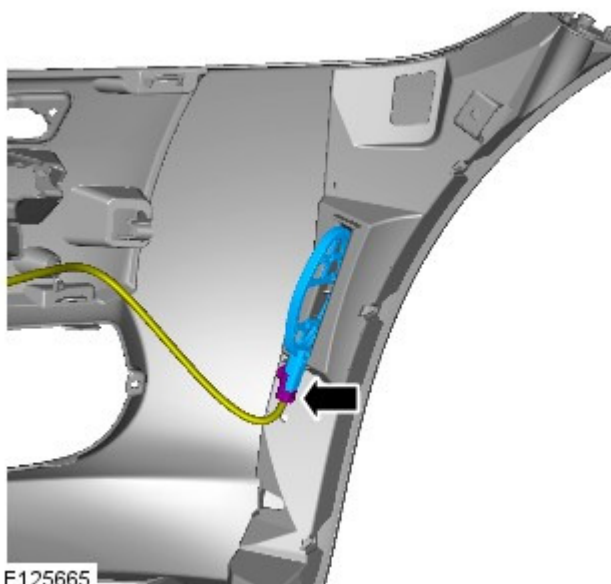
19.  CAUTION: Take extra care not to damage the clips.


20.  NOTE: Take note of the routing.

21. NOTES:

 RH illustration shown, LH is similar.

 The procedure must be carried out on both sides.




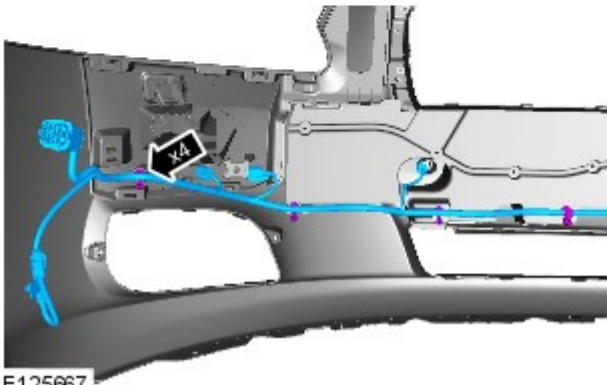
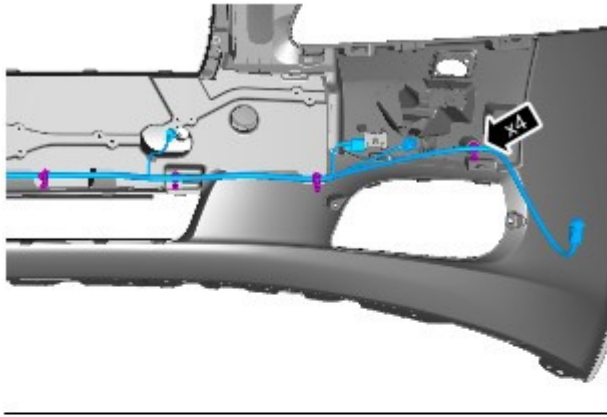
22.  CAUTION: Make sure the locating dowels are installed correctly.

NOTES:

 RH illustration shown, LH is similar.

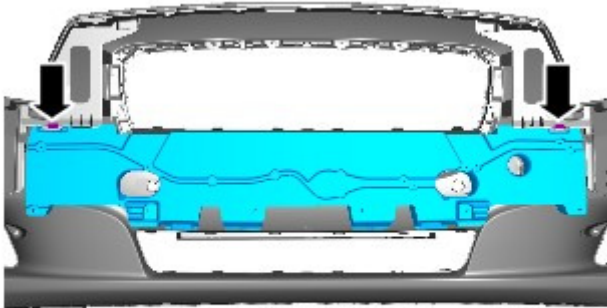
 The procedure must be carried out on both sides.

23.  NOTE: Make sure the wiring harness is routed correctly.



E125667

24.



E125668

Installation

- 1. To install, reverse the removal procedure.