

Exterior Lighting - Headlamp Assembly

Removal and Installation

Removal

NOTES:




Removal steps in this procedure may contain installation details.



The ignition must be switched off.



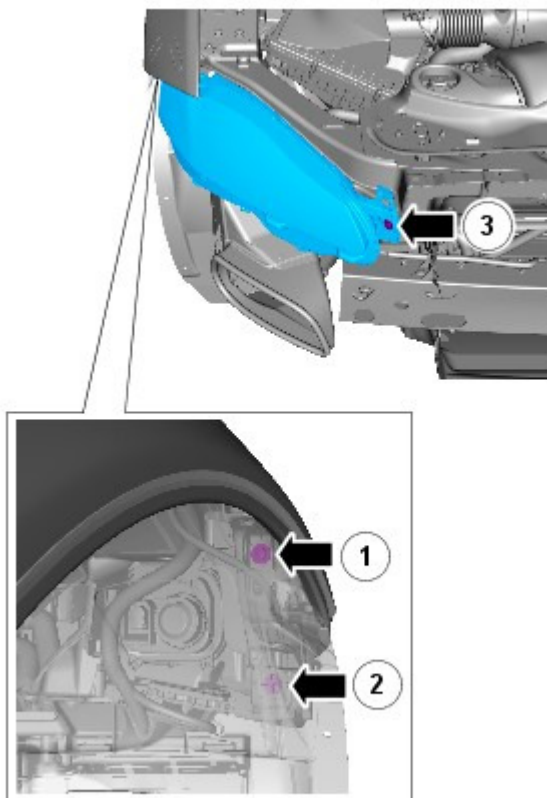
RH illustration shown, LH is similar.

1.  **WARNING:** Make sure to support the vehicle with axle stands.

Raise and support the vehicle.

2. Refer to: [Front Bumper Cover](#) (501-19 Bumpers, Removal and Installation).

3.

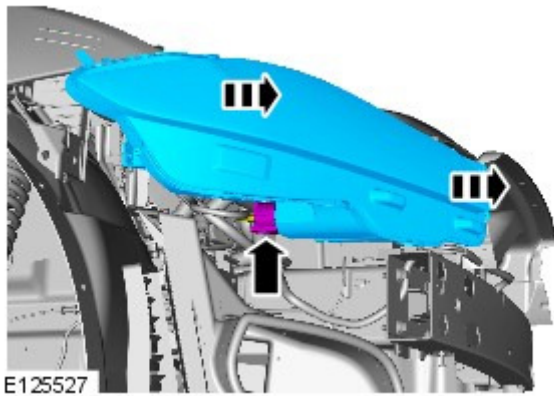


E125526

4. **CAUTIONS:**

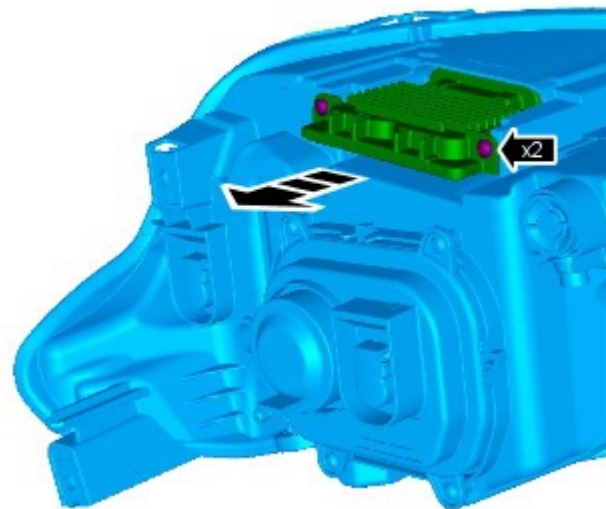


Protect the surrounding paintwork to avoid damage.




E125527

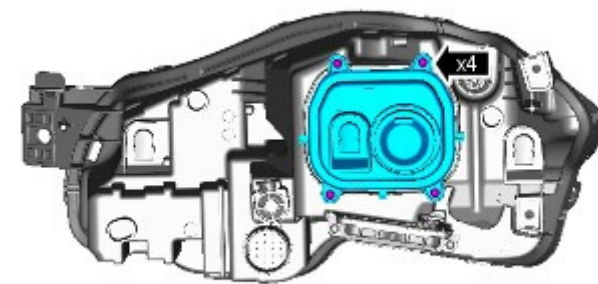
 Protect the surrounding trim to avoid damage.



E125528

5.  NOTE: Do not disassemble further if the component is removed for access only.

Torque: 2.5 Nm



E127410

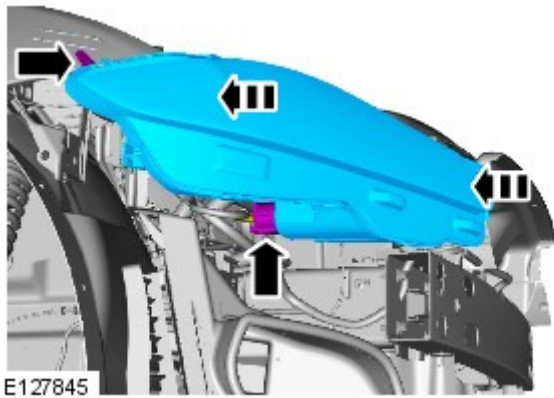
6. Torque: 2.5 Nm

Installation


1. CAUTIONS:

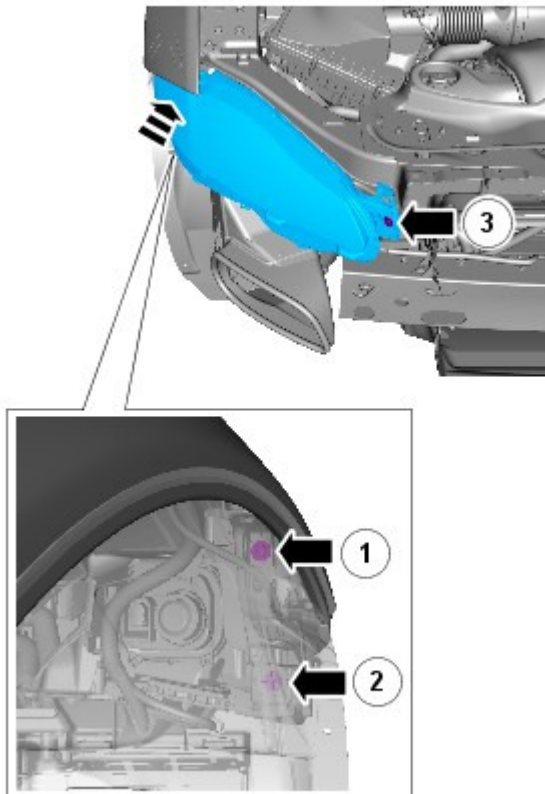
 Protect the surrounding paintwork to avoid damage.

 Protect the surrounding trim to avoid damage.



E127845


 Make sure that the component is correctly located on the locating dowels.



E127844

2. NOTES:

 Make sure the headlamp is pressed into and up to the finishing edge of the front fender.

 The gap between the front lamp and the front fender must not exceed 1mm +/- 0.5

 Tighten the bolts in the indicated sequence.

Torque:

1 6.2 Nm

2 6.2 Nm

3 9 Nm

3. Refer to: [Front Bumper Cover](#) (501-19 Bumpers, Removal and Installation).

4. Lower the vehicle.

5. Refer to: [Headlamp Adjustment](#) (417-01 Exterior Lighting, General Procedures).