

Published: 22-Apr-2012

## Seating - Rear Seat Backrest

Removal and Installation

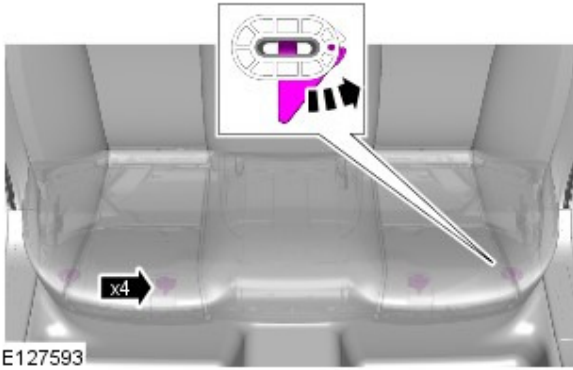
### Removal



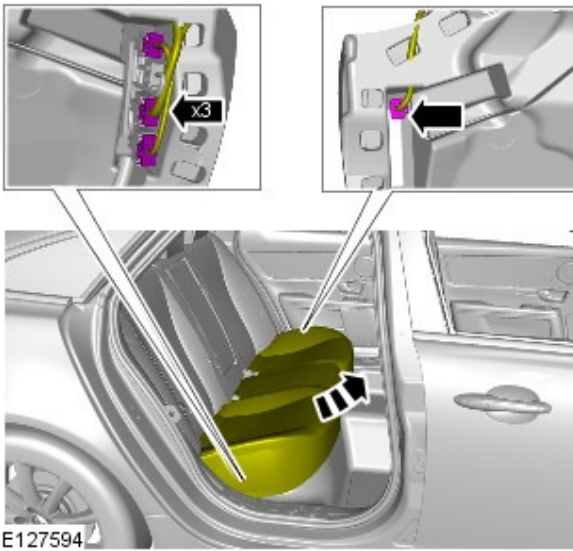
NOTE: Removal steps in this procedure may contain installation details.

All vehicles

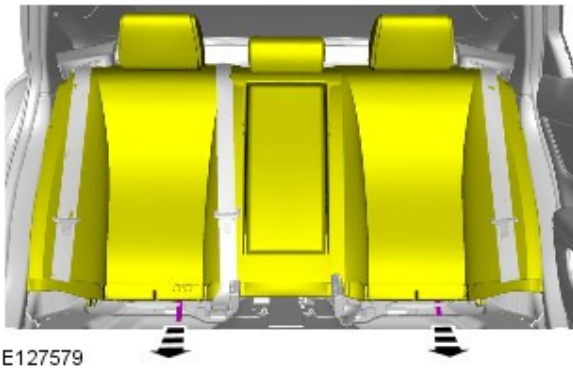
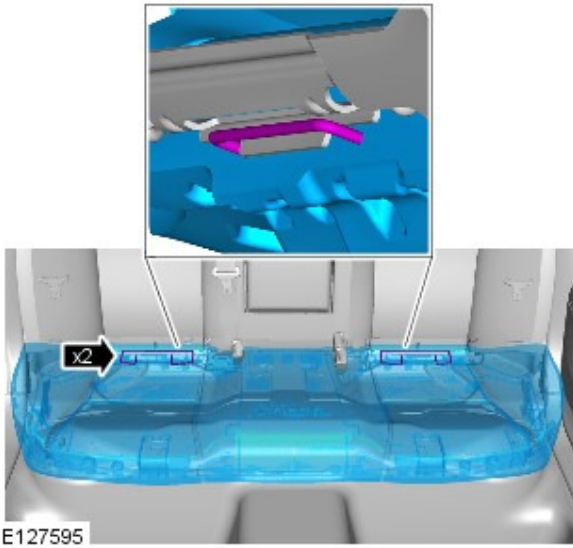
1.



2.

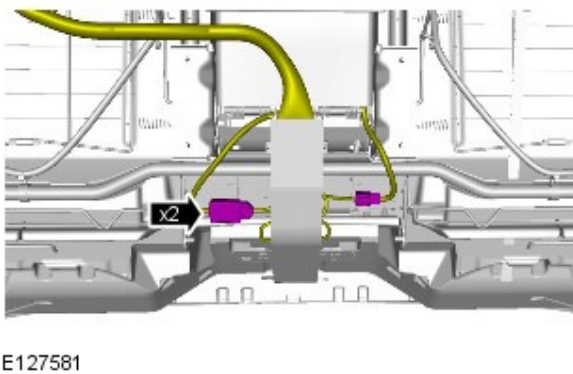


3.



4.

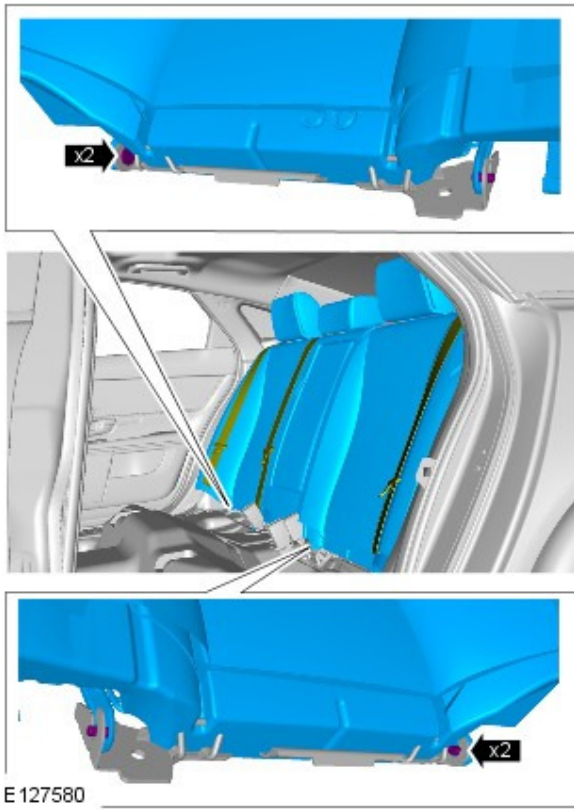
Vehicles with rear passenger entertainment system



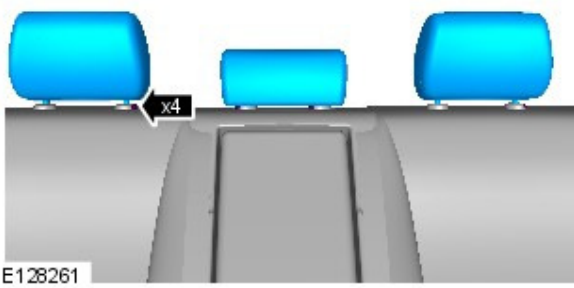
5.

All vehicles

6.  NOTE: Note the position of the wiring harnesses to aid installation.

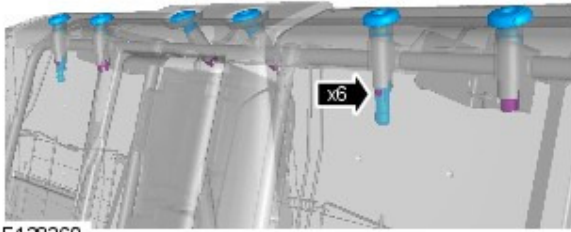


7.

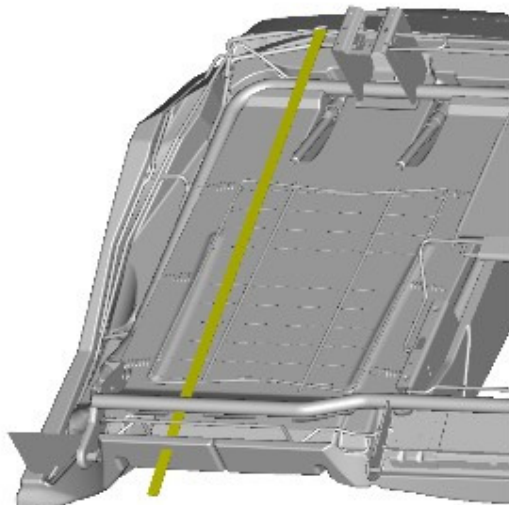


8.


9.



E128260



E141927

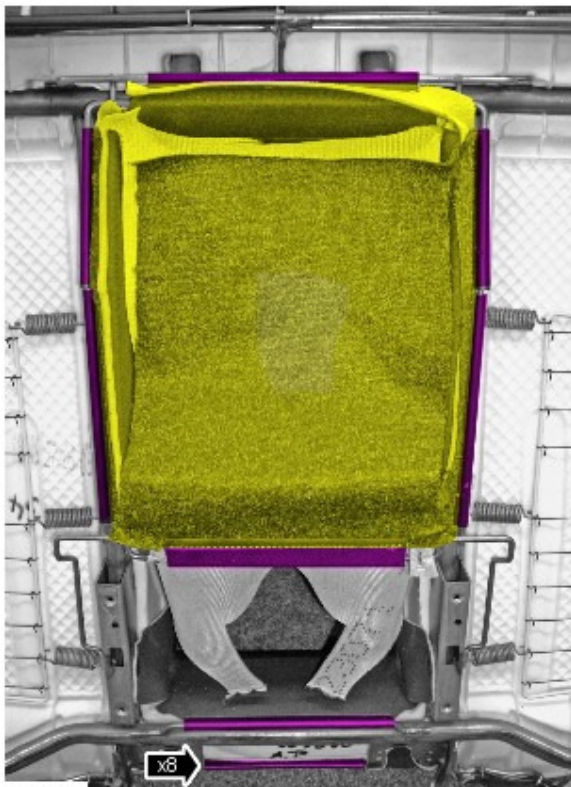
10.  NOTE: Repeat the procedure for the other side.

11.



E141930

12.

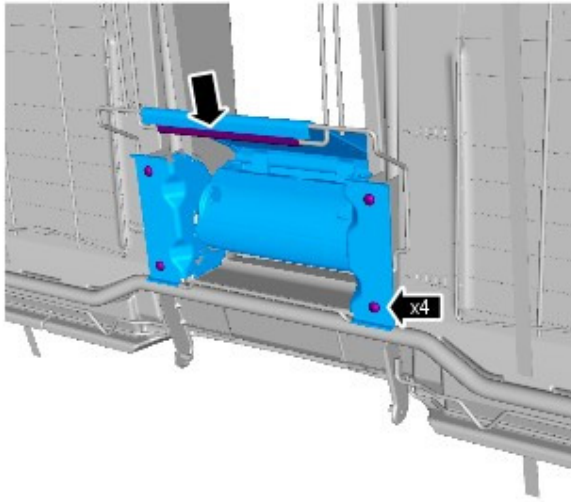


E128265

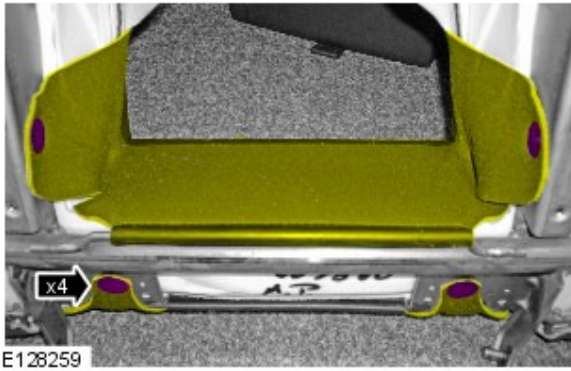
13.



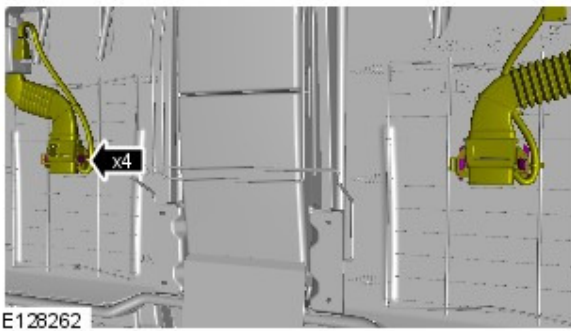
14. Torque: 8 Nm



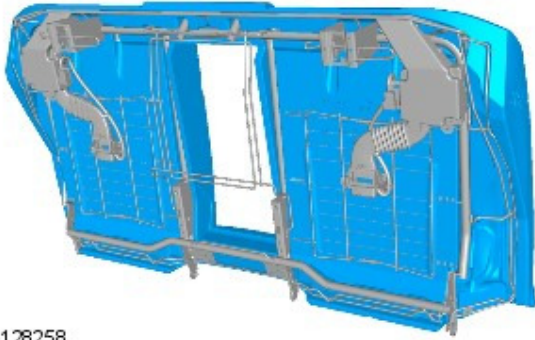
15.



16.

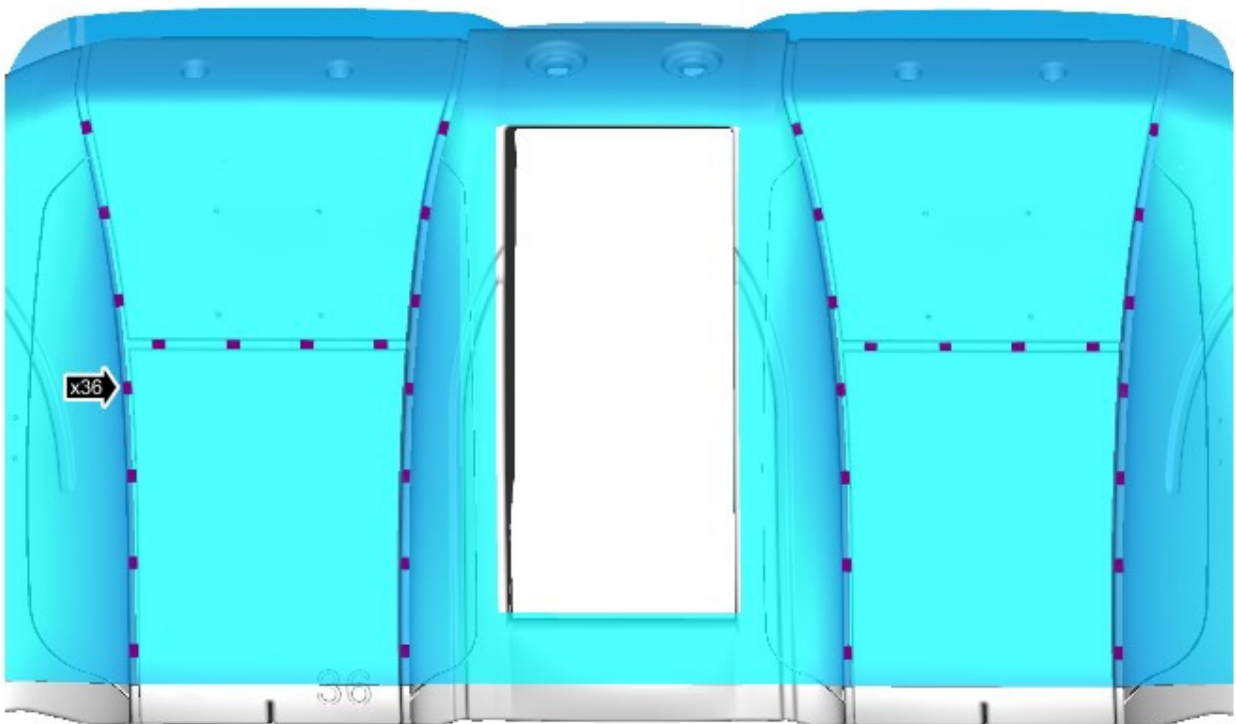


17.



E128258

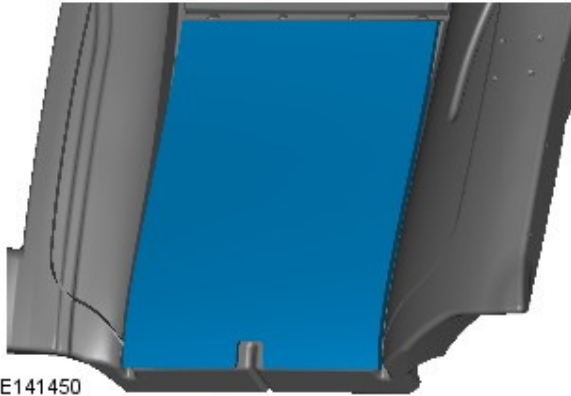
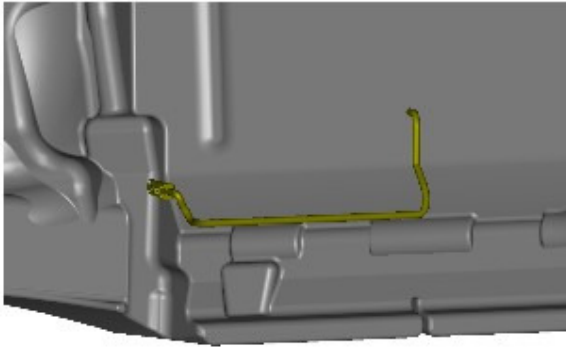
18.



E141822

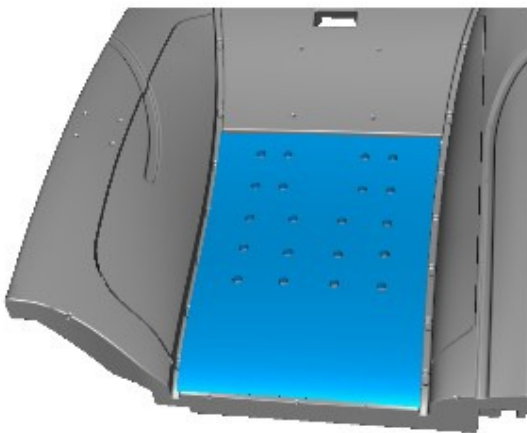
Vehicles with heated rear seat

19.





E141450

All vehicles



E141422

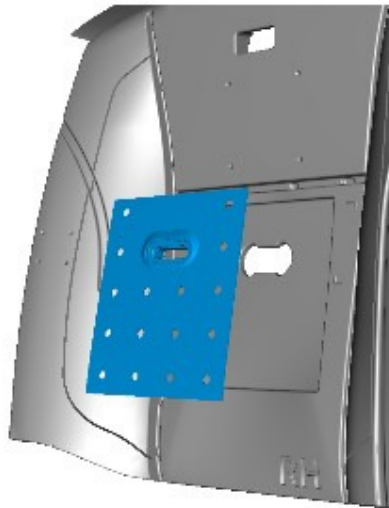
20.  NOTE: Repeat the procedure for the other side.

21.  NOTE: Repeat the procedure for the other side.






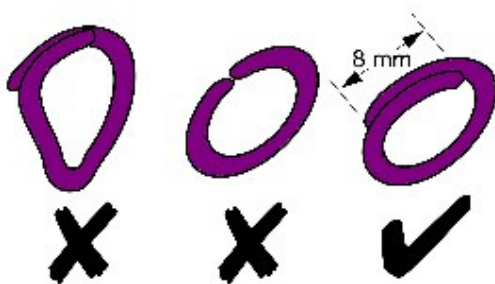
E141421



E141451



22.  NOTE: Repeat the procedure for the other side.

### Installation



V4001063

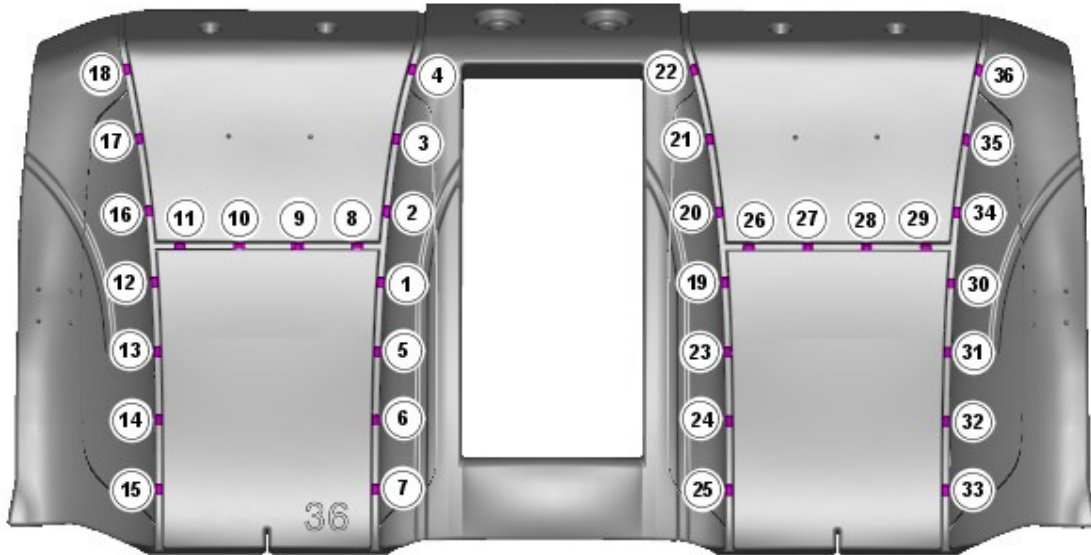
1. NOTES:

-  Make sure that new hog rings are installed.
-  Use hog ring pliers to close the hog rings. Do not use any other tool. The hog rings must be closed to overlap as illustrated.

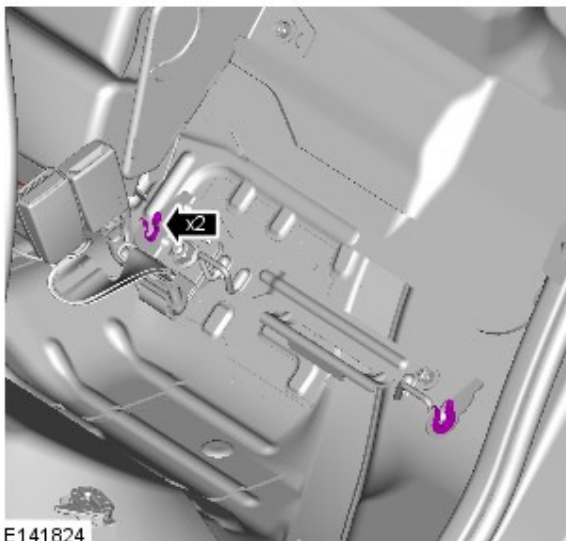
2. NOTES:

-  Make sure that the hogrings are installed in the sequence shown.


 Some variation in the illustrations may occur, but the essential information is always correct.



E 141455



E141824

3.  NOTE: Make sure that all the clips are correctly installed.

4. To install, reverse the removal procedure.