

2011.75 XJ RANGE (X351), 501-10

SEATING

REAR SEAT BACKREST [C272975]

REMOVAL AND INSTALLATION

REMOVAL

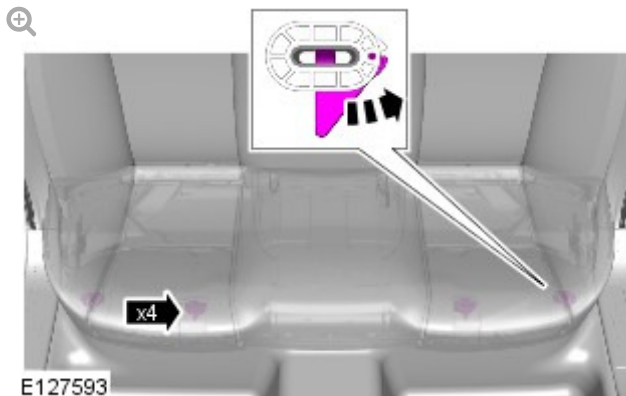
NOTE:

Removal steps in this procedure may contain installation details.

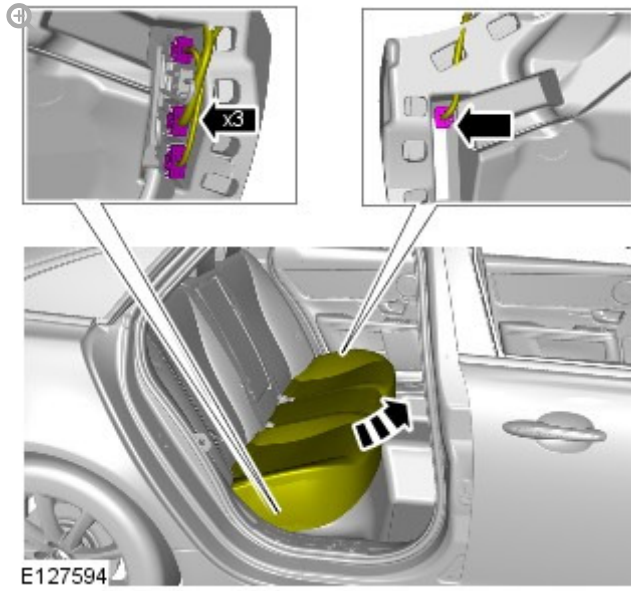


All vehicles

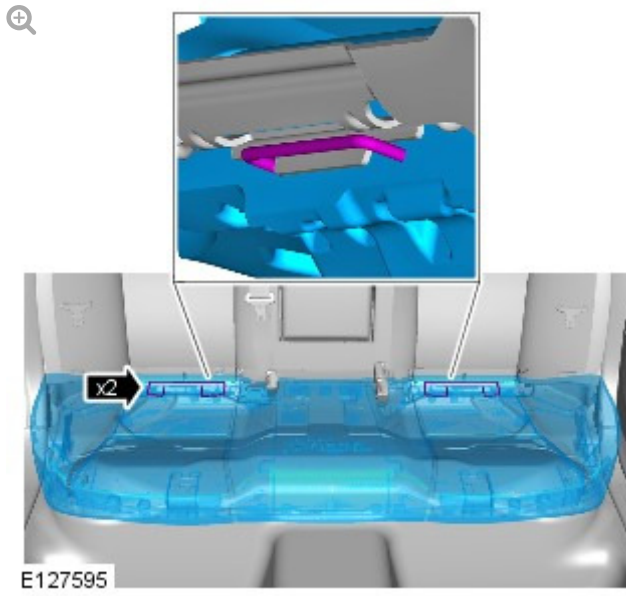
1.



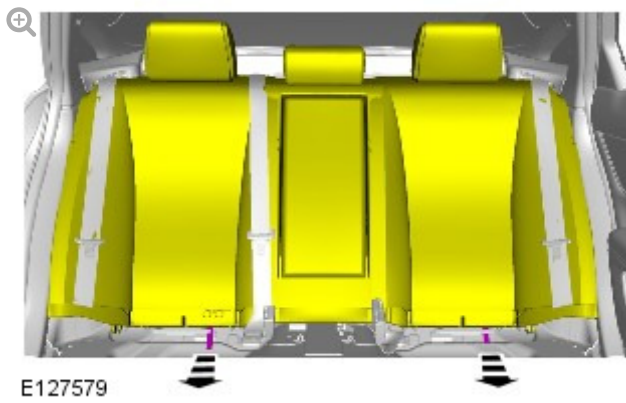
2.



3.



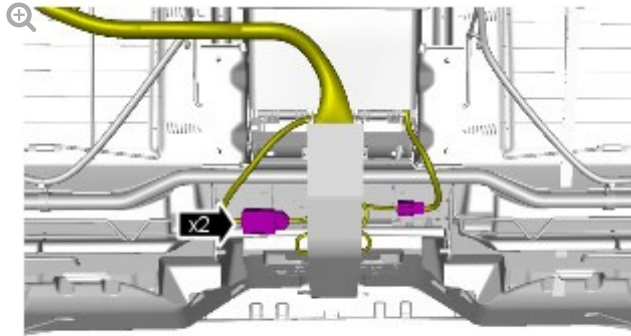
4.





Vehicles with rear passenger entertainment system

5.



E127581



All vehicles

6.

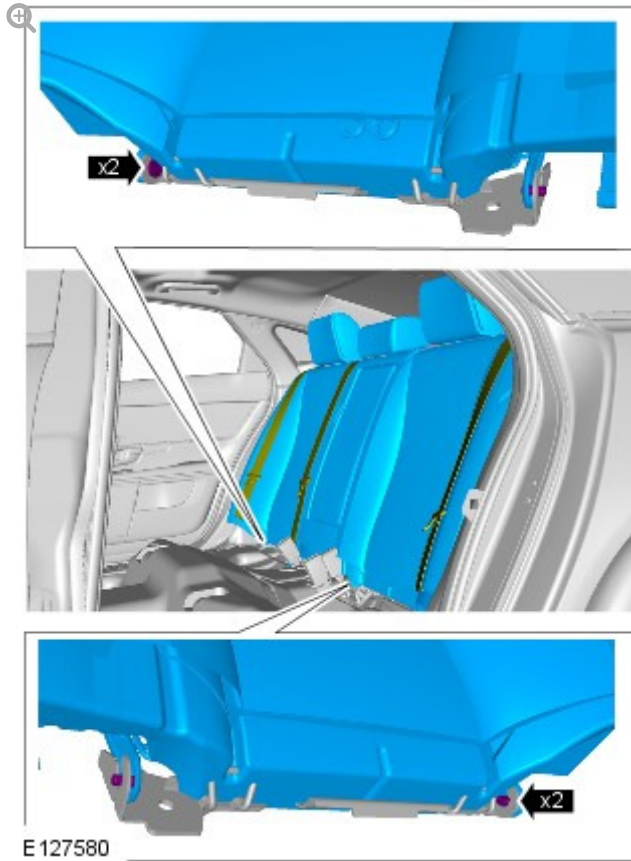
NOTE:

Note the position of the wiring harnesses to aid installation.

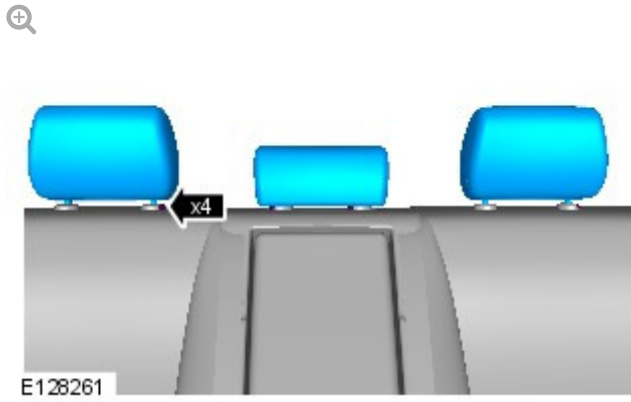


E128812

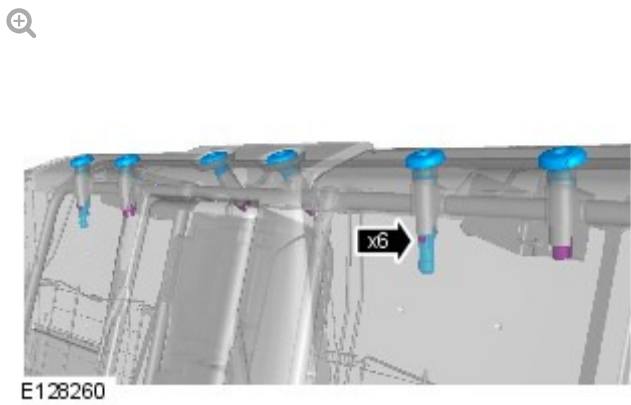
7.



8.



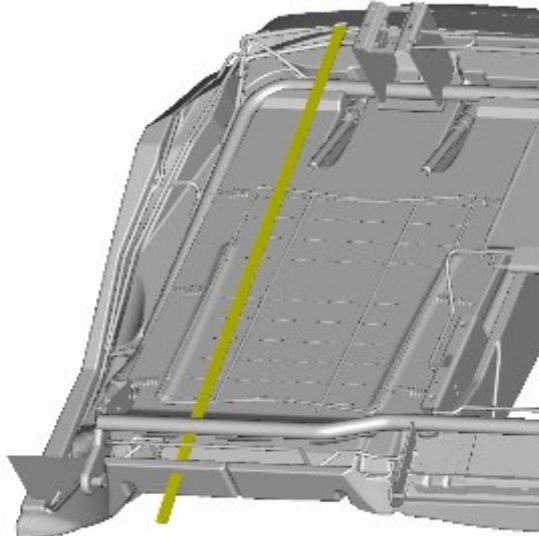
9.



10.

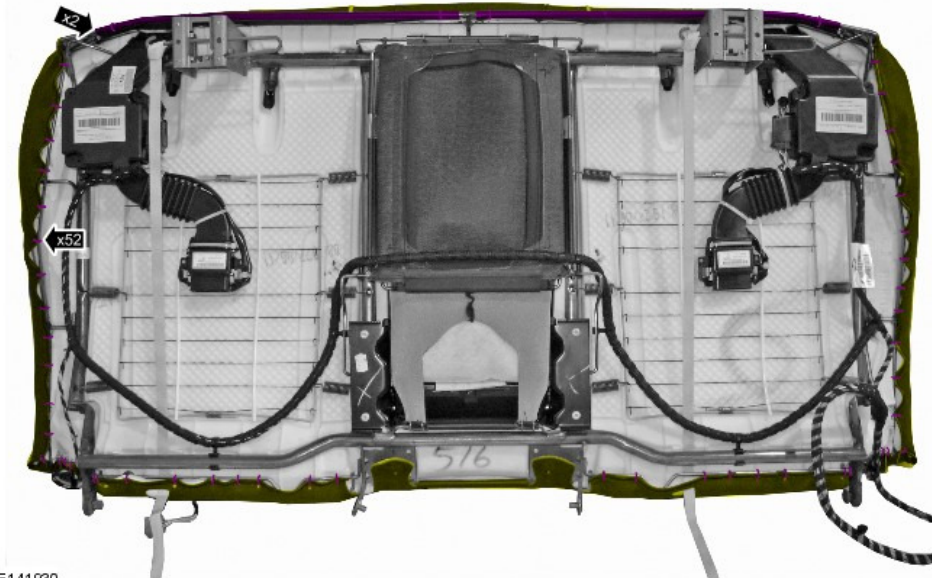
NOTE:

Repeat the procedure for the other side.



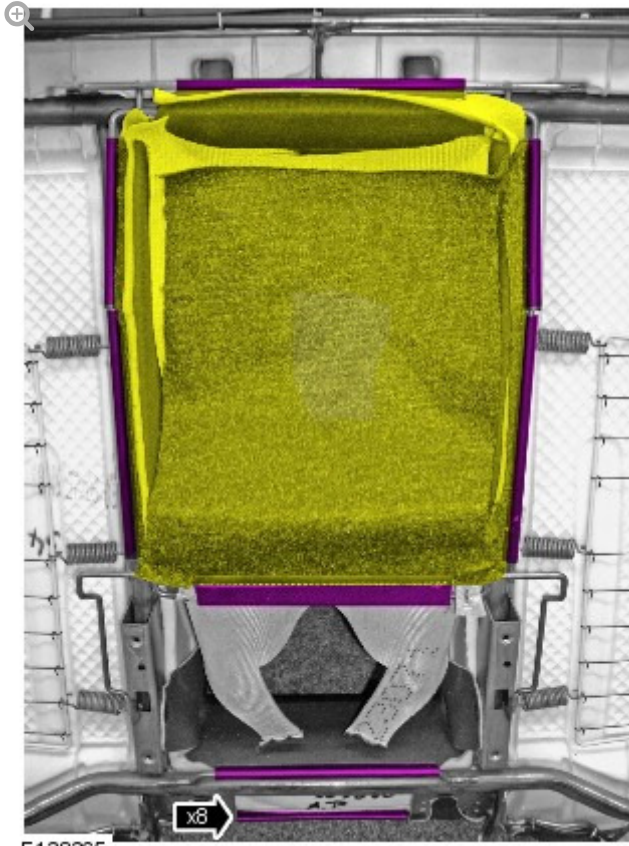
E141927

11.



E141930

12.



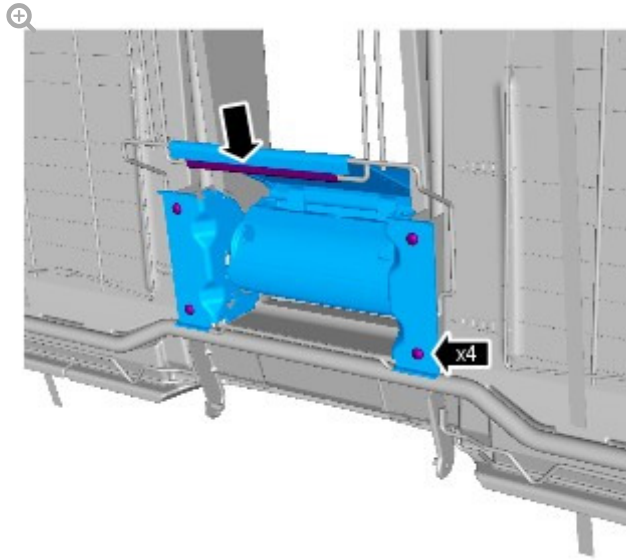
E128265

13.



E128256

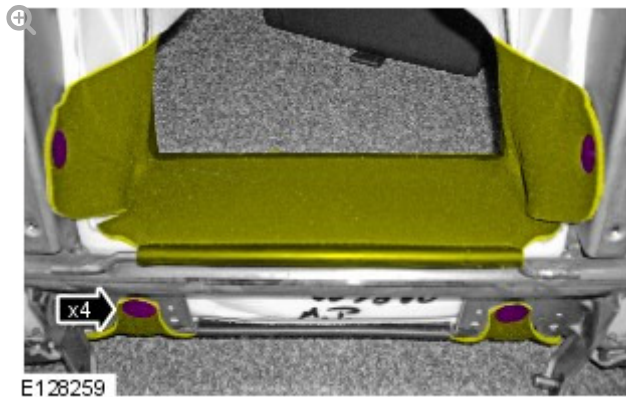
14.



E128257

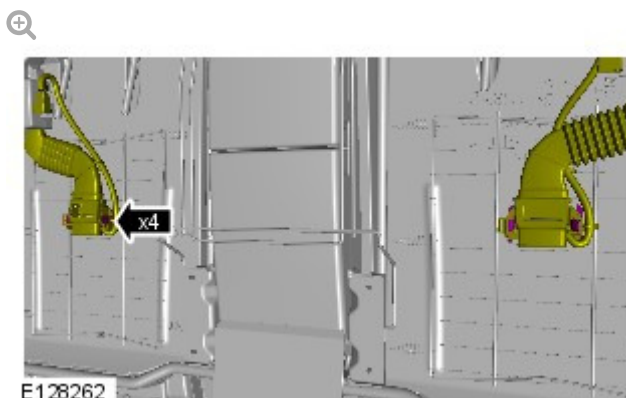
Torque: 8 Nm

15.



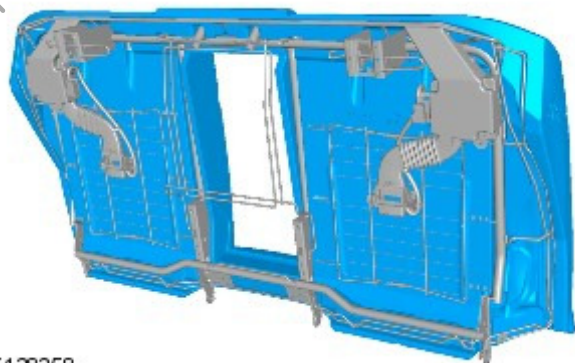
E128259

16.



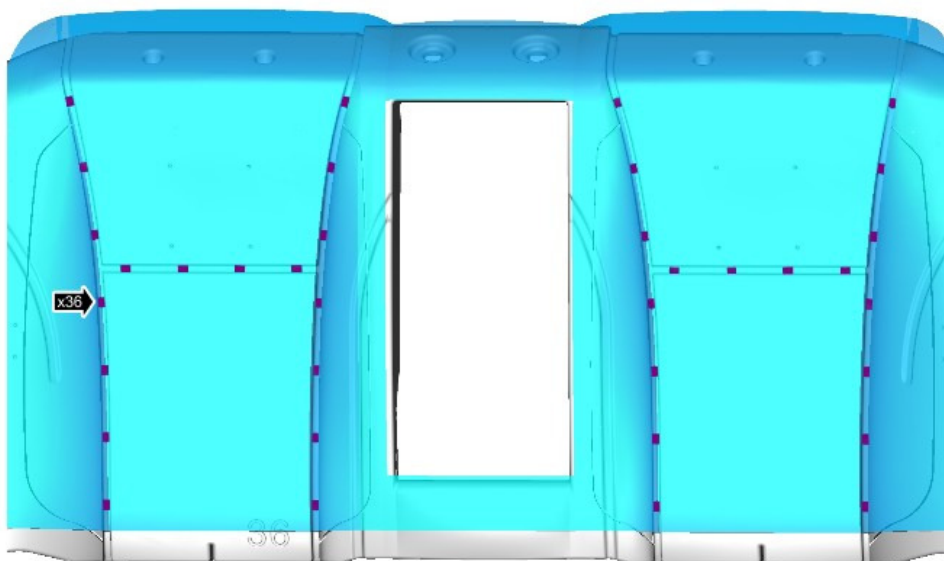
E128262

17.



E128258

18.

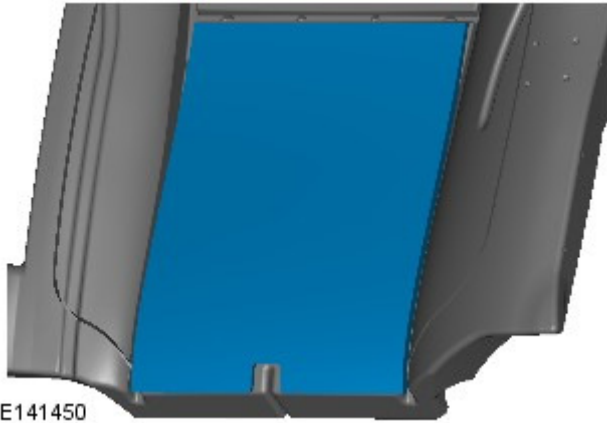
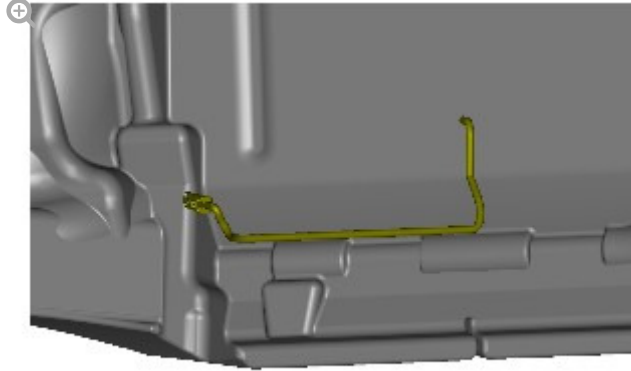


E141822



Vehicles with heated rear seat

19.



E141450

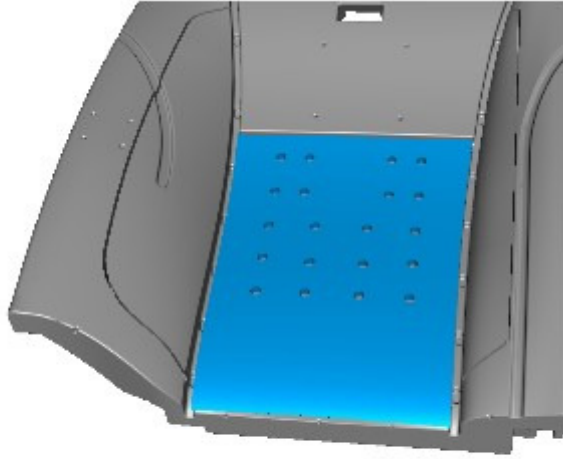


All vehicles

20.

NOTE:

Repeat the procedure for the other side.



E141422

21.

NOTE:

Repeat the procedure for the other side.

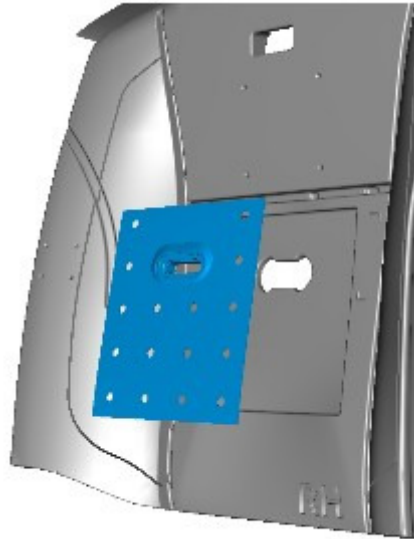


E141421

22.

NOTE:

Repeat the procedure for the other side.



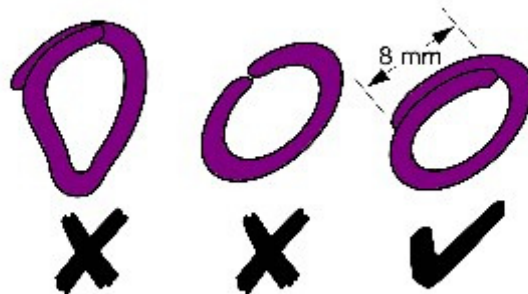
E141451

INSTALLATION

1.

NOTES:

- Make sure that new hog rings are installed.
- Use hog ring pliers to close the hog rings. Do not use any other tool. The hog rings must be closed to overlap as illustrated.

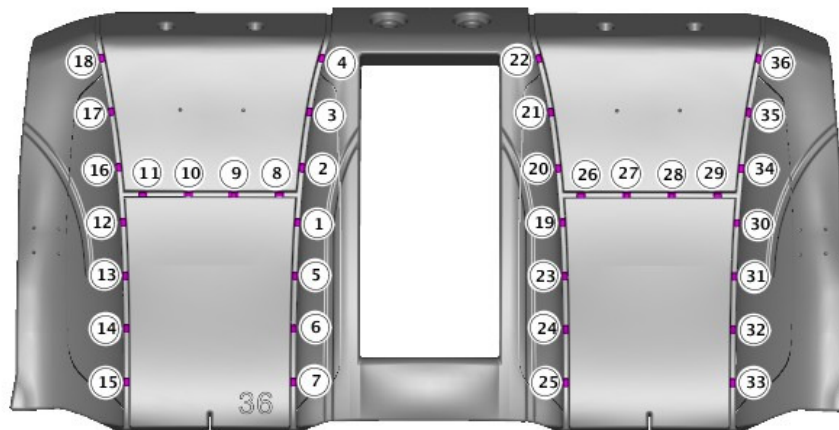


V4001063

2.

NOTES:

- Make sure that the hogrings are installed in the sequence shown.
- Some variation in the illustrations may occur, but the essential information is always correct.

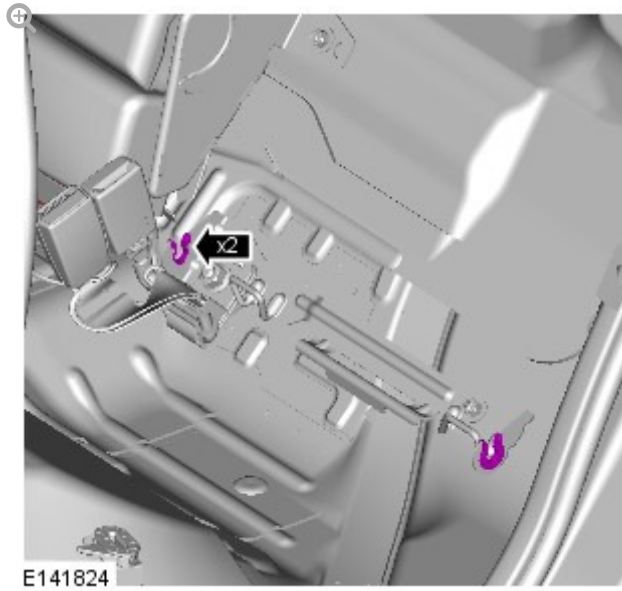


E141455

3.

NOTE:

Make sure that all the clips are correctly installed.



4. To install, reverse the removal procedure.