

2010.0 X351, 501-12

INSTRUMENT PANEL AND CONSOLE

GLOVE COMPARTMENT (G1267528)

REMOVAL AND INSTALLATION

76.52.03

GLOVE
BOX -
RENEW

ALL
DERIVATIVES

0.7

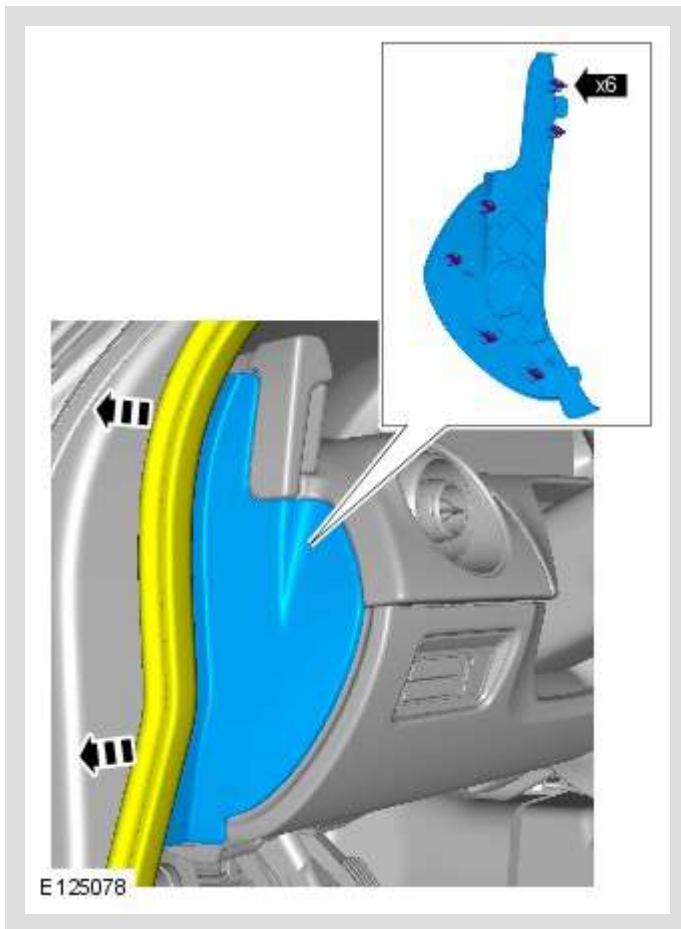
USED
WITHINS

REMOVAL

NOTE:

Removal steps in this procedure may contain installation details.

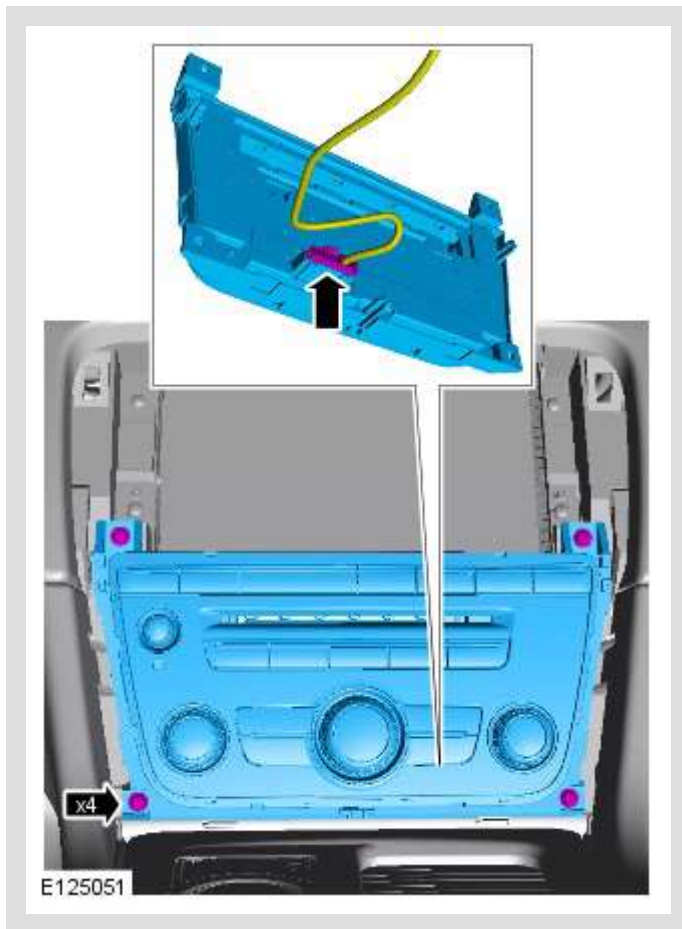
1.

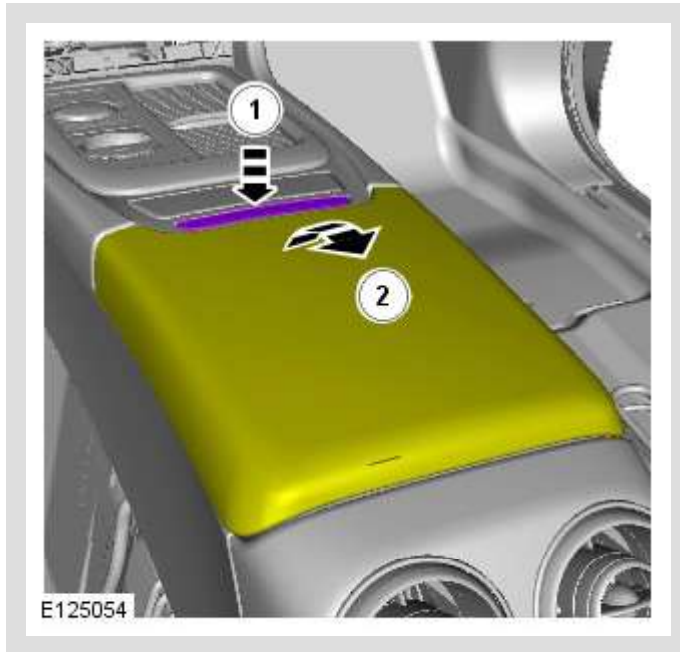


⚠ CAUTION:

Take extra care not to damage the edges of the component.



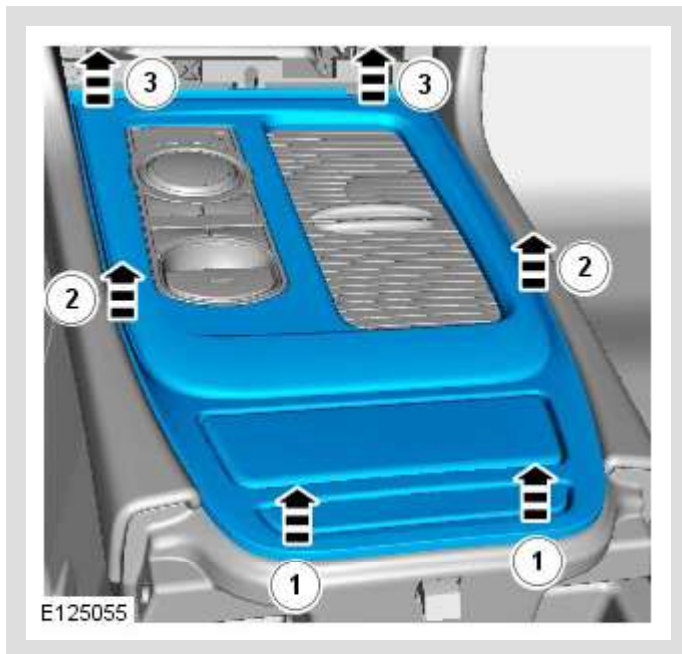


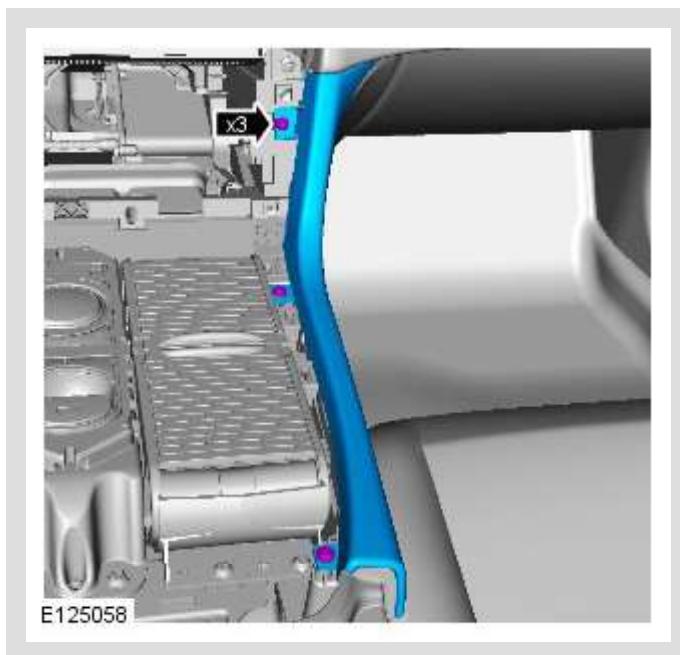


5.

⚠ CAUTION:

Take extra care not to damage the edges of the component.





Torque: 2 Nm

7.

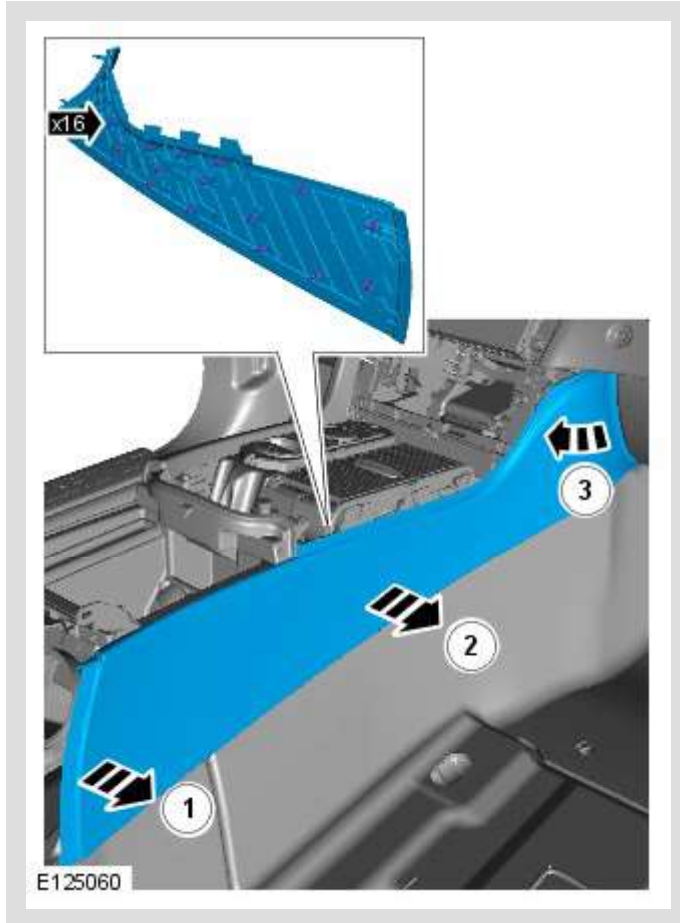


8.



NOTE:

Some variation in the illustrations may occur, but the essential information is always correct.



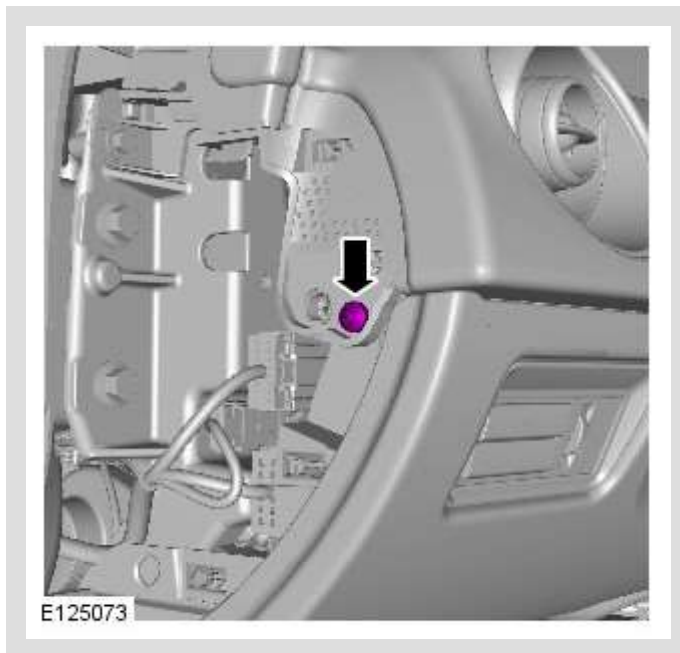
9.



10.

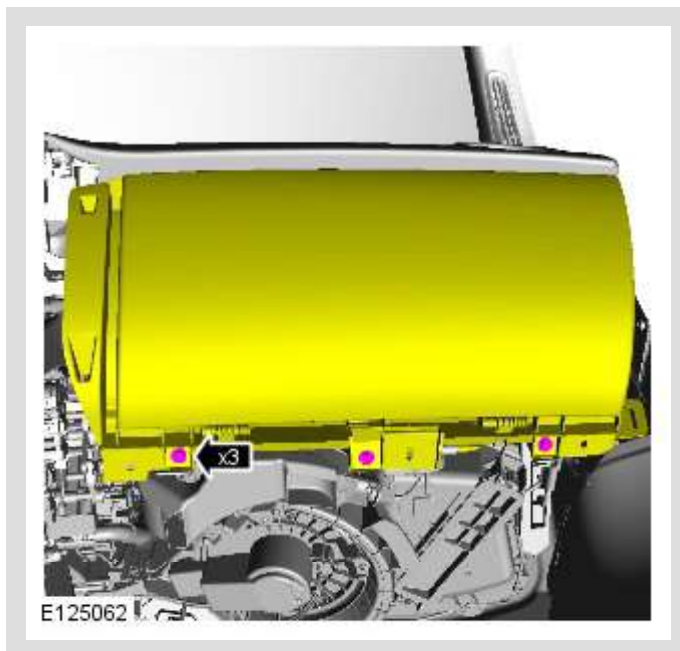
⚠ CAUTION:

LH illustration shown, RH is similar.



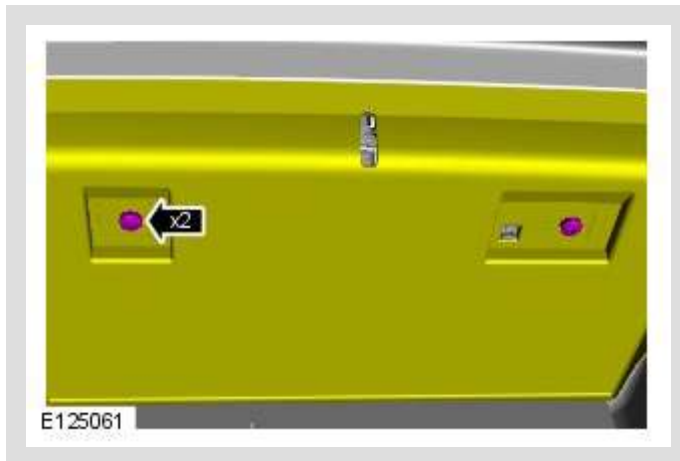
Torque: 2.5 Nm

11.



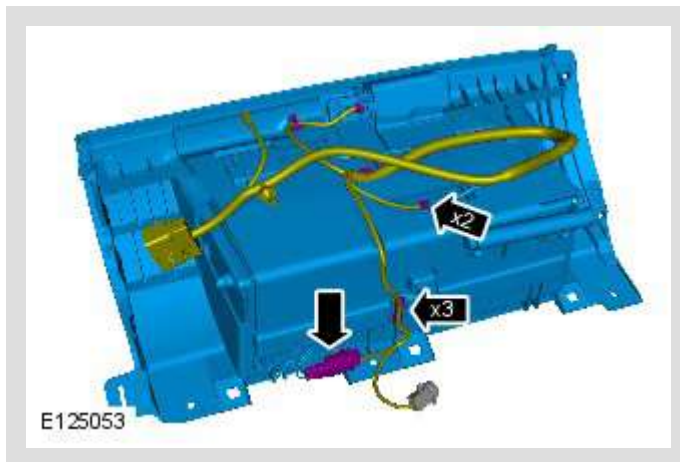
Torque: 9 Nm

12.



Torque: 2.5 Nm

13.

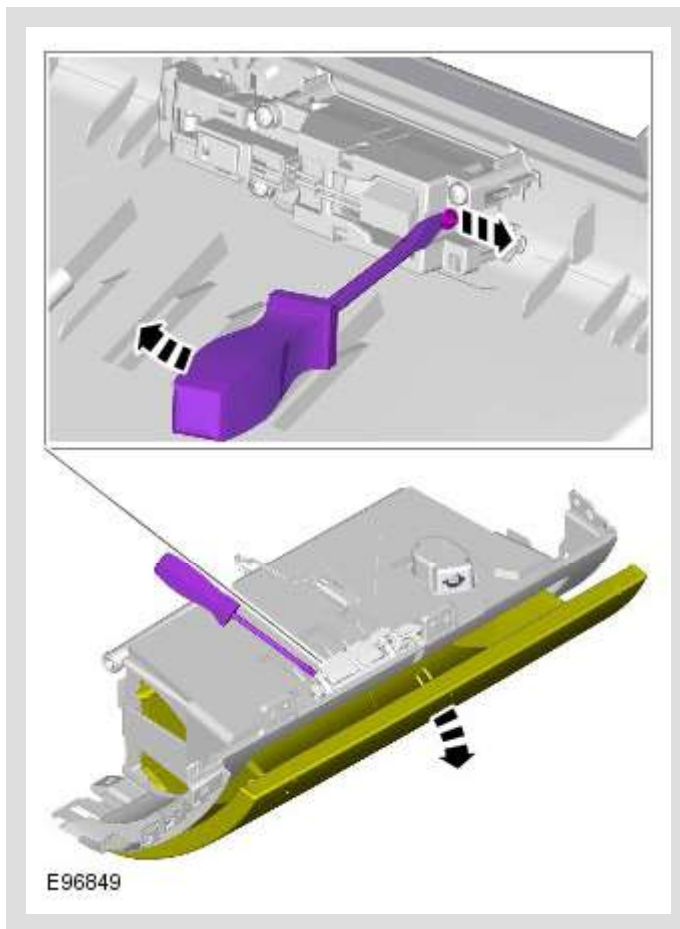


14.



NOTES:

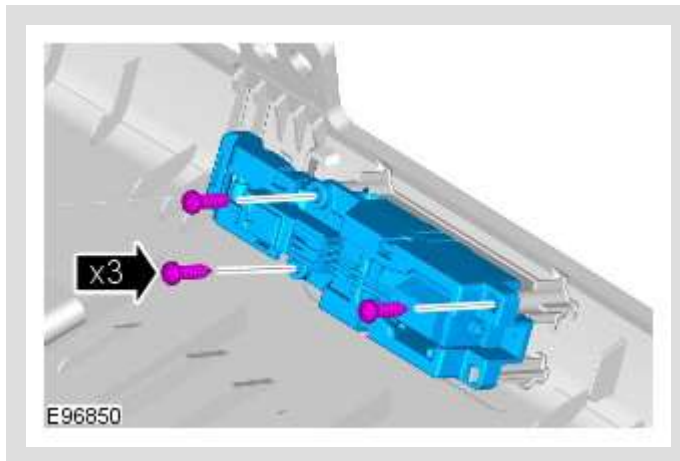
- Some variation in the illustrations may occur, but the essential information is always correct.
- Do not disassemble further if the component is removed for access only.



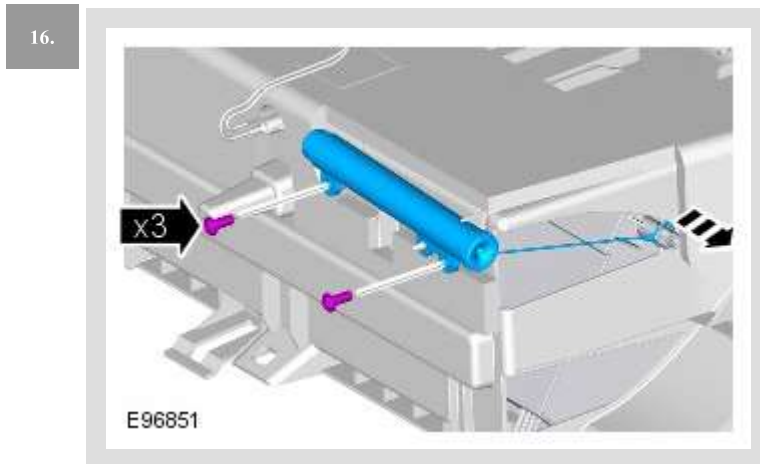
15.

△ NOTE:

Some variation in the illustrations may occur, but the essential information is always correct.



Torque: 2 Nm



Torque: 2 Nm

INSTALLATION

1. To install, reverse the removal procedure.

