

2010.0 X351, 501-05

INTERIOR TRIM AND ORNAMENTATION

C-PILLAR LOWER TRIM PANEL (G1267468)

REMOVAL AND INSTALLATION

REMOVAL

NOTE:

Removal steps in this procedure may contain installation details.

All vehicles

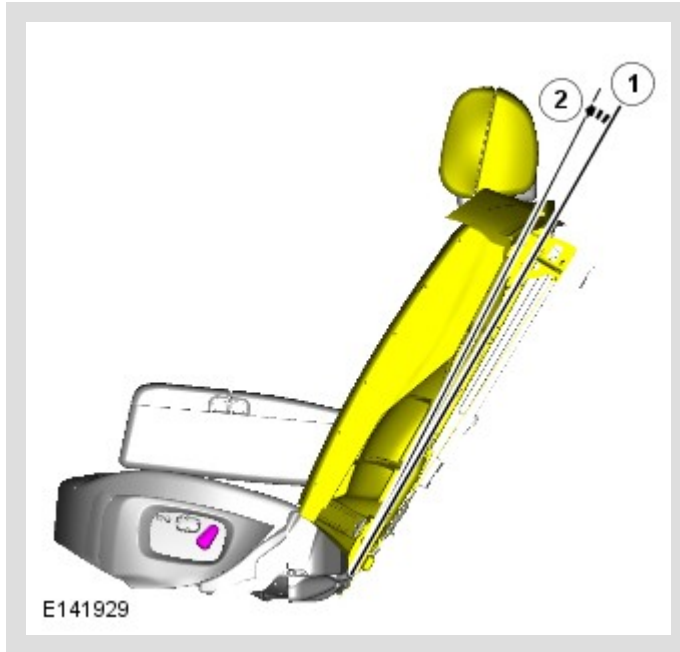
1. Refer to: [C-Pillar Trim Panel](#) (501-05 Interior Trim and Ornamentation, Removal and Installation).

Vehicles with split rear seat backrest

NOTE:

If equipped.

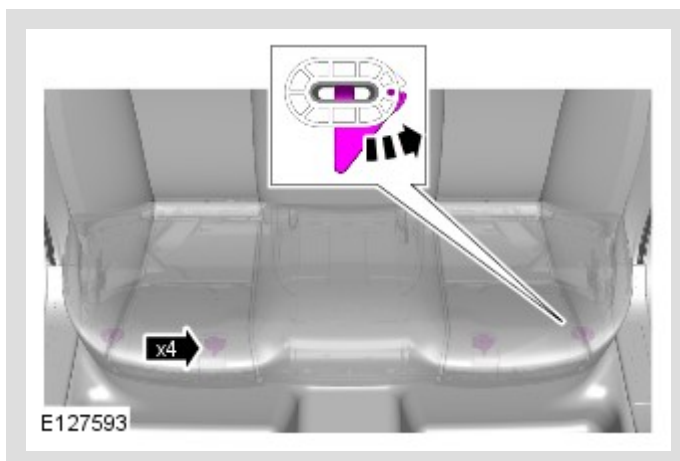
1.



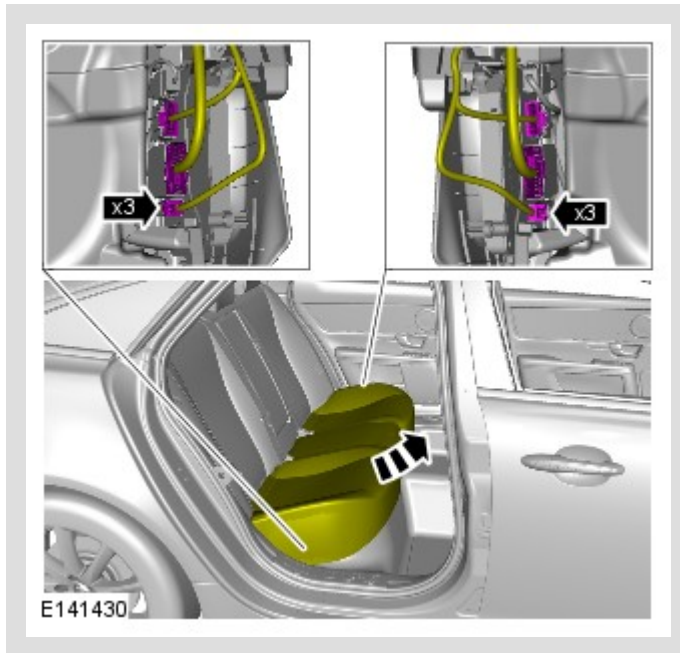
Fully recline the rear seat backrest, then adjust it slightly back up to aid access.

All vehicles

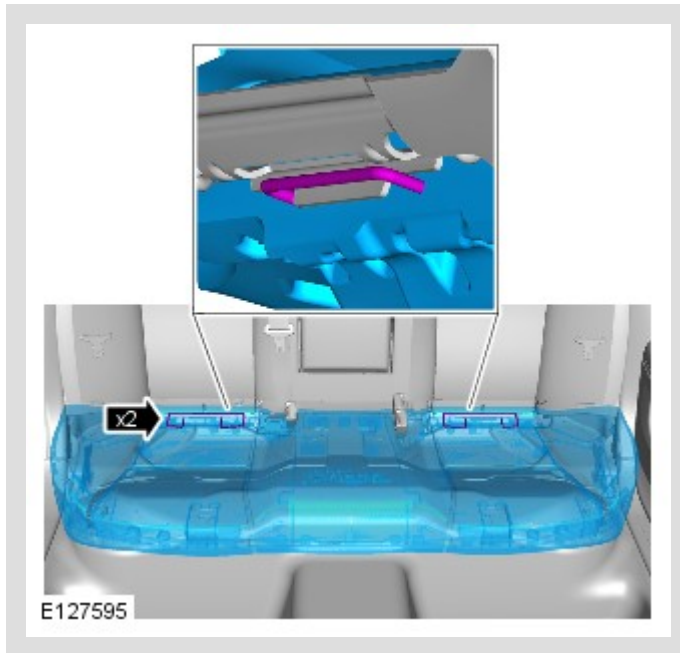
1.



2.



3.

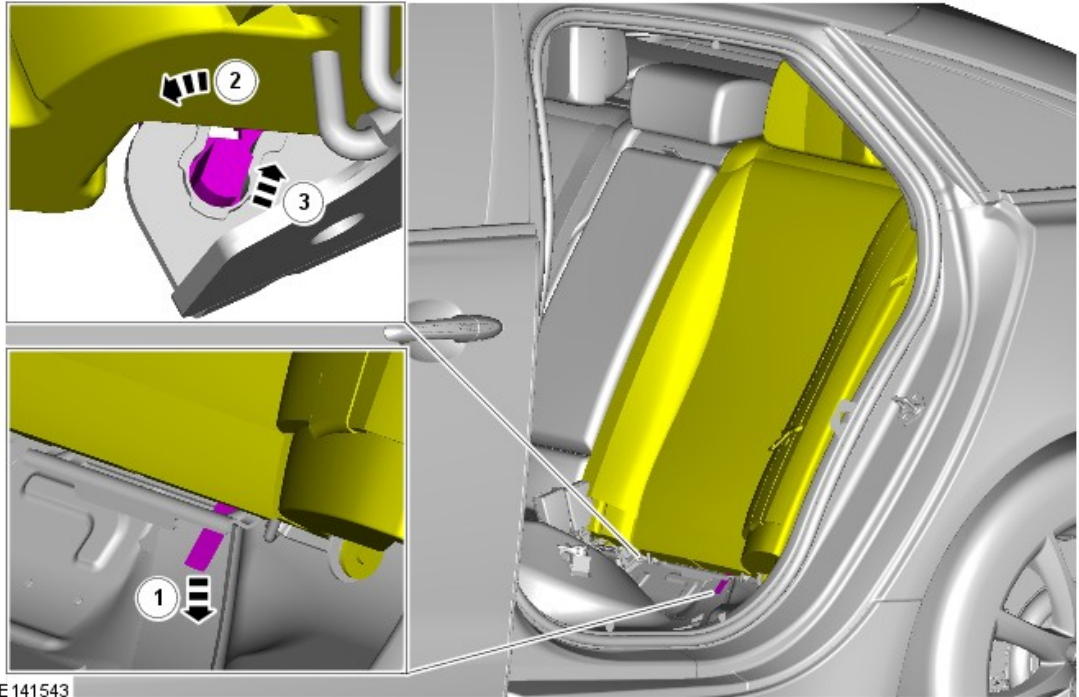


Vehicles with split rear seat backrest

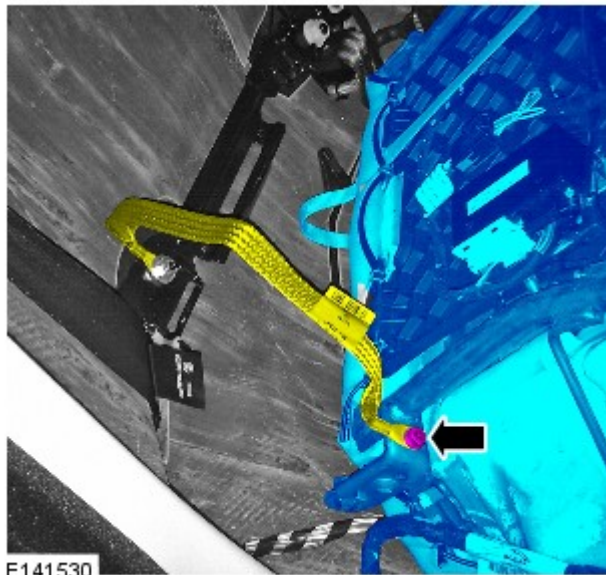
△ NOTE:

If equipped.

1.



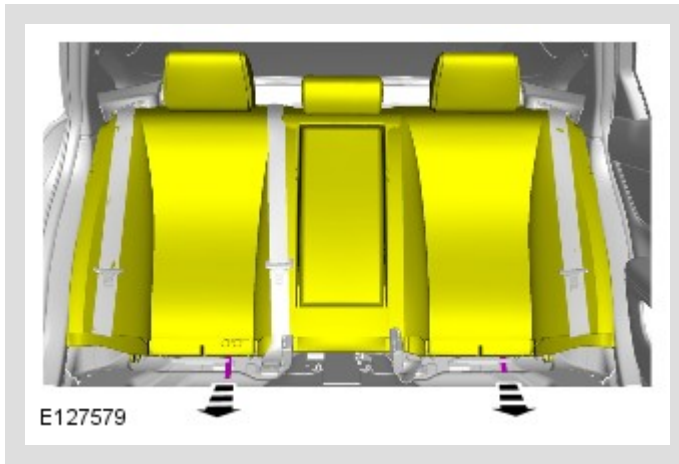
2.



Torque: 10 Nm

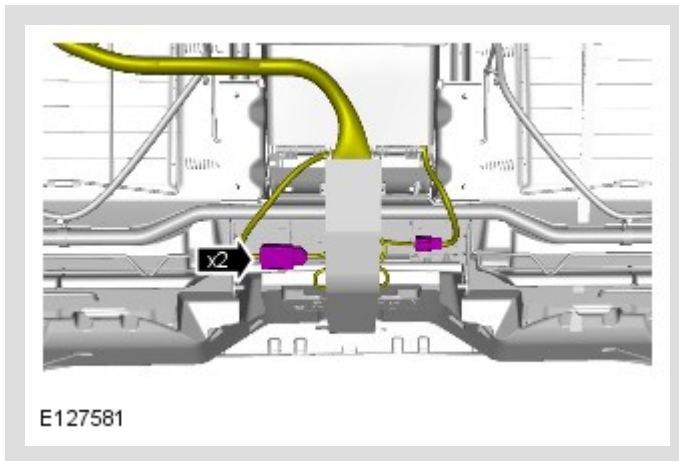
All vehicles

1.



Vehicles with rear passenger entertainment system

1.



All vehicles

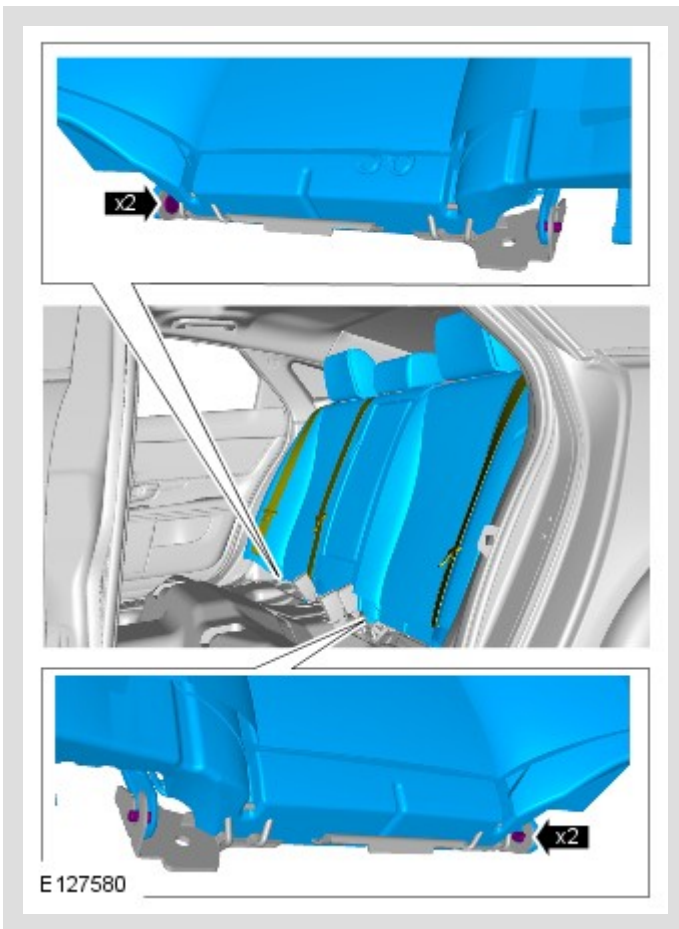
1.

△ NOTE:


Note the position of the wiring harnesses to aid installation.



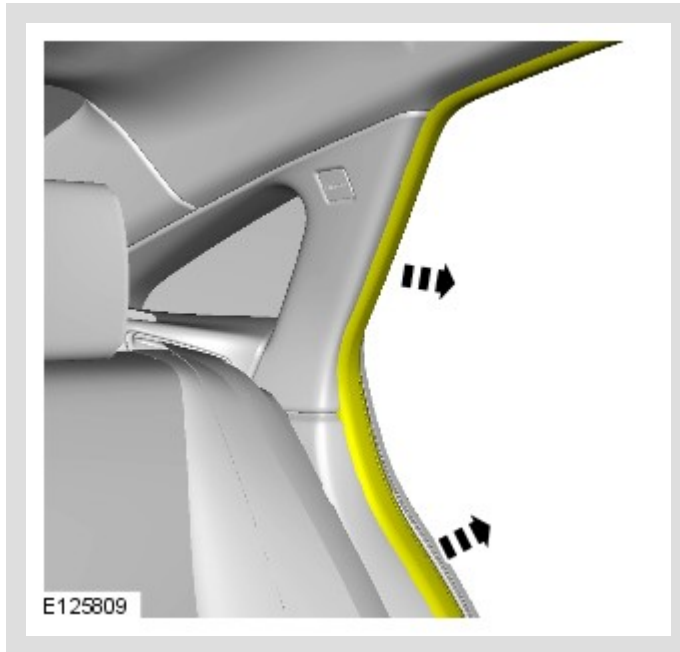
2.



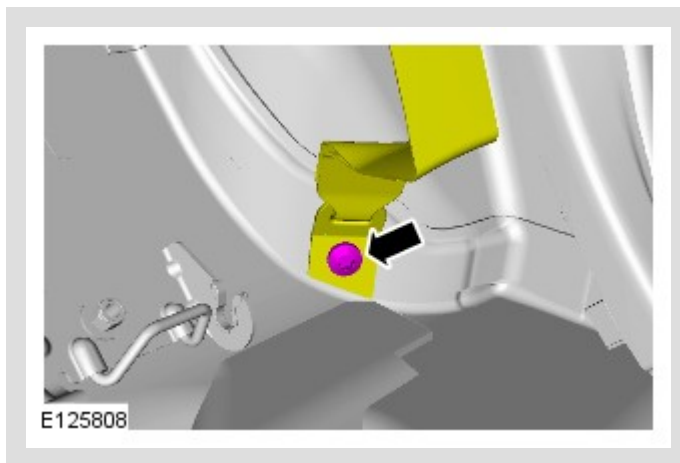
3.

 NOTE:

Some variation in the illustrations may occur, but the essential information is always correct.

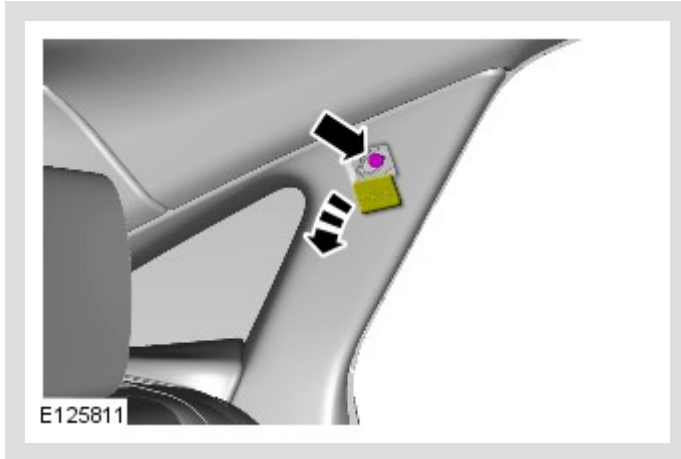


4.



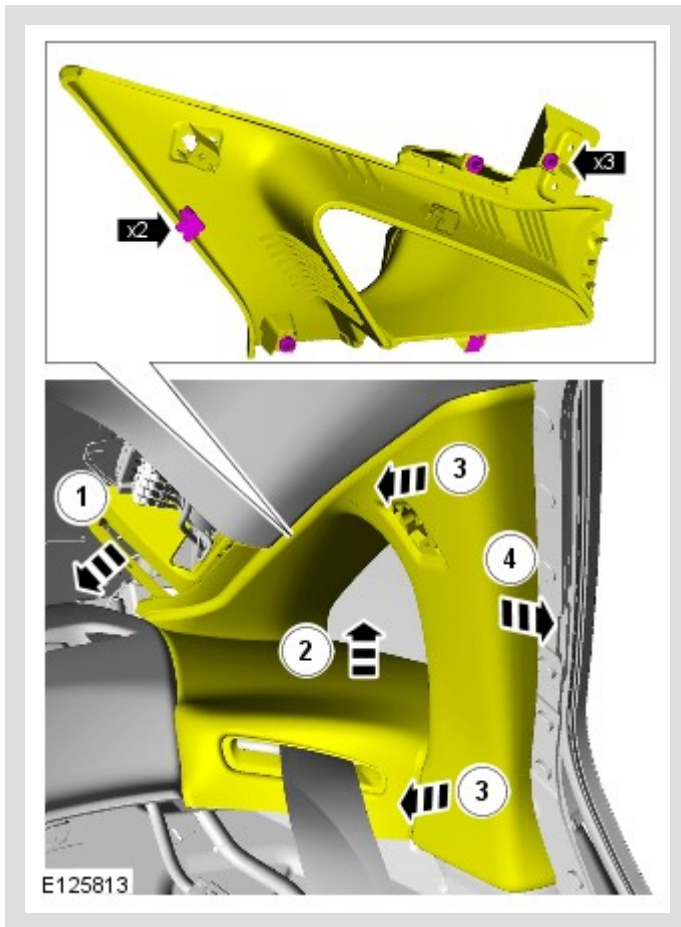
Torque: 40 Nm

5.

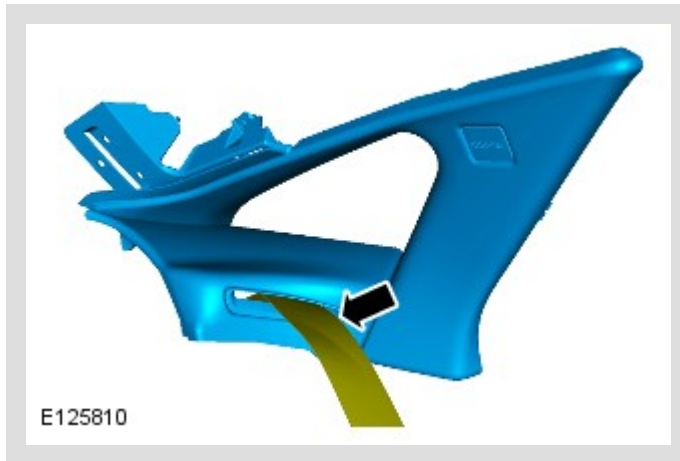


Torque: 6 Nm

6.



7.



INSTALLATION

1. To install, reverse the removal procedure.

2.  **NOTE:**

Make sure that all the clips are correctly installed.

