

2010.0 X351, 501-05

INTERIOR TRIM AND ORNAMENTATION

PARCEL SHELF (G1267482)

REMOVAL AND INSTALLATION

76.67.06	REAR PARCEL TRAY - RENEW	ALL DERIVATIVES	0.9	USED WITHINS
----------	-----------------------------------	--------------------	-----	-----------------

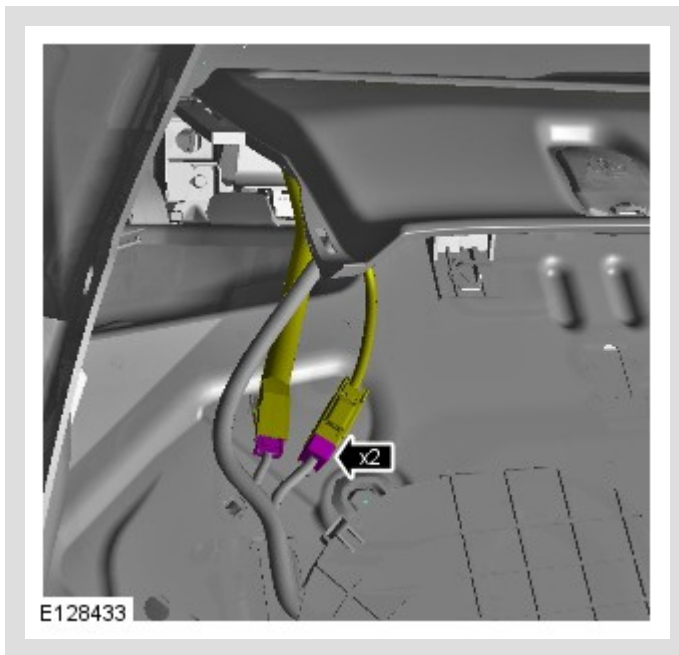
REMOVAL

All vehicles

1. Refer to: [C-Pillar Lower Trim Panel](#) (501-05 Interior Trim and Ornamentation, Removal and Installation).

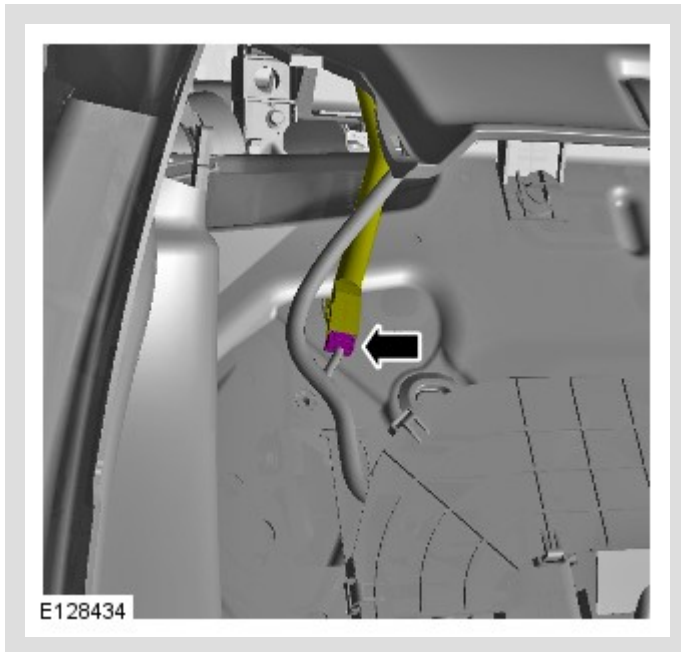
Vehicles with electric rear blind

- 1.



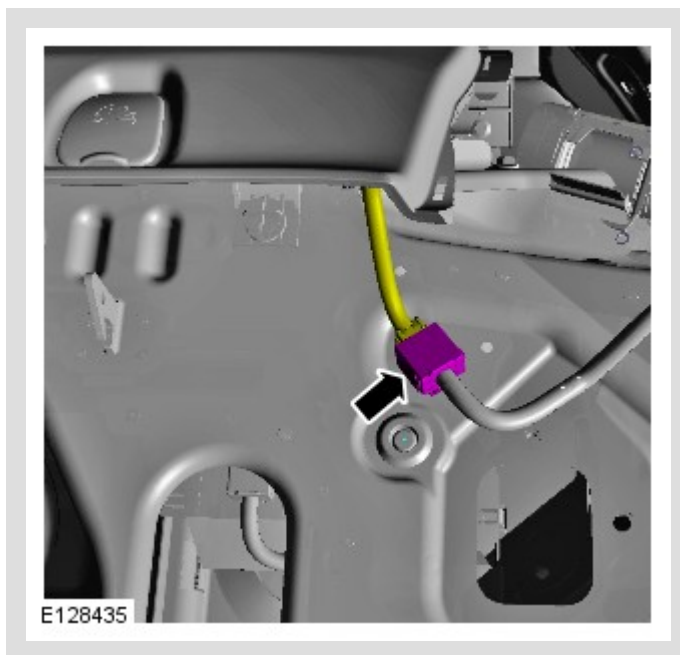
Vehicles without electric rear blind

1.



All vehicles

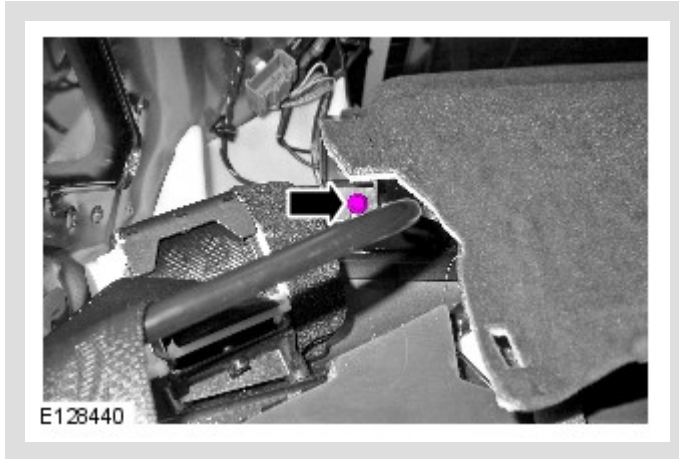
1.



2.

 **NOTE:**

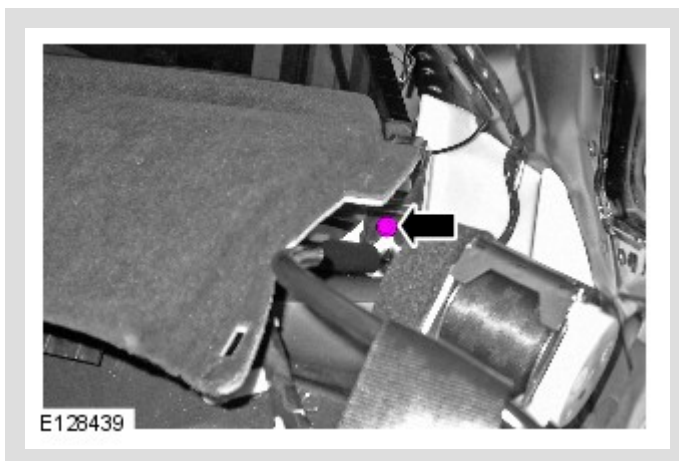
Loosen the bolt, but do not fully remove.



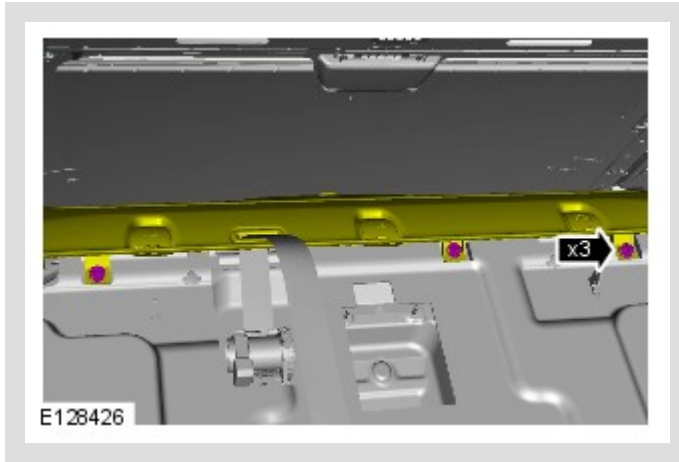
3.

⚠ NOTE:

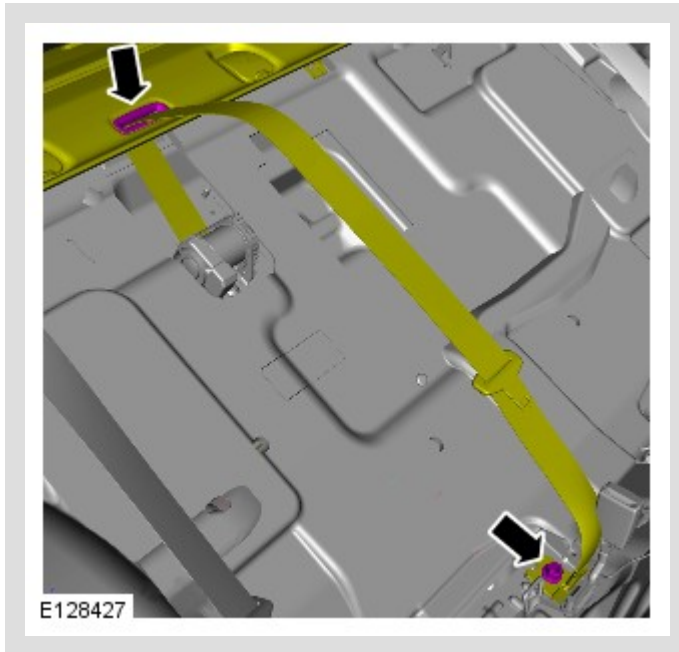
Loosen the bolt, but do not fully remove.



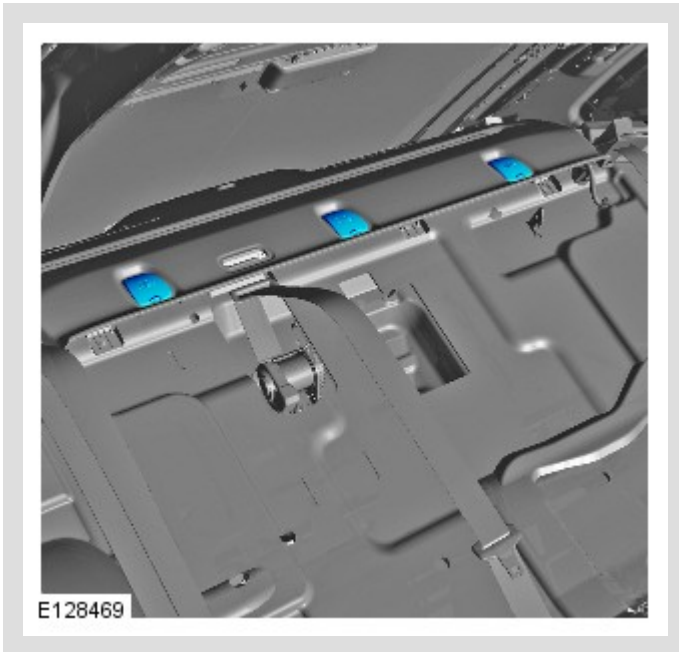
4.



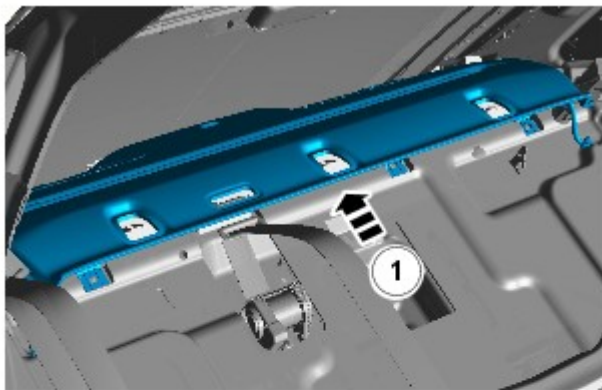
5.



6.



7.



E128426

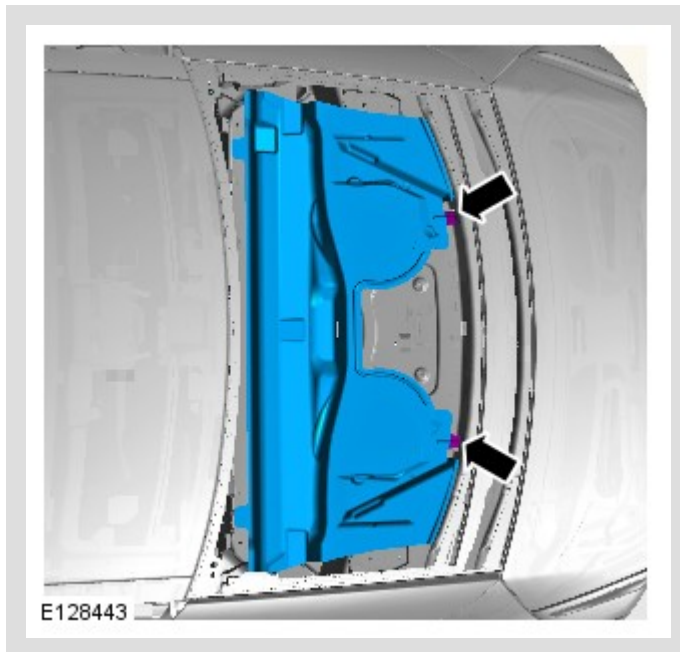
INSTALLATION

All vehicles

1.

⚠ CAUTION:

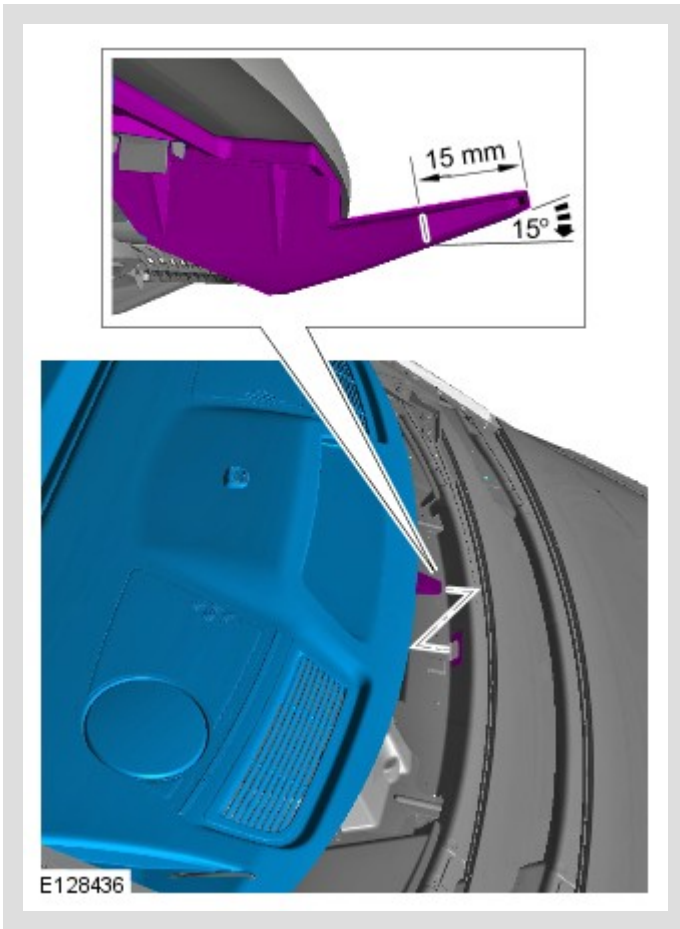
Make sure that the noise vibration harshness (NVH) material is correctly located.

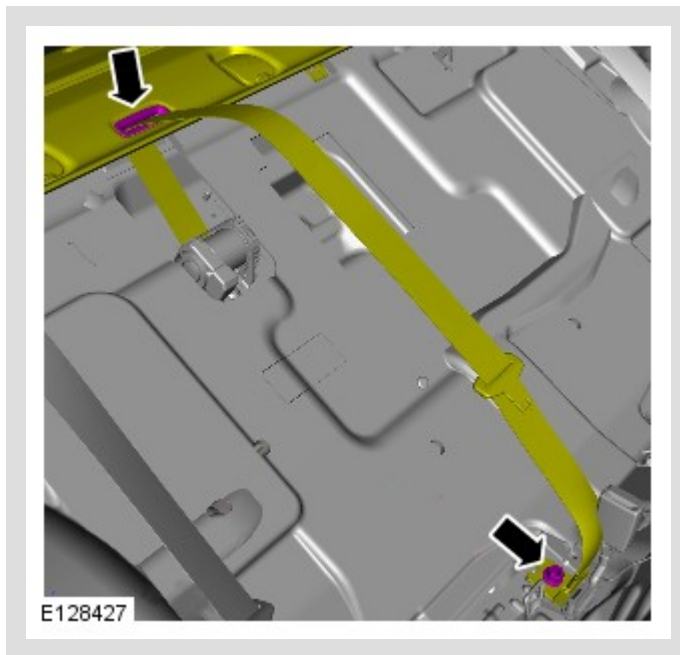


2.

⚠ CAUTION:

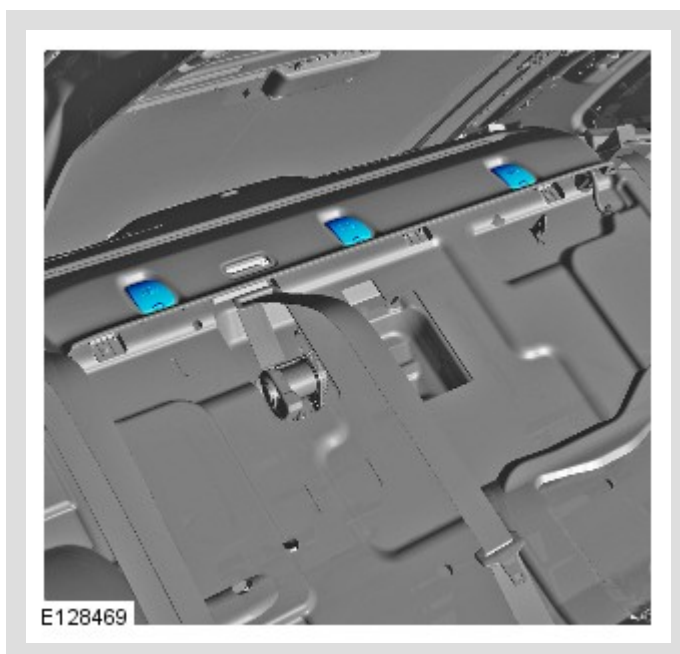
Make sure that the wiring harness does not catch when installing the parcel shelf.



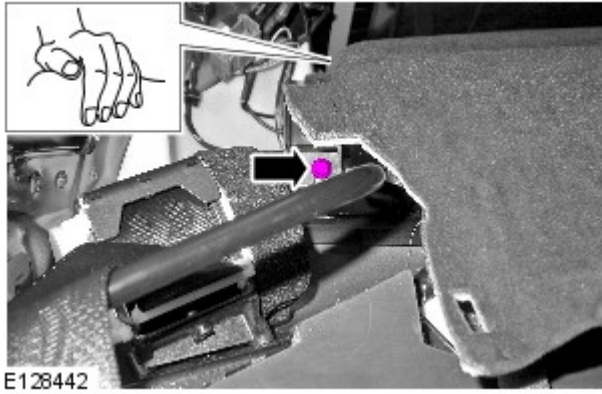


Torque: 40 Nm

4.

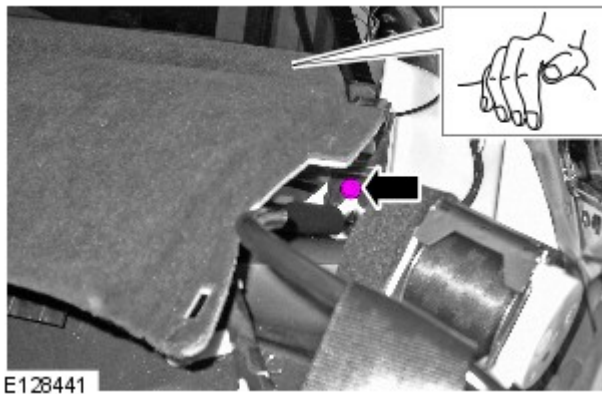


5.



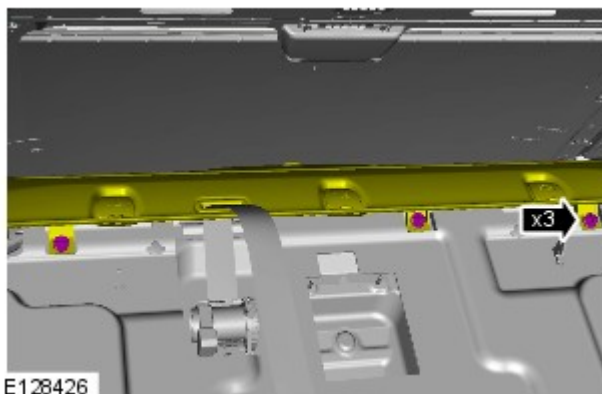
- *Torque: 6 Nm*
- Apply gentle pressure.

6.



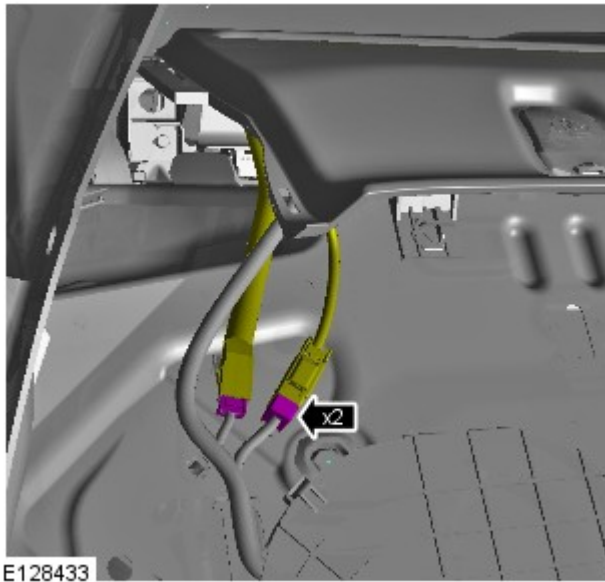
- *Torque: 6 Nm*
- Apply gentle pressure.

7.



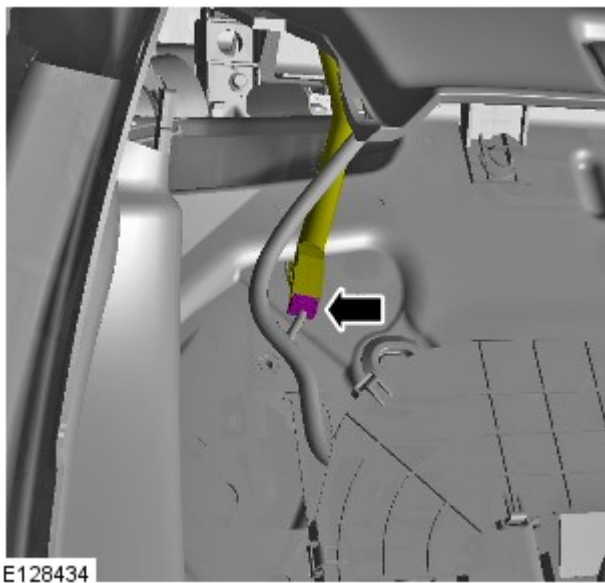
Vehicles with electric rear blind

1.



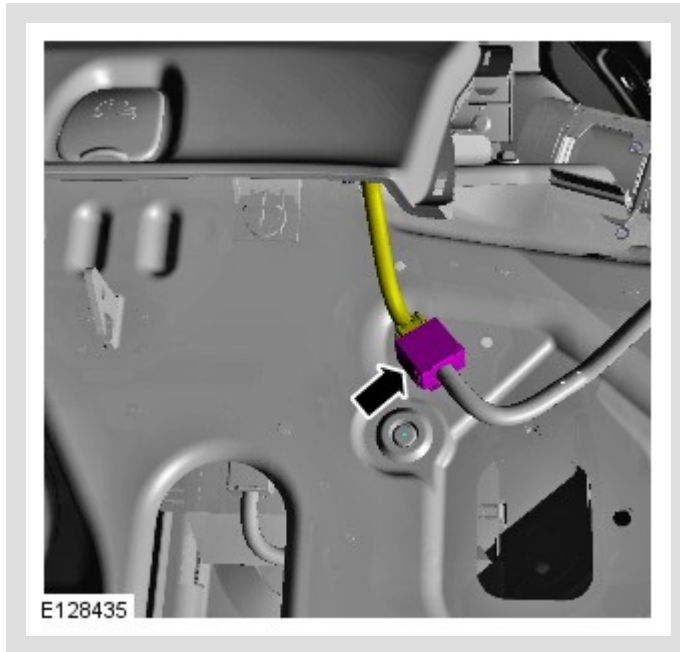
Vehicles without electric rear blind

1.



All vehicles

1.



2. Refer to: [C-Pillar Lower Trim Panel](#) (501-05 Interior Trim and Ornamentation, Removal and Installation).