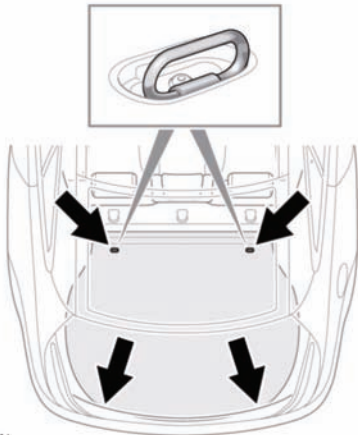


Luggage compartment

LUGGAGE ANCHOR POINTS



E132491



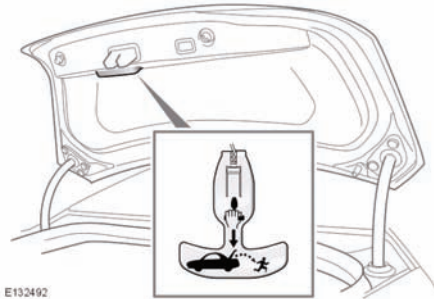
All items carried in the vehicle should be properly secured.

Four load securing points are provided in the rear luggage area to assist in safely securing items.

Note: A range of approved luggage retention accessories are available from your Dealer/ Authorised Repairer.

LUGGAGE COMPARTMENT EMERGENCY RELEASE

The mechanical luggage compartment release provides a means of escape in the event of someone being locked in the luggage compartment. Adults are advised to familiarise themselves with the operation of the release handle.



E132492

The release handle glows in the dark and is located on the inside of the luggage compartment lid. To open the luggage compartment from the inside, pull the handle while pushing the luggage compartment lid upwards.

Return the handle to its stowage position after use.

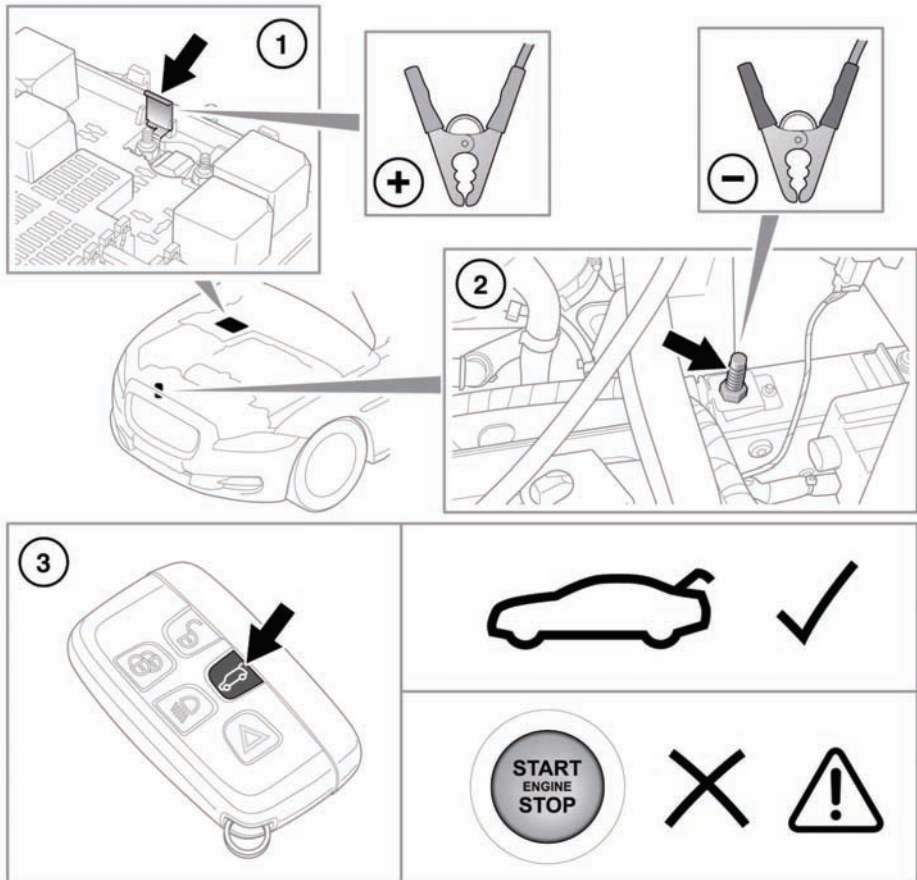
LUGGAGE COMPARTMENT RELEASE WHEN BATTERY IS DISCHARGED

If the battery becomes discharged when the luggage compartment is shut, it will be necessary to supply power to the release circuit in order to open it.



Supplying power to the release circuit in the following manner may cause a fuse to blow. For this reason it is recommended that the following procedure is only carried out by suitably qualified persons.

Luggage compartment



E132493

With the bonnet open and the engine and fuse box covers removed, connect booster cables to a suitable 12v supply. Then:-

1. Attach the positive booster cable clamp to the connection point next to the 100A Midi fuse.
2. Attach the negative booster cable clamp to the earthing post at the front of the right-hand chassis leg.
3. Press the luggage compartment release button on the remote control.

⚠ Do not attempt to start the vehicle with power supplied in this way.