

# JAGUAR OF TAMPA



320 E. FLETCHER AVE.  
TAMPA, FL 33612  
PHONE: (813) 371-8200

**RETURN/REFUND POLICY:** ALL RETURNS MUST BE ACCOMPANIED BY THIS INVOICE AND ARE SUBJECT TO A 15% RESTOCKING CHARGE. RETURNED ITEMS MUST BE IN THE ORIGINAL UNOPENED BOX OR CONTAINER. PLEASE NOTE THAT THE DEALERSHIP WILL NOT ACCEPT RETURNS OR MAKE REFUNDS AFTER 30 DAYS. NO REFUNDS OR RETURNS ON SPECIAL ORDER PARTS OR ELECTRICAL PARTS.  
JAGUAR OF TAMPA  
320 E. FLETCHER AVE.  
TAMPA, FL 33612

**DISCLAIMER OF WARRANTY:** ALL PARTS AND ACCESSORIES ARE SOLD BY THE DEALERSHIP AS-IS. ANY WARRANTIES ON THE PARTS OR PRODUCTS DESCRIBED BELOW ARE THOSE OF THE MANUFACTURER OR DISTRIBUTOR OF THE PARTS OR PRODUCTS. THE DEALERSHIP HEREBY EXPRESSLY DISCLAIMS ALL WARRANTIES, EXPRESS AND IMPLIED, INCLUDING ANY IMPLIED WARRANTIES OF MERCHANTABILITY AND FITNESS FOR A PARTICULAR PURPOSE, WITH RESPECT TO THE SAME. THE DEALERSHIP NEITHER ASSUMES NOR AUTHORIZES ANY OTHER PERSON TO ASSUME FOR IT ANY LIABILITY IN CONNECTION WITH THE SALE OF SAID PARTS OR PRODUCTS. CUSTOMER SHALL NOT BE ENTITLED TO RECOVER FROM THE DEALERSHIP ANY CONSEQUENTIAL DAMAGES, DAMAGES TO PROPERTY, DAMAGES FOR LOSS OF USE, LOSS OF TIME, LOSS OF PROFIT OR INCOME, OR ANY OTHER INCIDENTAL DAMAGES. THIS DISCLAIMER IN NO WAY AFFECTS THE PROVISIONS OF ANY MANUFACTURER OR DISTRIBUTOR WARRANTIES.

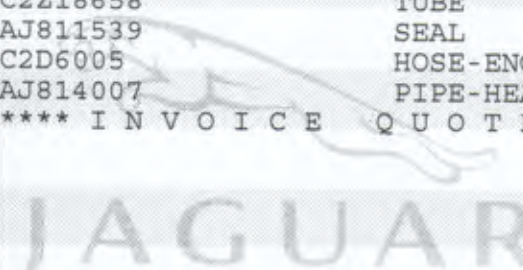
DATE ENTERED 13 OCT 21	YOUR ORDER NO.	DATE SHIPPED 13 OCT 21	INVOICE DATE	INVOICE NUMBER Q69497
---------------------------	----------------	---------------------------	--------------	--------------------------

\*\*QUOTE\*\*

SOLD TO ACCOUNT NO. P1 CASH RETAIL  
SHIP TO PAGE 1 OF 1

SHIP VIA	SLSM. 6586	B/L NO.	TERMS CASH SALE	F.O.B. POINT TAMPA, FL
----------	---------------	---------	--------------------	---------------------------

QTY	UNIT	PART NO.	DESCRIPTION	LIST	NET	AMOUNT
6	1	AJ813565	HOSE	50.75	50.75	50.75
4	1	C2Z28467	TUBE	71.50	71.50	71.50
8	1	AJ89664	PIPE-OUTLE	71.00	71.00	71.00
1	1	AJ813909	PUMP-WATER	297.50	297.50	297.50
4	1	C2Z18658	TUBE	30.57	30.57	30.57
5	1	AJ811539	SEAL	11.14	11.14	11.14
5	1	C2D6005	HOSE-ENGIN	55.50	55.50	55.50
3	1	AJ814007	PIPE-HEATE	123.50	123.50	123.50



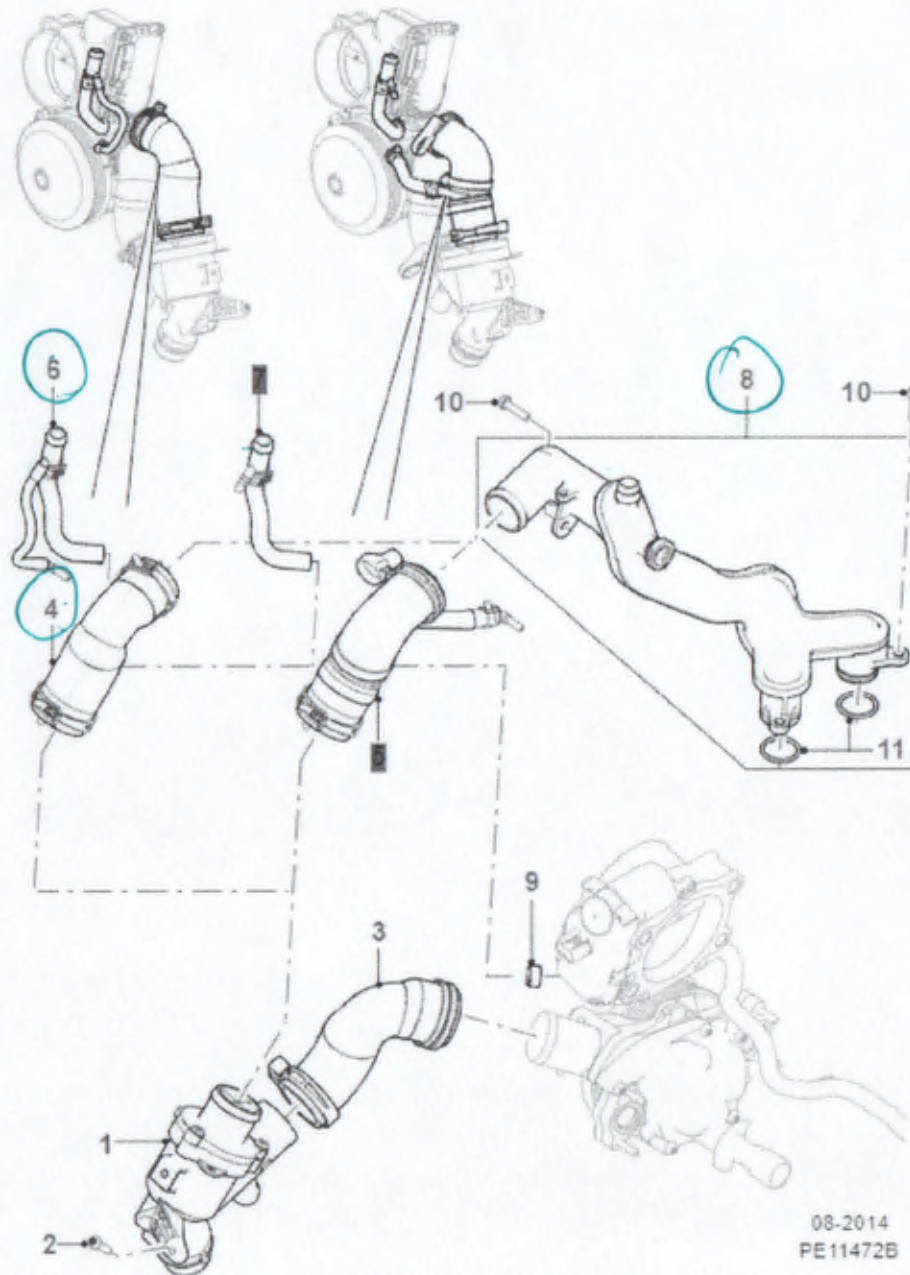
\*\*\*\* INVOICE QUOTE - DO NOT PAY \*\*\*\*

jaguaroftampa.com  
THANK YOU FOR CHOOSING JAGUAR OF TAMPA FAX 813-908-7047  
CALL 888-232-4523 OR 813-579-2282

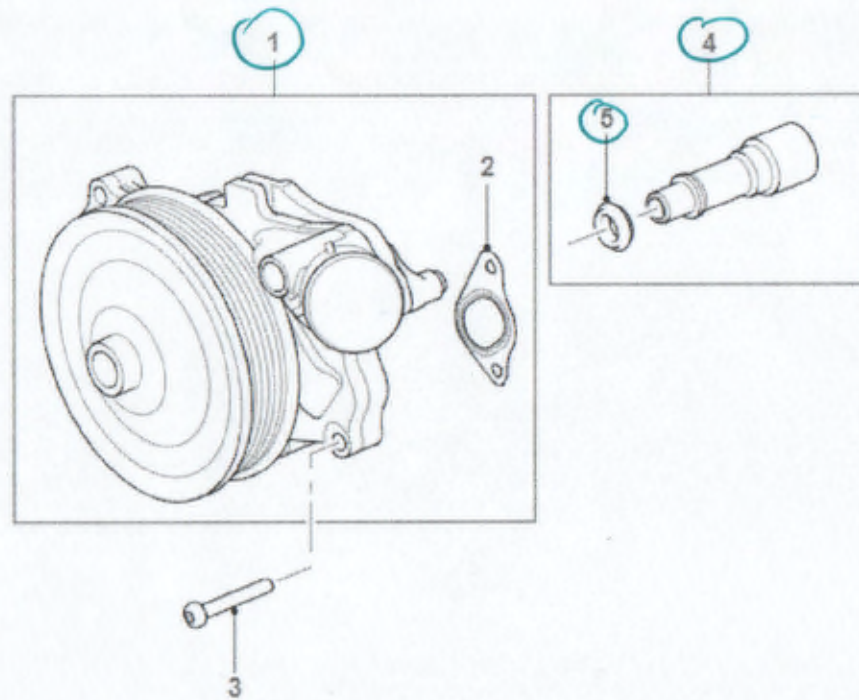
CUSTOMER'S SIGNATURE  
X

PARTS	711.46
SUBLET	
FREIGHT	0.00
SALES TAX	60.50
<b>TOTAL</b>	<b>\$771.96</b>

## PARTS QUOTE



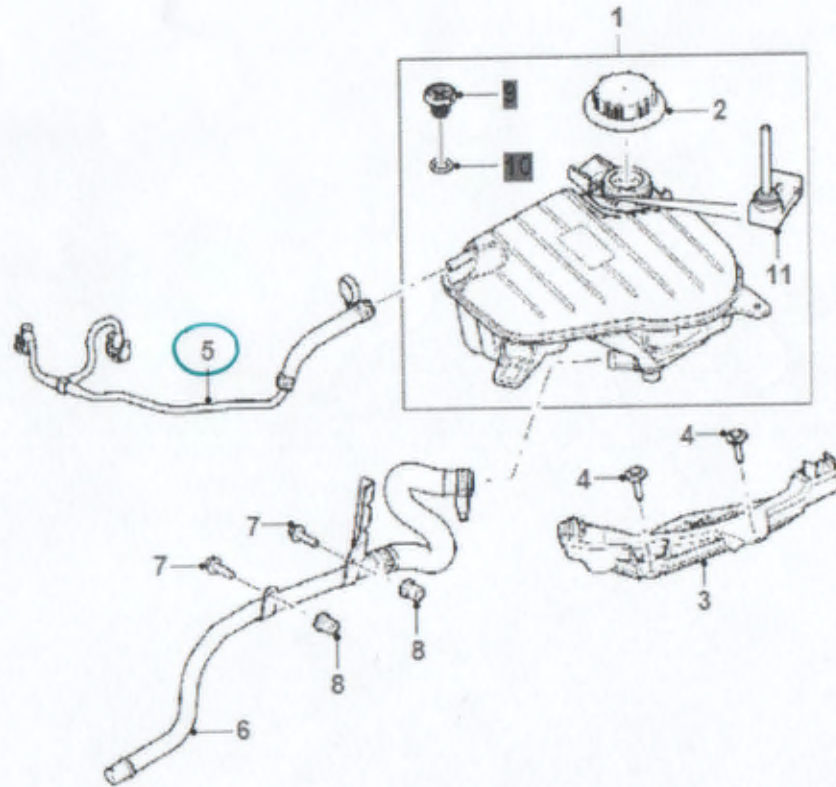
© Copyright, 2016. Jaguar Land Rover Limited.



2

PD11469

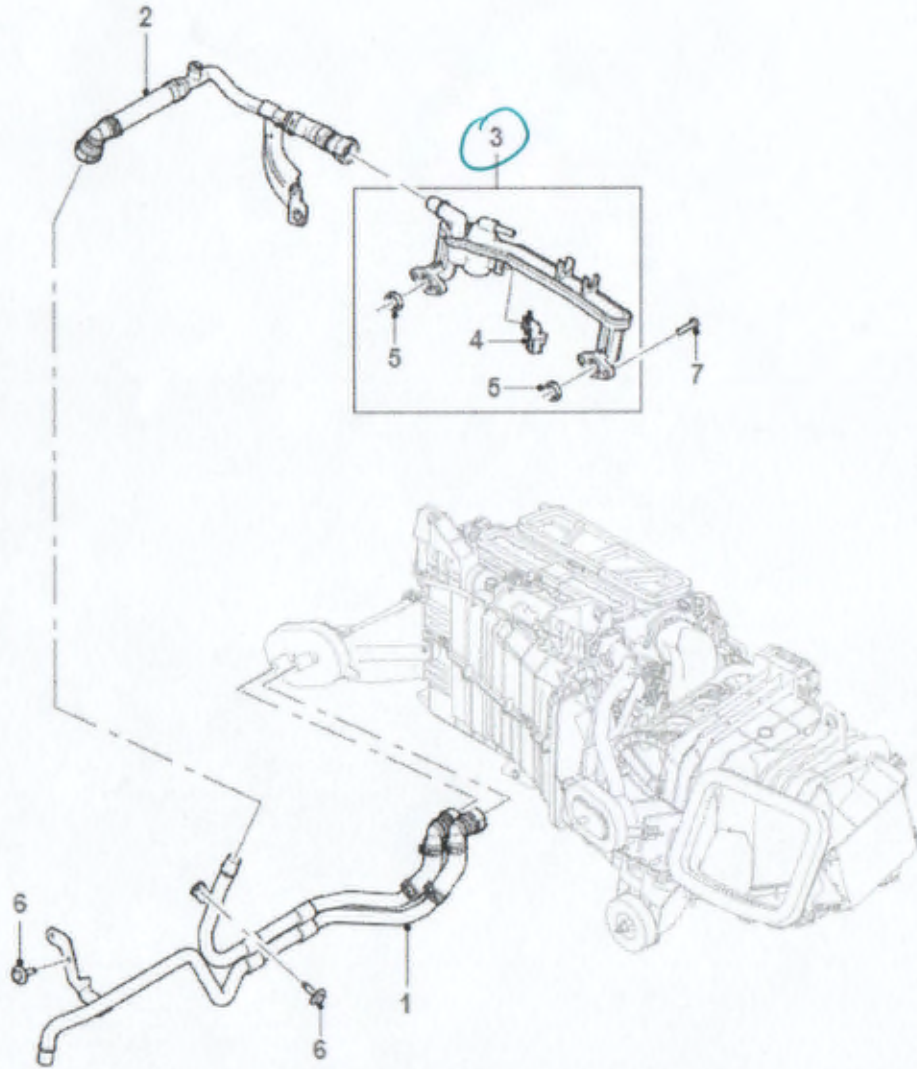
© Copyright, 2016, Jaguar Land Rover Limited.



3

21-2021  
YE11641B

© Copyright. 2018 - 2021. Jaguar Land Rover Limited.



09-2014  
YK13017

© Copyright, 2010, Jaguar Land Rover Limited.