

2011.75 XJ RANGE (X351), 501-17

ROOF OPENING PANEL

## ROOF OPENING PANEL BLIND (G1296529)

### REMOVAL AND INSTALLATION

#### REMOVAL

##### NOTES:

- Removal steps in this procedure may contain installation details.
- Some variation in the illustrations may occur, but the essential information is always correct.

1.

##### NOTE:

The procedure must be carried out on both sides.

Refer to: ['A' Pillar Trim Panel](#) (501-05 Interior Trim and Ornamentation, Removal and Installation).

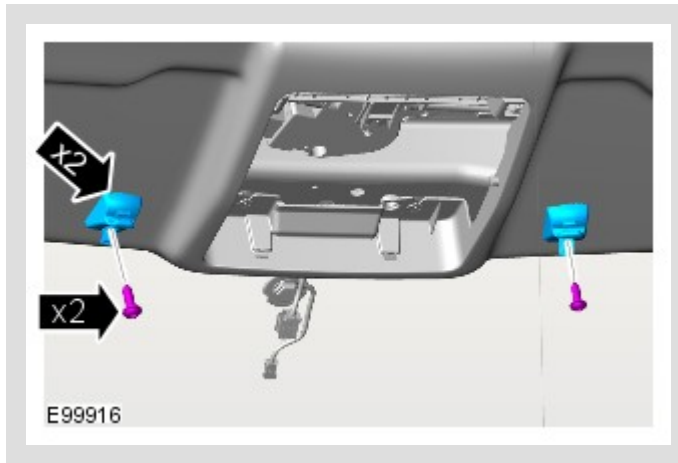
2.

##### NOTE:

The procedure must be carried out on both sides.

Refer to: [Sun Visor](#) (501-05 Interior Trim and Ornamentation, Removal and Installation).

3.



*Torque: 2 Nm*

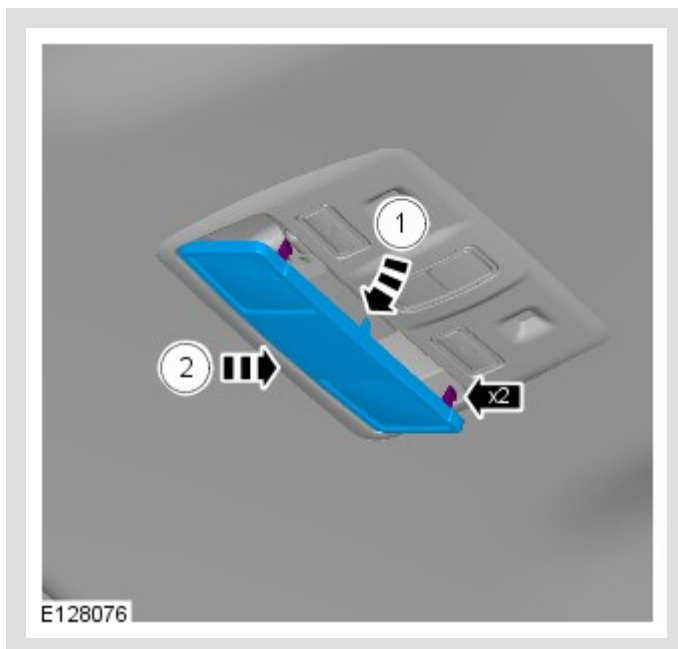
4.

 **NOTE:**

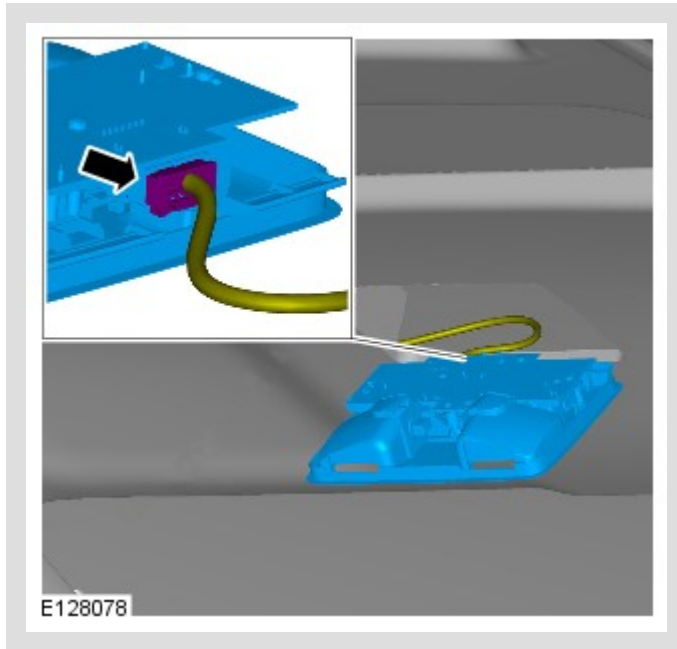
The procedure must be carried out on both sides.

Refer to: '[C](#)' [Pillar Trim Panel](#) (501-05 Interior Trim and Ornamentation, Removal and Installation).

5.



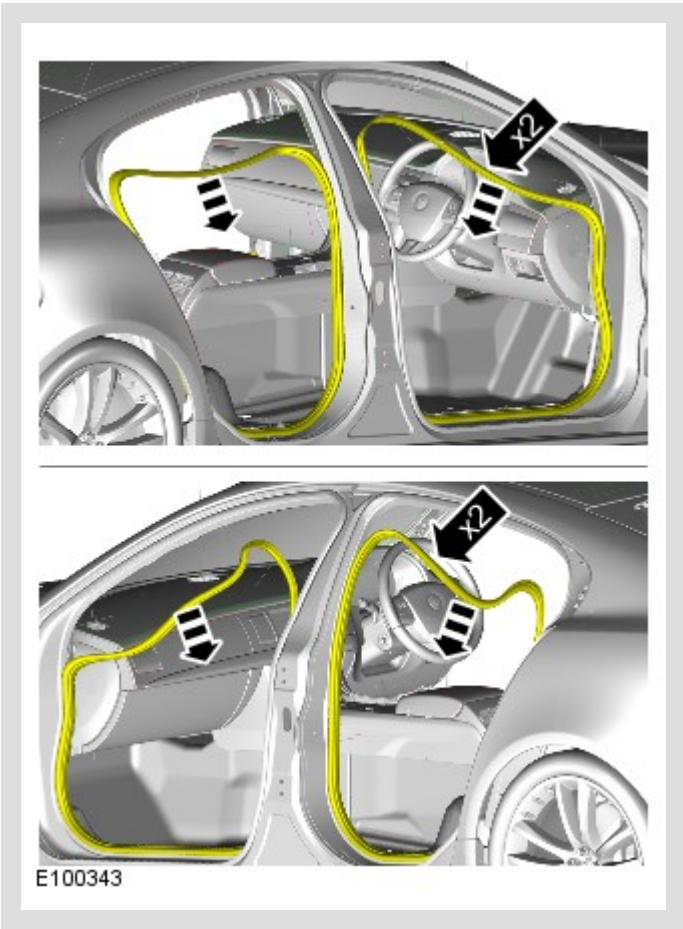
6.



7.

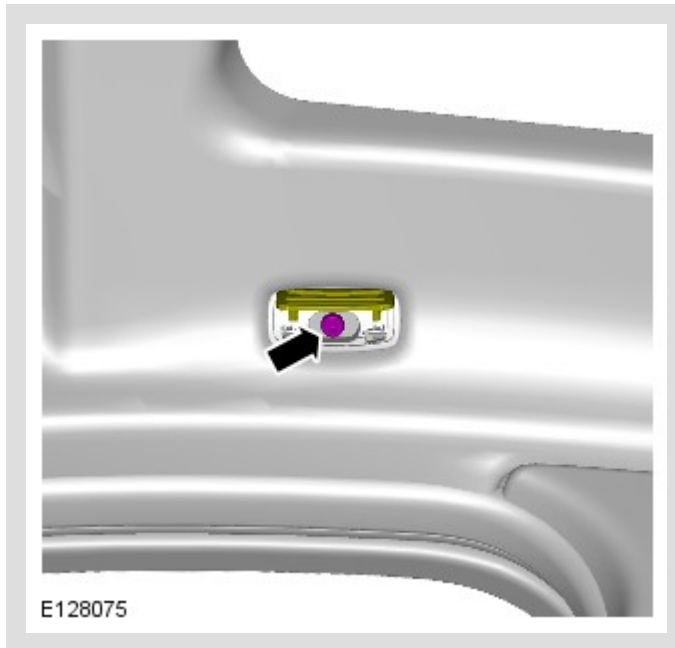
 **NOTE:**

Some variation in the illustrations may occur, but the essential information is always correct.



 NOTES:

- Make sure that the component is installed to the position noted on removal.
- Right-hand shown, left-hand similar.
- The procedure must be carried out on both sides.



*Torque: 2 Nm*

9.

 NOTE:

The procedure must be carried out on both sides.



*Torque: 6 Nm*

10.

 **NOTE:**

The procedure must be carried out on both sides.

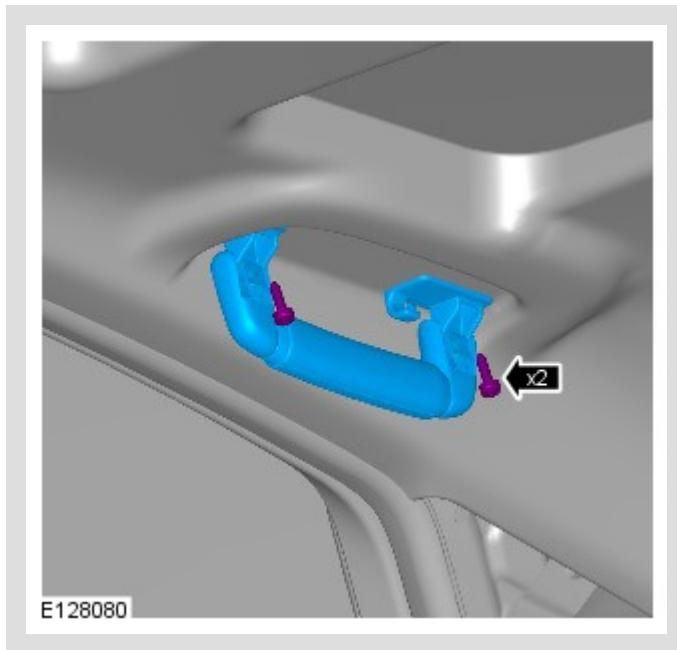


11.



#### NOTES:

- Make sure that the component is installed to the position noted on removal.
- The procedure must be carried out on both sides.

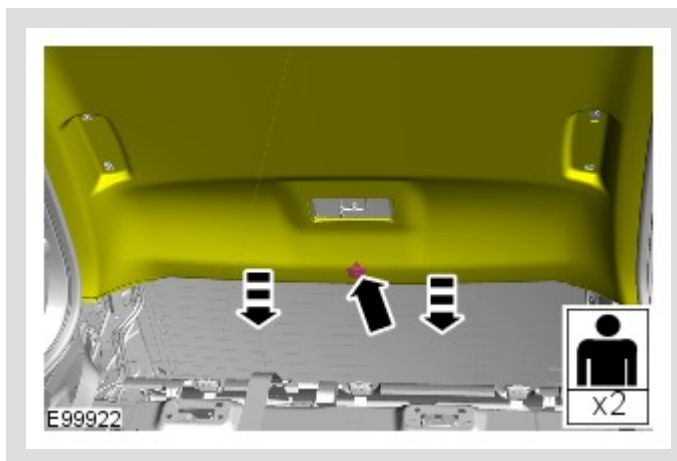


*Torque: 2 Nm*

12.

**⚠ WARNING:**

This step requires the aid of another technician.



13.

**⚠ WARNING:**

This step requires the aid of another technician.



⚠ CAUTIONS:

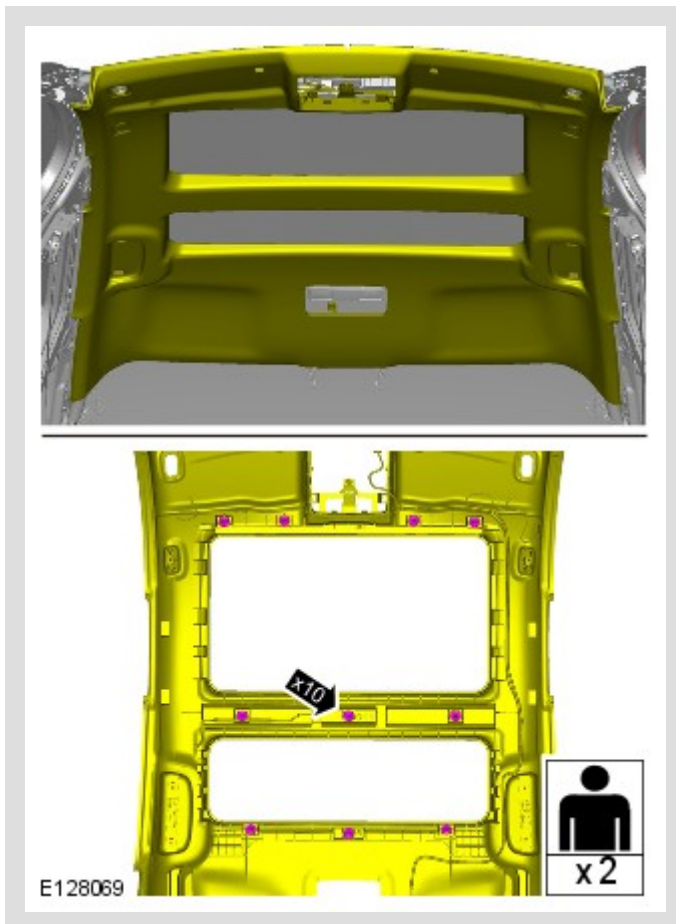
- Note the fitted position of the component prior to removal.
- Make sure that these components are installed to the noted removal position.



14.

△ NOTE:

This step requires the aid of another technician.

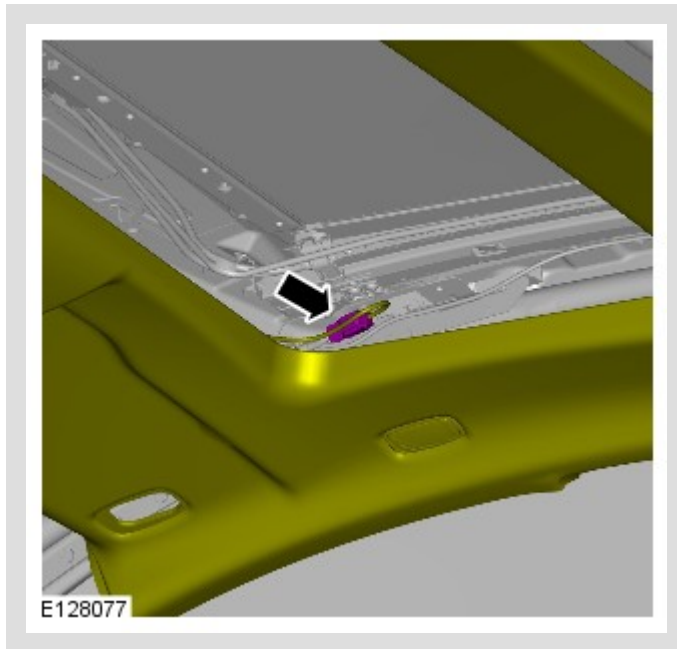


15.



**NOTE:**

This step requires the aid of another technician.



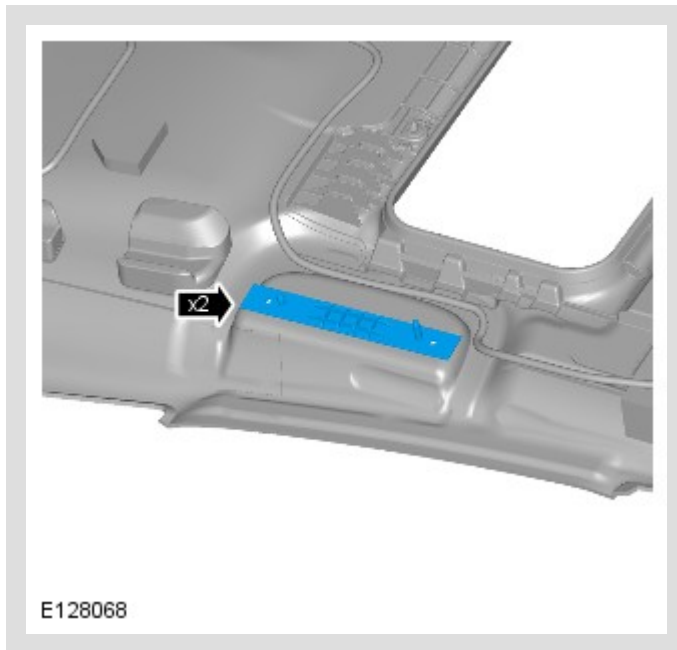
16.

**⚠ CAUTION:**

Note the fitted position of the component prior to removal.

**△ NOTE:**

Make sure that the component is installed to the position noted on removal.



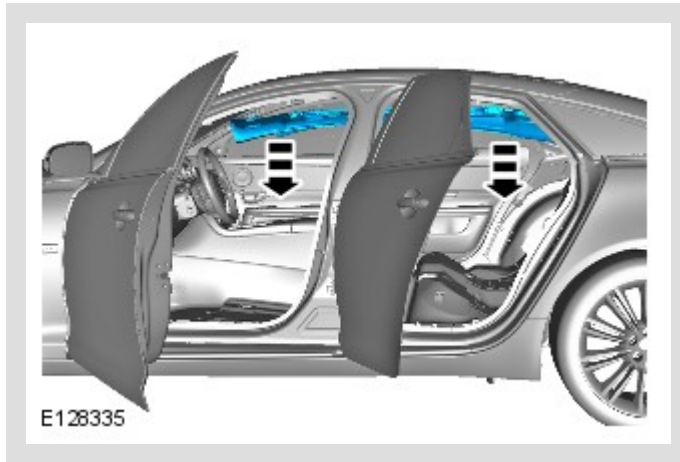
17.

**⚠ CAUTION:**

Protect the surrounding trim to avoid damage.

**△ NOTE:**

Lower and reposition the headliner to aid access.



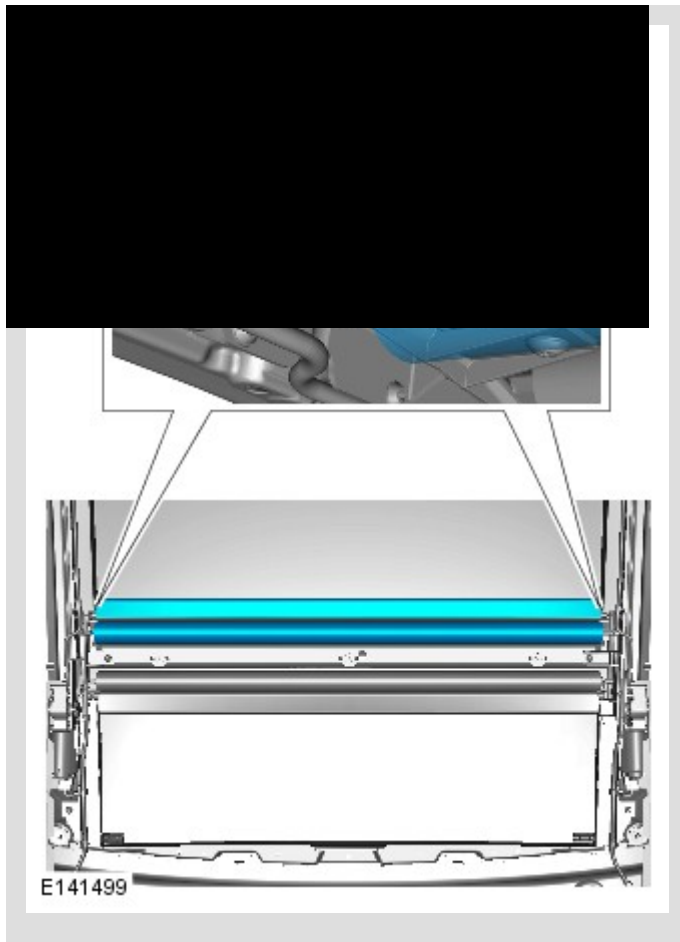
18.

**⚠ CAUTION:**

Make sure that the clips are correctly located.

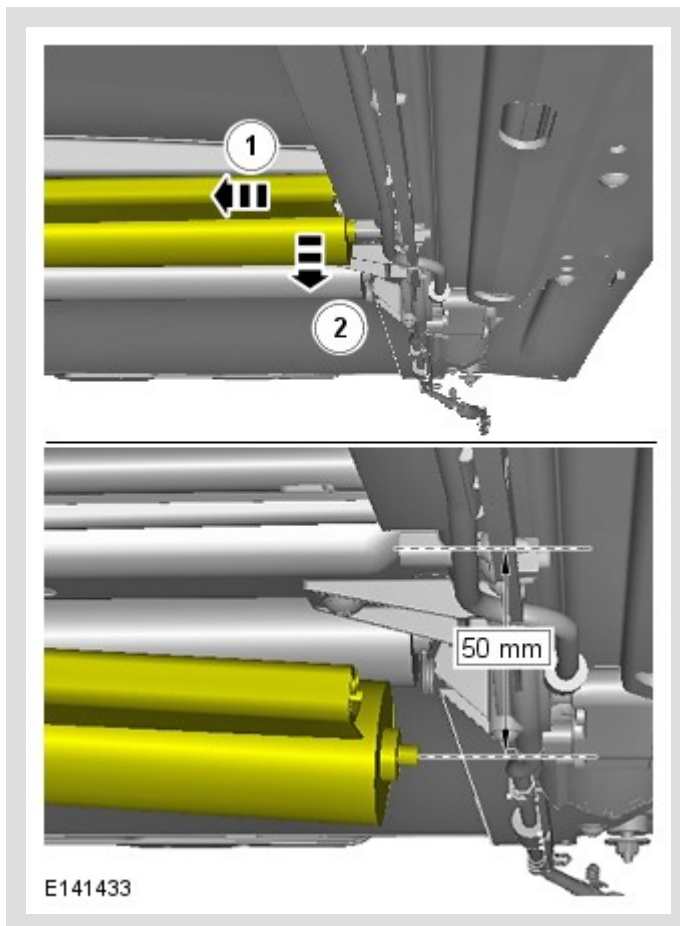
**△ NOTE:**

Follow the animation to make sure the roof opening panel blind is removed and installed correctly from and to the guides.



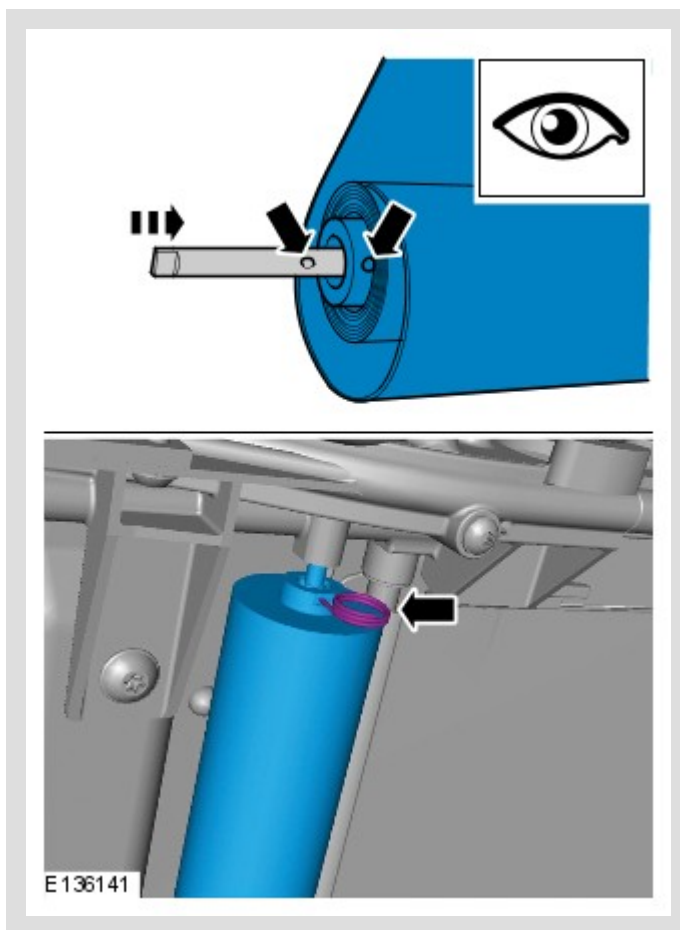
⚠ CAUTIONS:

- Make sure that the roof opening panel blind is not lowered by more than 50 mm at one end whilst the other end is still located in to the drive mechanism.
- Make sure that a firm pressure is applied to the roof opening panel blind so that tension is maintained until the retaining clip is correctly located.



## ⚠ CAUTIONS:

- Make sure that the clip is correctly located.
- If the correct clip is not available, make sure that a suitable hardened pin is used such as a drill bit, do not use a paperclip.
- Make sure that the roof opening panel blind is not released from the drive mechanism until the clip has been correctly located.



Install the retaining clip.

## INSTALLATION

1. Make sure that the roof opening panel blind tension is correct prior to installation. If the tension has been released refer to the roof opening panel blind rewind procedure.



Refer to: [Roof Opening Panel Blind Rewind Procedure](#) (501-17  
Roof Opening Panel, General Procedures).

2. To install, reverse the removal procedure.