

## SEATING

# FRONT ROW SEAT HEAD RESTRAINT (G1302047)

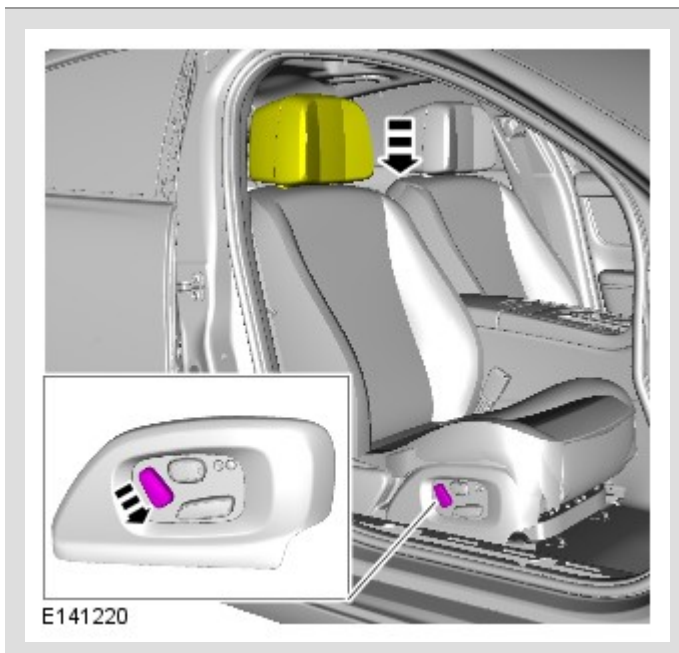
### REMOVAL AND INSTALLATION

#### REMOVAL

#### NOTE:

Removal steps in this procedure may contain installation details.


1.



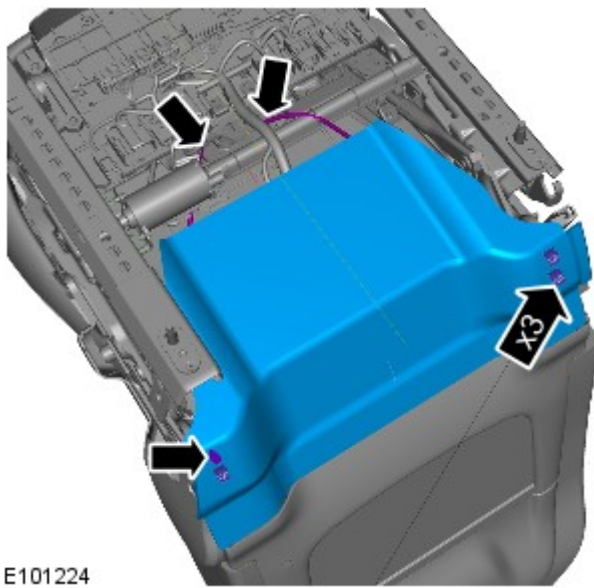
2.

Refer to: Front Row Seat (501-10, Removal and Installation).

3.

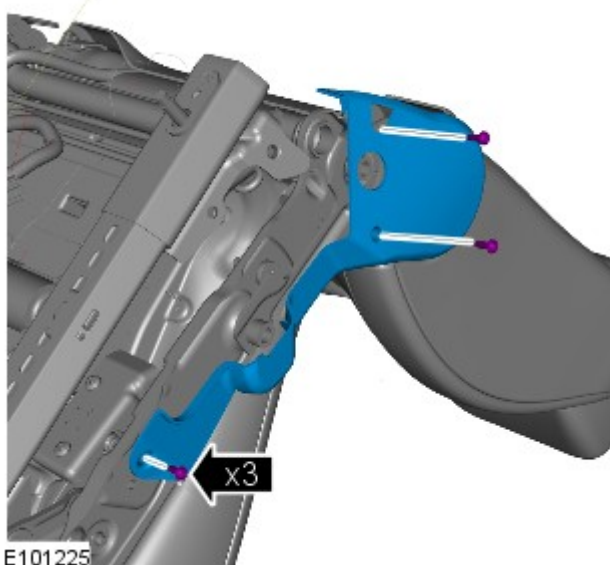
 NOTE:

Make sure that the clips are installed in the correct orientation.



E101224

4.

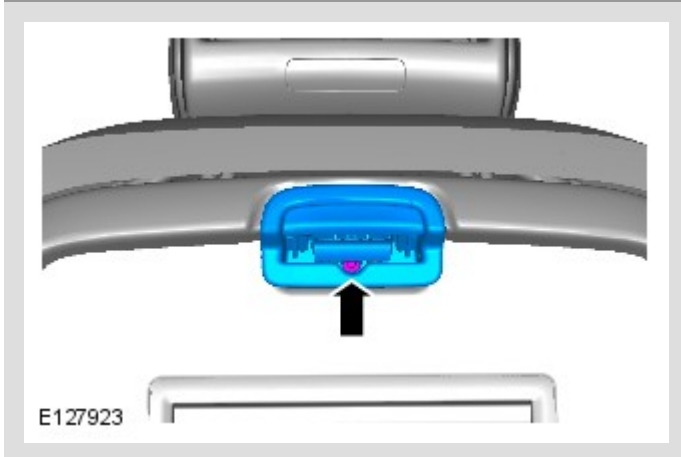



E101225

5.

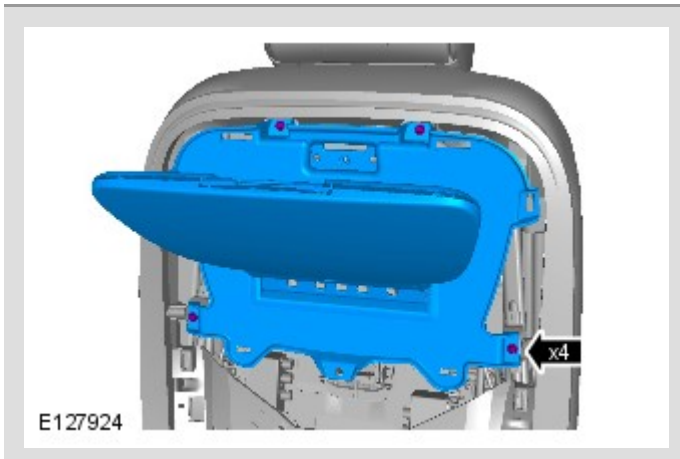


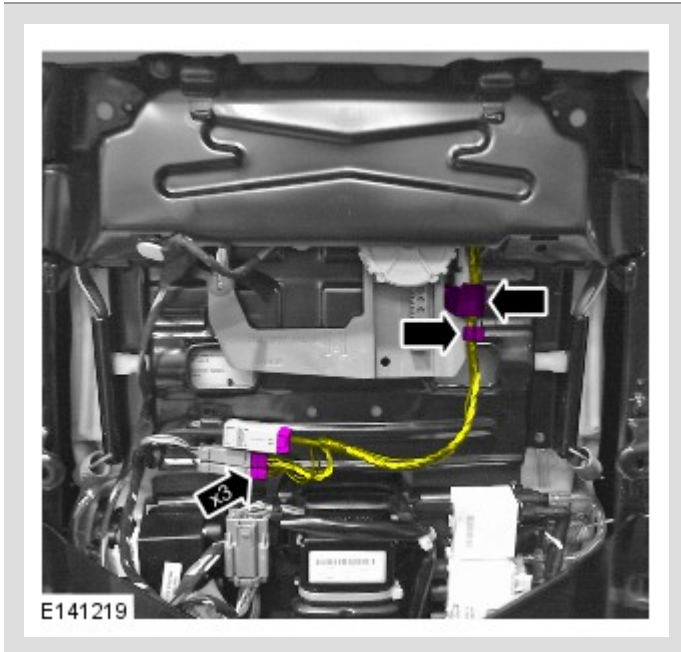
6.



 NOTE:

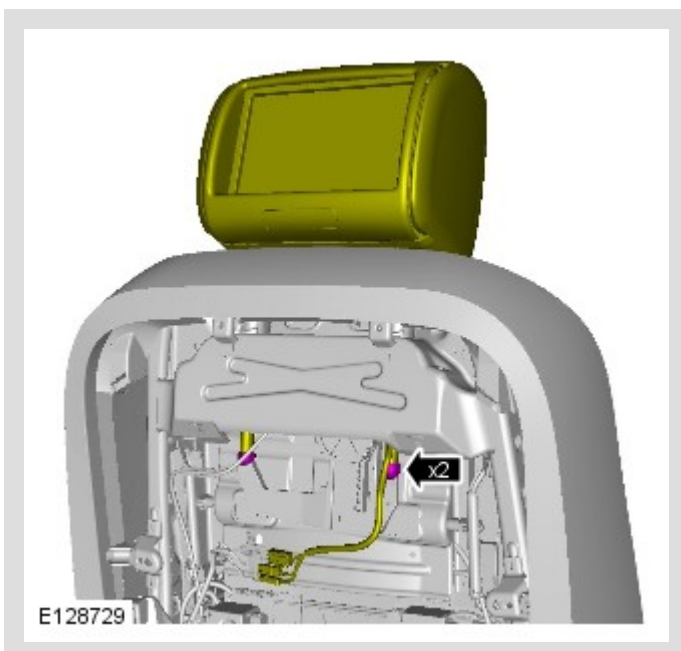
Make sure that the clips are installed in the correct orientation.



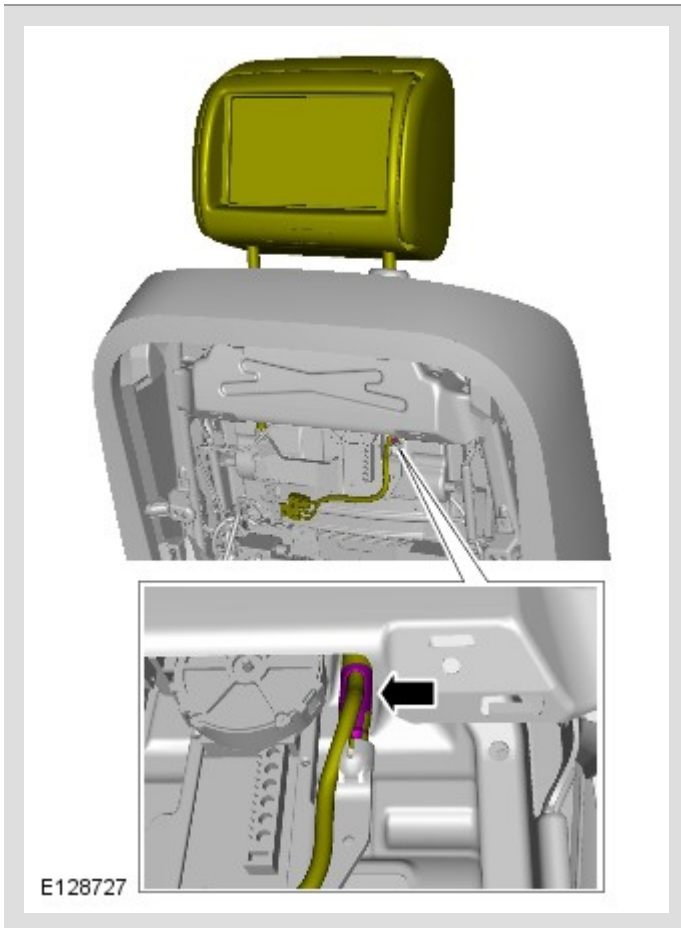


⚠ CAUTION:

Support the head restraint motor assembly while pushing down on the head restraint, you should hear two audible clicks to secure the head restraint to the motor assembly. Failure to do follow this instruction may result in failure of the component.



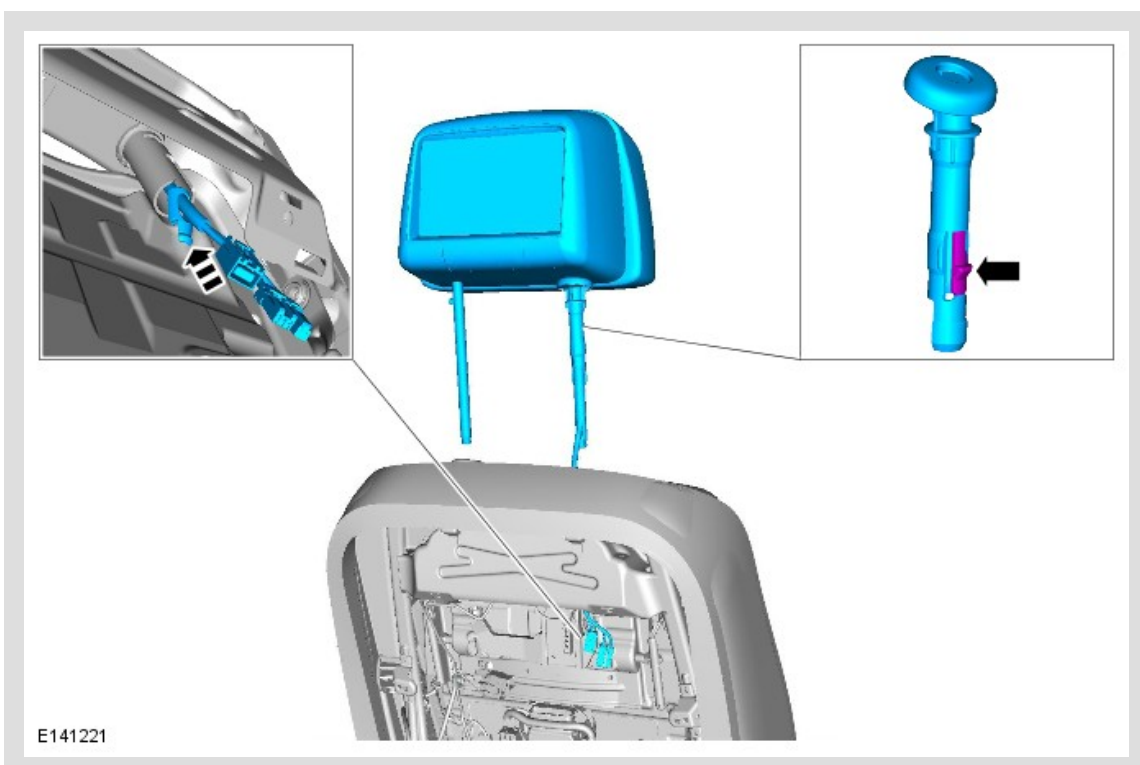
11.




12.

**⚠ CAUTION:**

Take extra care not to damage the wiring harnesses.

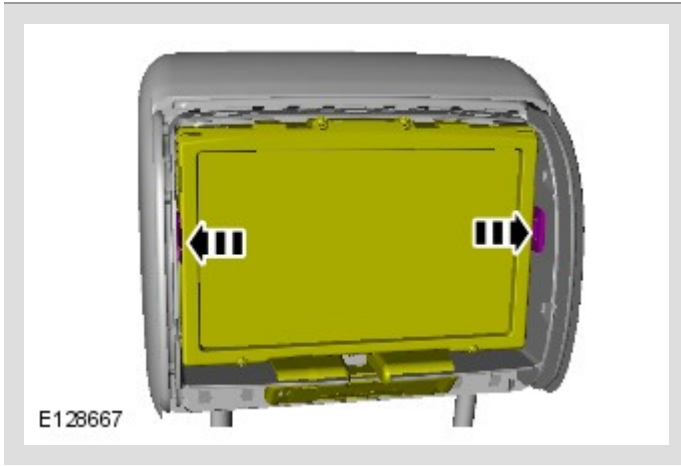


 NOTE:

Do not disassemble further if the component is removed for access only.



15.



16.



## INSTALLATION

1.

To install, reverse the removal procedure.