

INSTRUMENT PANEL AND CONSOLE

INSTRUMENT PANEL LOWER SECTION (G1268201)

REMOVAL AND INSTALLATION

REMOVAL

△ NOTE:

Removal steps in this procedure may contain installation details.

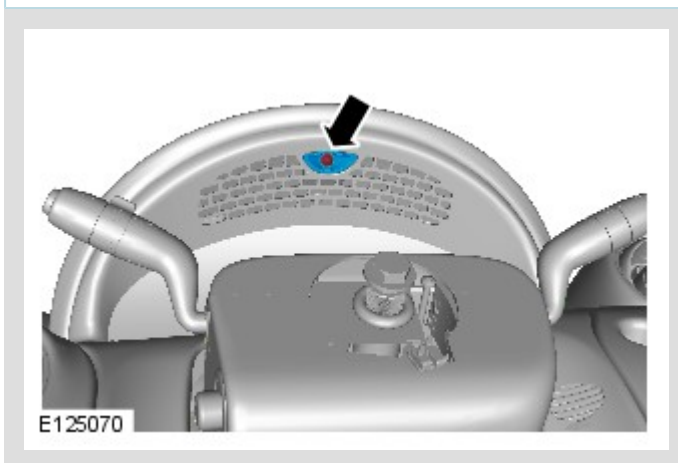
1.

Refer to: Floor Console Side Trim Panel (501-12, Removal and Installation).


2.

△ NOTE:

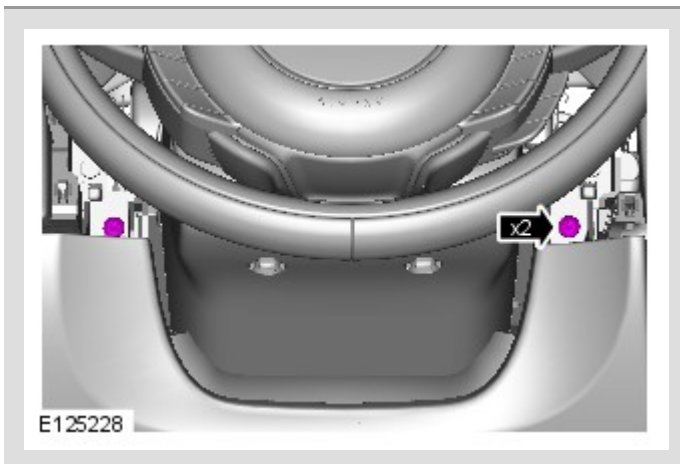
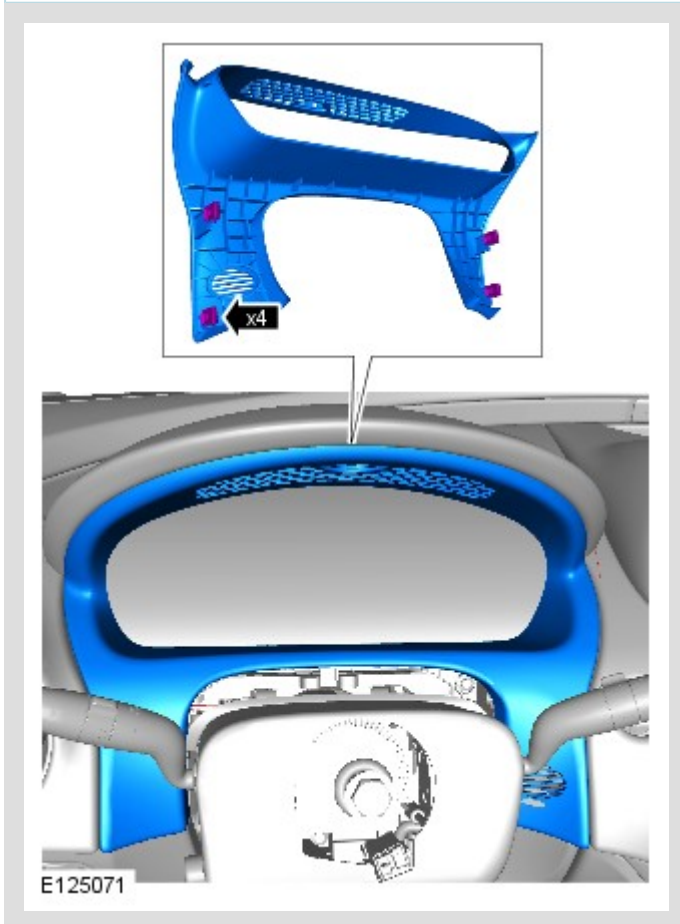
The steering wheel is shown removed for clarity.



Torque: 2 Nm

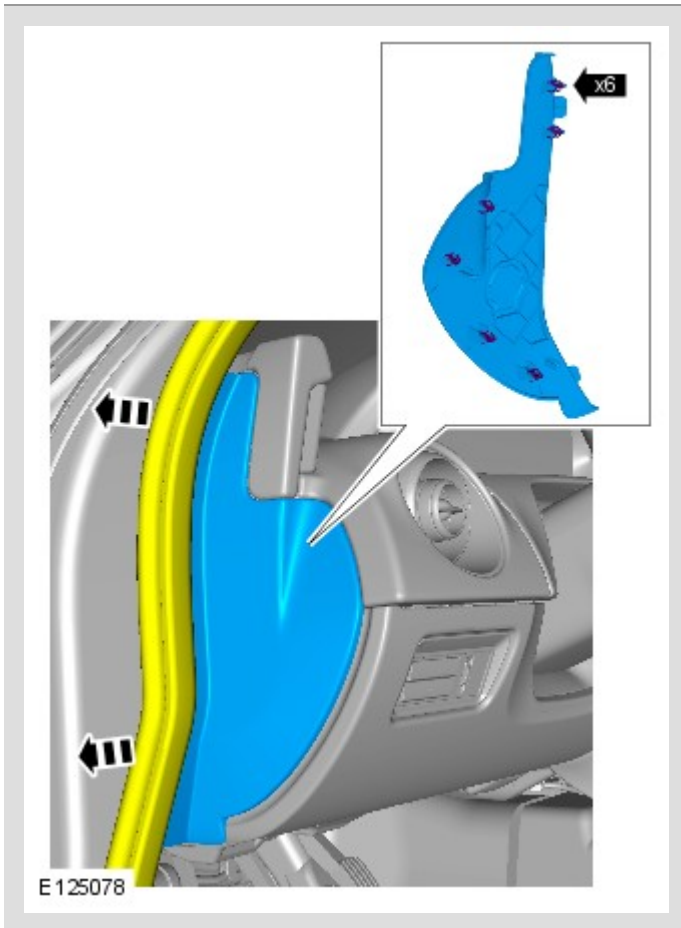
 NOTE:

The steering wheel is shown removed for clarity.

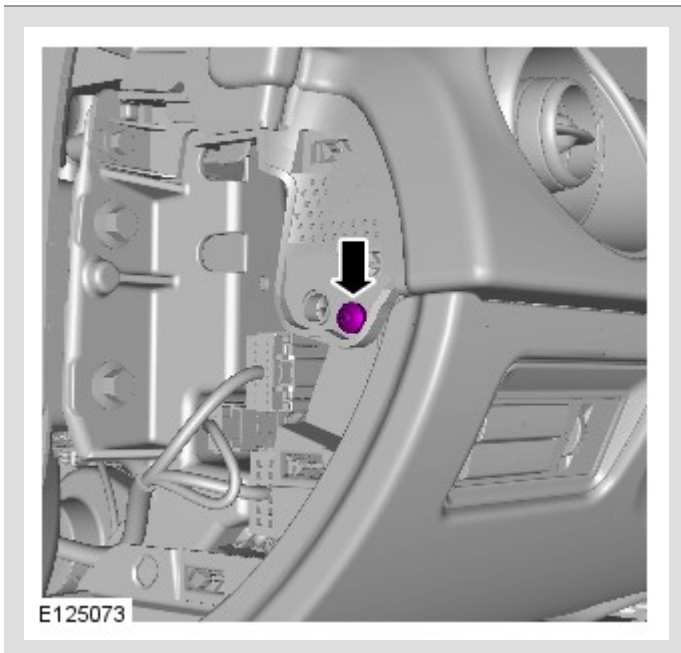


Torque: 2.5 Nm

5.

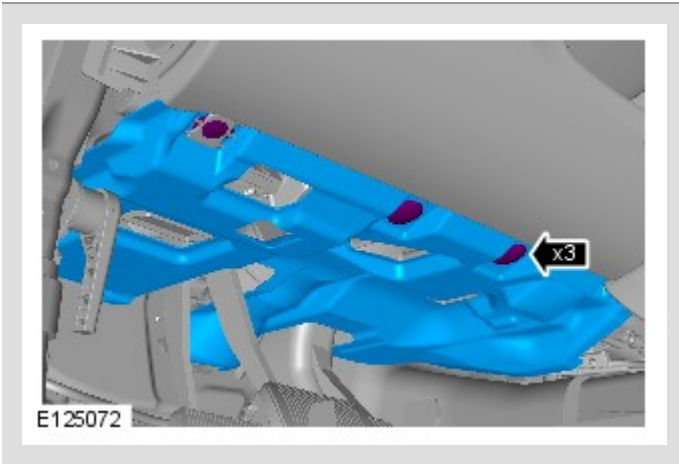


6.

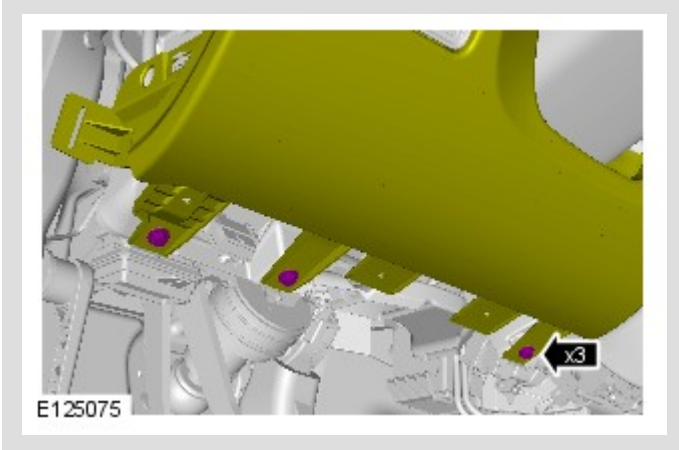


Torque: 2.5 Nm

7.




8.

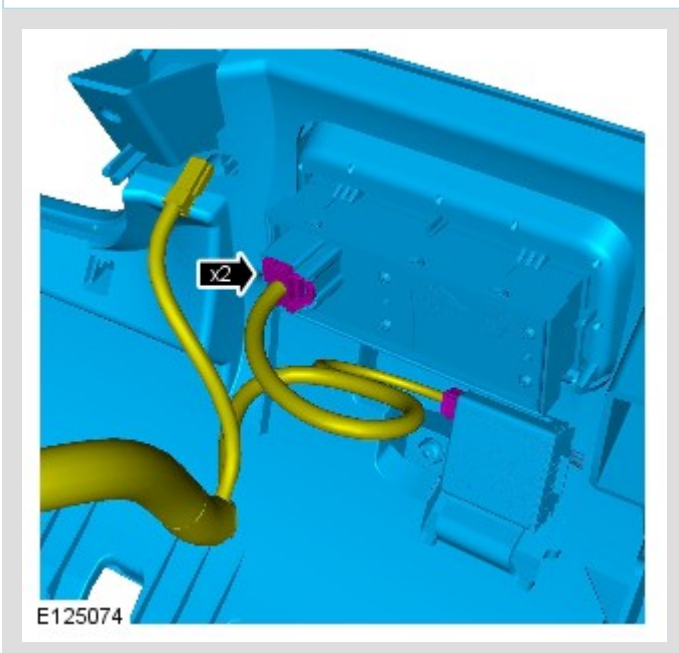


Torque: 9 Nm

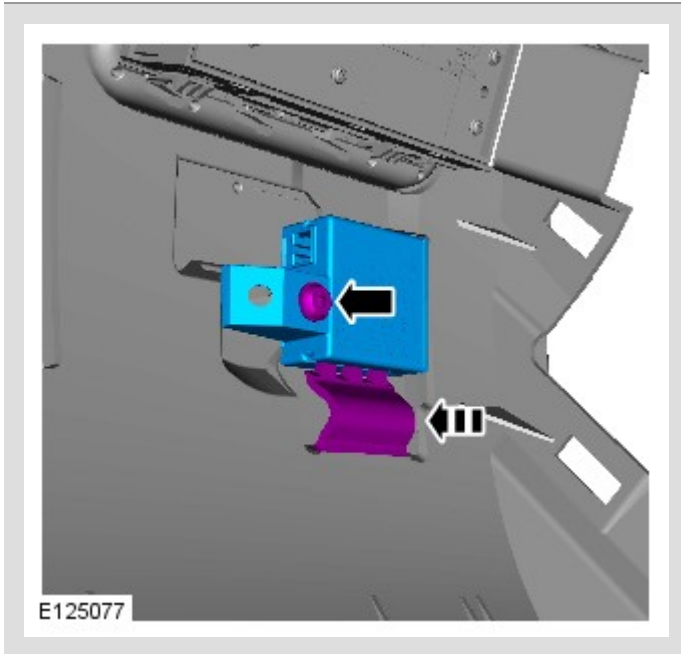
9.

 NOTE:

Do not disassemble further if the component is removed for access only.

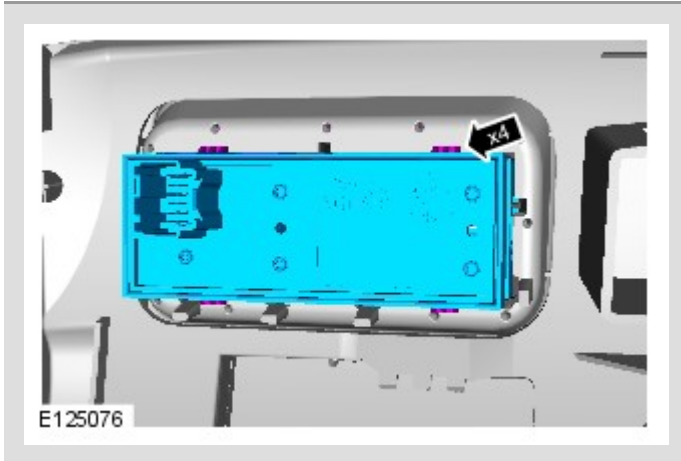


10.



Torque: 2 Nm

11.



INSTALLATION

1.

To install, reverse the removal procedure.