

## Jacking and Lifting - Lifting

Description and Operation

### Lifting Points—Twin-Post Hoist

CAUTIONS:



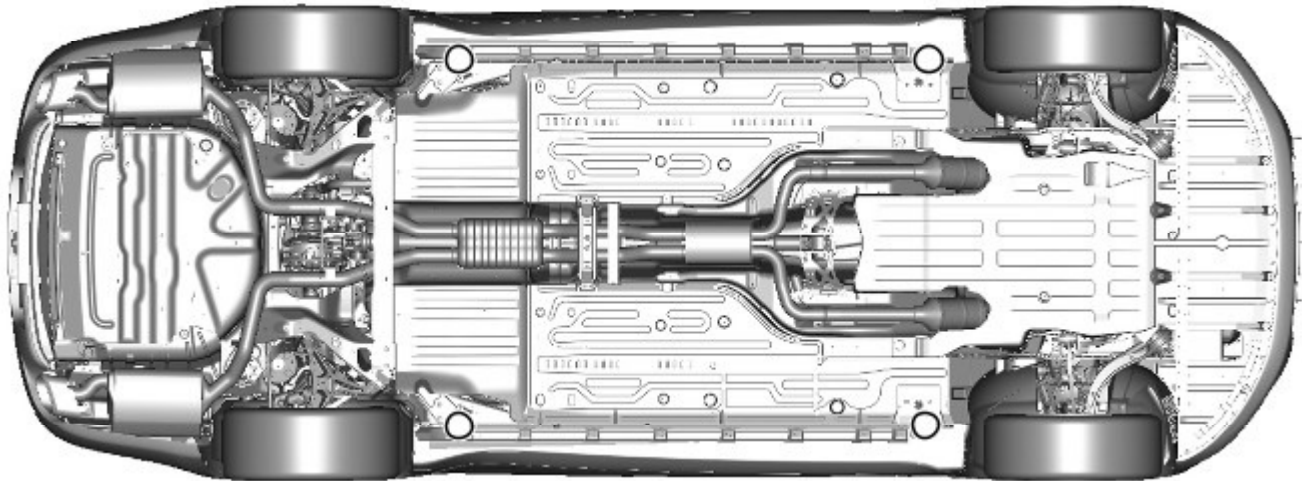
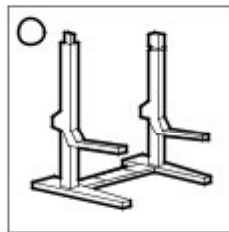
Do not allow the hoist adapters to contact the steering linkage, suspension arms, stabilizer bar, rear subframe stabilizer brackets or to compress the lower suspension arm stabilizer bar insulator. Damage to the suspension, exhaust and steering linkage components may occur if care is not exercised when positioning the hoist adapters of two-post hoists prior to lifting the vehicle.



Never use the rear axle as a lift point. Damage to the rear axle seals and bushes may occur.



When using a twin post hoist, a cushioned pad must be utilized to avoid body damage.



E125995

### Lifting Points—Floor Jack and Axle Stands

CAUTIONS:



If the vehicle is to be lifted using floor jacks, two jacks must be used to raise either the front or rear of the vehicle. If one jack only is used, excessive body twist may occur.



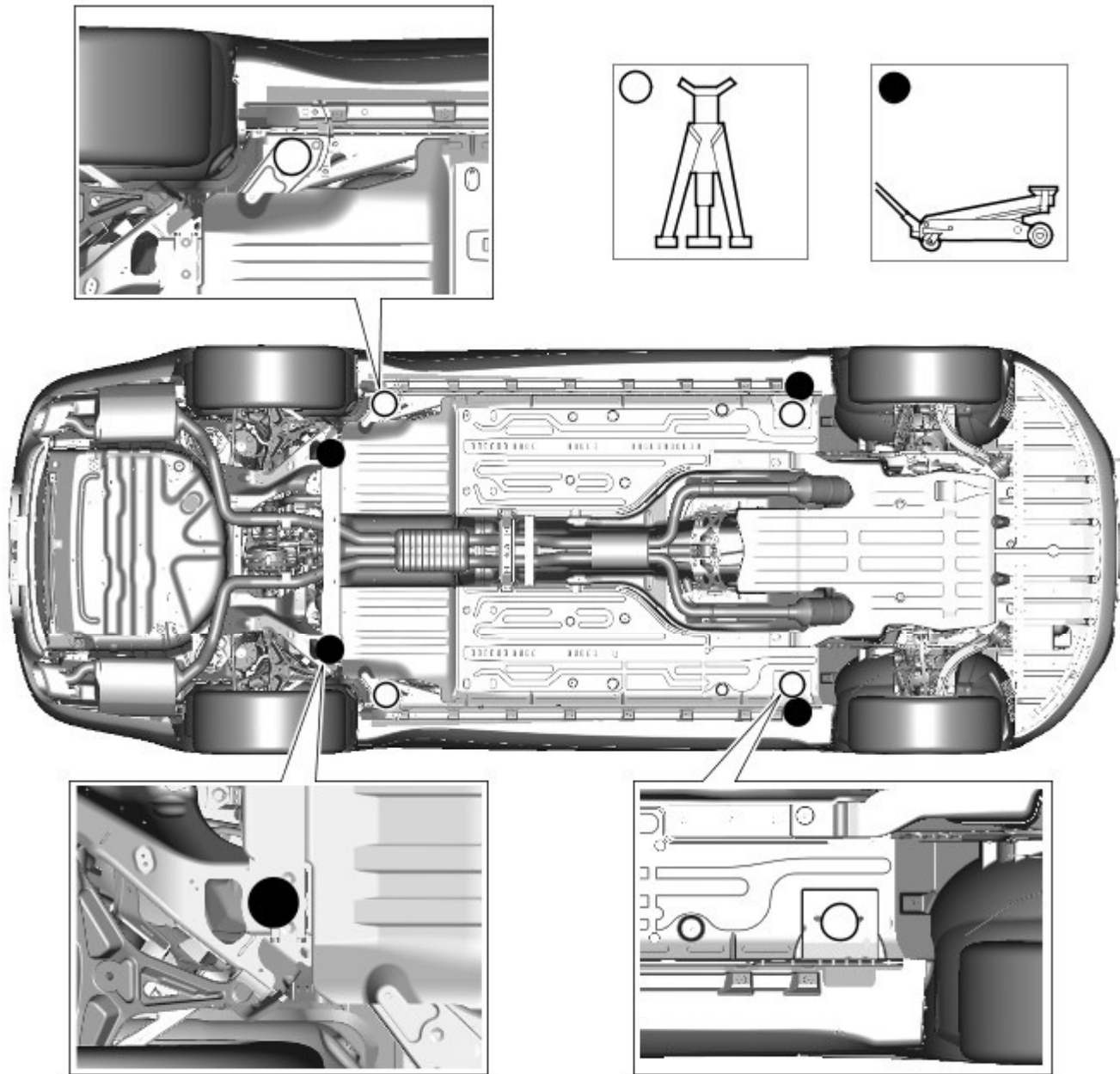
When using a floor jack to jack up the rear of the vehicle, the jack head must be aimed at the NVH bar securing bolts to avoid fuel tank damage or body damage.



When using a floor jack, a cushioned pad must be utilized to avoid body damage.



When using axle stands, a cushioned pad must be utilized to avoid damage to the body or rear subframe assembly.



E125994

## Vehicle Recovery

NOTES:



Prior to vehicle recovery, make sure the vehicle keys are available and the security system is disarmed.



Some variation in the illustrations may occur, but the essential information is always correct.

Vehicle recovery methods are:

- By flat-bed transporter.
- By rear suspended tow.

## Transporter or Trailer Recovery