

JAGUAR

# Parts Catalogue

---

## The New XJ Range

### From 2010 Model Year

Whilst every effort is made to ensure the accuracy of the particulars contained in this catalogue the Manufacturing companies will not, in any circumstances, be held liable for any inaccuracies or the consequences thereof.

© Jaguar Cars Ltd 2010

All rights reserved. No part of this publication may be reproduced, stored in a retrieval system or transmitted in any form, whether by electronic, mechanical, photocopying, recording or other means without the permission of Jaguar Cars limited.

Replacement parts that are not of genuine jaguar supply cannot be relied upon to be of correct specification, material, and workmanship and therefore Jaguar cannot be expected to extend warranty to vehicles which have been fitted with parts not supplied by them.

Jaguar reserves the right to make changes or improvements in the construction or specification of their products at any time.

IN ORDER TO ENSURE PROMPT AND CORRECT EXECUTION OF YOUR ORDERS, IT IS ESSENTIAL TO QUOTE:

1. The relative unit number, together with prefixes, suffixes and specification references where applicable.  
e.g. Axle, Body, Vehicle Identification, Engine, Gearbox Numbers etc.
2. The Part Number and description (prefix and suffix letters to part numbers must always be quoted).
3. Always state the colour of carpets, painted items, trim items etc., using the colour code from the Vehicle Identification Number (VIN) plate and the colour combination key to identify the colour name.
4. The quantity required, bearing in mind that the quantities shown are those used in the application actually illustrated. Sometimes only minimum package quantities are available. These packs may well contain more parts than are required for a single job; for details of packaged quantities, see the Service Parts List.

THE LISTING OR ILLUSTRATING OF AN ITEM DOES NOT  
GUARANTEE ITS AVAILABILITY

# Geographical Groupings

---

Where appropriate, applications for individual markets are displayed on the parts list section of the EPC window if there is more than one choice. If there is only one choice it is displayed in the “Attributes/Change Points” text box.

For convenience markets are sometimes categorised in to geographical groups.

**Definitions of the geographical groups used in this catalogue are as follows:**

Rough Road Markets	Argentina, Australia, Bahrain, Brazil, Chile, Dominican Republic, Dubai, Egypt, Estonia, Israel, Jordan, Kuwait, Lebanon, Malaysia, Mexico, Morocco, New Zealand, Oman, Panama, Philippines, Russia, Saudi, Arabia, South Africa, Sri Lanka, Syria, Thailand
--------------------	--

# Geographical Groupings

---

- European Markets UK, Ireland, Malta, Cyprus, Germany, Poland, Austria, Italy, France, Spain, Portugal, Belgium, Luxembourg, Netherlands, Switzerland, Sweden, Denmark, Finland, Norway, Latvia, Lithuania, Estonia, Russia, Czech Republic, Hungary, Slovenia, Croatia, Slovakia, Greece, Bulgaria, Romania, Serbia, Turkey, Israel
- Hot Markets Taiwan, Singapore, Saudi Arabia, Indonesia, Philippines, Panama, Malaysia, Mexico, Egypt, Dominican Republic, Lebanon, Kuwait, Jordan, Hong Kong, Bahrain, Dubai, Turkey, Argentina, Oman, Abu Dhabi, Brazil, Brunei, Chile, Cyprus, Greece, Guatemala, Israel, Korea, Malta, Morocco, Qatar, Syria, Tenerife, Uruguay, Vietnam

# Standard Abbreviations

---

Standard abbreviations are used in this parts list as follows.

(B)	Body number	LHD	Left hand drive
(E)	Engine number	LWB	Long wheel base
(G)	Gearbox number	m	Metres
(V)	Vehicle Identification Number (VIN)	MAP	Manifold air pressure
c/w	Complete with	MHz	Megahertz
CD	Compact Disc	mph	Miles per hour
CM	Centimetre	NLA	No longer available from Jaguar Cars Ltd
dia	Diameter	NSP	Non serviced part
DVD	Digital Versatile DISC	NSS	Not supplied seperately
EATC	Electronic automatic temperature control	o/d	Outside diameter
EGR	Exhaust gas re-circulation	PCB	Printed circuit board
EPB	Electronic park brake	RH	Right hand
g	Gram	RHD	Right hand drive
GDO	Garage door opener	RTV	Room temperature vulcanising
IVD	Interactive vehicle dynamics	SWB	Short wheel base
HC	High compression	v	Volts
HID	High intensity discharge	VDP	Vanden Plas
i/d	Inside diameter	VICS	Vehicle Information Communication System
kg	Kilogram	w	Watt
kph	Kilometres per hour		
LC	Low compression		
LH	Left hand		
		<b>Part Number Suffix Letters:</b>	
		E	Exchange
		N	New

# DVD Regions

---

## Region 1

Canada, U.S. and its Territories, Puerto Rico, American Samoa, U.S. Virgin Islands, Guam, Palau, Micronesia, Mariana Islands, Marshall Islands

## Region 2

Albania, Andorra, Austria, Bahrain, Belgium, Bosnia and Herzegovina, Bulgaria, Croatia, Czech Republic, Denmark, Egypt, Finland, France, Germany, Gibraltar, Greece, Greenland, Hungary, Iceland, Iran, Iraq, Ireland, Israel, Italy, Japan, Jordan, Kuwait, Lebanon, Liechtenstein, Luxembourg, Macedonia, Malta, Moldova, Monaco, Netherlands, Norway, Oman, Poland, Portugal, Qatar, Romania, San Marino, Saudi Arabia, Slovakia, Slovenia, South Africa, Spain, Sweden, Switzerland, Syria, United Arab Emirates, United Kingdom, Vatican City, Yemen, Yugoslavia.

## Region 3

Cambodia, Hong Kong, Indonesia, Laos, Malaysia, Myanmar, Philippines, South Korea, Taiwan, Thailand, Vietnam

## Region 4

Antigua and Barbuda, Argentina, Aruba, Australia, Bahamas, Barbados, Belize, Bolivia, Brazil, Chile, Colombia, Costa Rica, Cuba, Dominica, Dominican Republic, Ecuador, El Salvador, Falkland Islands, French Guiana, Grenada, Guatemala, Guyana, Haiti, Honduras, Jamaica, Mexico, New Guinea, New Zealand, Nicaragua, Panama, Paraguay, Peru, Suriname, Trinidad and Tobago, Uruguay, Venezuela

## Region 5

Afghanistan, Algeria, Angola, Bangladesh, Belarus, Benin, Botswana, Burkina Faso, Burundi, Cameroon, Cape Verde, Central African Republic, Chad, Comoros, Congo, Djibouti, Equatorial Guinea, Eritrea, Estonia, Ethiopia, Gabon, Gambia, Georgia, Ghana, Guinea, Guinea-Bissau, India, Ivory Coast, Kazakhstan, Kenya, Latvia, Lesotho, Liberia, Libya, Lithuania, Madagascar, Malawi, Mali, Mauritania, Mauritius, Mongolia, Morocco, Mozambique, Namibia, Niger, Nigeria, North Korea, Pakistan, Russia, Rwanda, Sao Tome and Principe, Senegal, Seychelles, Sierra Leone, Somalia, Sri Lanka, St. Helena, Sudan, Tanzania, Togo, Tunisia, Turkmenistan, Uganda, Ukraine, Uzbekistan, Zambia, Zimbabwe

## Region 6

China

# LOCKING FREQUENCY REGIONS

---

- **315mhz**

Argentina, Aruba, Bahamas, Barbados, Bolivia, Brazil, Cambodia, Cayman Islands, Chile, Columbia, Costa Rica, Cuba, Dominica, Ecuador, Egypt, Ethiopia, Fiji, Ghana, Grenada, Guam, Guatemala, Haiti, Honduras, Hong Kong, Indonesia, Jamaica, Japan, Macau, Malawi, Nicaragua, Panama, Papa New Guinea, Paraguay, Peru, Puerto Rico, Rwanda, St. Kitts & Nevis, St. Lucia, St Vincent & Grenadine, Seychelles, Singapore, Sudan, Taiwan, Thailand, Trinidad & Tobago, Uganda, Uruguay, USA, Venezuela, Vietnam, Zambia, Zimbabwe

- **433mhz**

Afghanistan, Albania, Algeria, Andorra, Angola, Antigua & Barbuda, Armenia, Australia, Austria, Azerbaijan, Bahrain, Belarus, Belgium, Bosnia Herzegovina, Bulgaria, British Virgin Islands, Brunei, Burkina Faso, Cameroon, Cape Verde, Central African Republic, Chad, China, Congo, Cook Islands, Cote d'Ivoire, Canaries, Croatia, Cyprus, Czech Republic, Denmark, Eire, Egypt, El Salvador, Estonia, Falkland Islands, Finland, French Guiana, France, Gabon, Gambia, Germany, Georgia, Gibraltar, Gran Canaria, Greece, Greenland, Guadeloupe, Guinea-Bissau, Guyana Holland, Hungary, Iceland, Italy, Israel, Iran, Jordon, Kazakhstan, Kenya, Kosovo, Kuwait, Kyrgyzstan, Laos, Latvia, Lebanon, Lesotho, Liberia, Libya, Madagascar, Mali, Martinique, Mauritius, Liechtenstein, Lithuania, Luxembourg, Macedonia, Malta, Moldova, Monaco, Mongolia, Montenegro, Montserrat, Morocco, Mozambique, Myanmar, Namibia, Nepal, New Caledonia, New Zealand, Niger, Nigeria, Norway, Oman, Pakistan, Palestine, Philippines, Poland, Portugal, Qatar, Reunion Romania, Russia, Samoa, Senegal, Sierra Leone, San Marino, Saudi Arabia, Saudi Arabia, Serbia, Slovakia, Slovenia, Spain, South Africa, South Korea, Sri Lanka, Swaziland, Syria, Sweden, Tahiti, Tanzania, Tenerife, Togo, Turkey, Turkmenistan, UK, Ukraine, United Arab Emirates, US Virgin Islands, Uzbekistan

# Vehicle Identification Numbering System (Global)

The Vehicle Identification Number comprises a series of letters and numbers representing in code such information as Marque, Model Range, Class Engine Type etc. The codes for the New XJ Range are as follows:

## PREFIX 1 to 3

### World manufacturing Identifier

SAJ = Jaguar

## PREFIX 4

### Market & Airbag Spec

A = Rest of World

B = Canada

D = USA

E = USA (1)

F = Canada (1)

J = USA (2)

K = Japan (1)

P = Mexico (1)

R = Mexico (2)

W = USA (3)

Y = Mexico (3)

## PREFIX 5

### Transmission & Steering

A = Automatic LHS

C = Automatic RHS

## PREFIX 6 & 7

### Body Code

10 = 4-door 5 seat - Luxury JT2

11 = 4-door 4 seat - Luxury JT2

12 = 4-door 5 seat - Premium Luxury JT3

13 = 4-door 4 seat - Premium Luxury JT3

14 = 4 door 5 seat - Supersport JT4

15 = 4-door 4 seat - Supersport JT4

16 = 4-door 5 seat - Portfolio JT5

17 = 4 door 4 seat - Portfolio JT5

18 = 4-door 5 seat - Super Luxury JT6

19 = 4-door 5 seat - Super Luxury JT6

20 = LWB 4-door 5 seat - Luxury JT2

21 = LWB 4-door 4 seat - Luxury JT2

22 = LWB 4-door 5 seat - Premium Luxury JT3

23 = LWB 4-door 4 seat - Premium Luxury JT3

26 = LWB 4-door 5 seat - Portfolio JT5

27 = LWB 4 door 4 seat - Portfolio JT5

28 = LWB 4-door 5 seat - Super Luxury JT6

29 = LWB 4-door 5 seat - Super Luxury JT6

30 = LWB Arm'd 4-door 5 seat - Premium Luxury JT3

31 = LWB Arm'd 4-door 4 seat - Premium Luxury JT3

## PREFIX 8

### Emission

B = ECS 2

C = ECS 3

D = ECS 4

E = ECS 5

F = ECS 6

G = ECS 7

M = ECS 12

P = ECS 14

R = ECS 15

T = ECS 17

U = ECS 18

W = ECS 20

X = ECS 21

Y = ECS 22

1 = ECS 23

2 = ECS 24

## PREFIX 9

### Check Digit ?

## PREFIX 10

### Model or Year Change

A = 2010 Model Year

B = 2011 Model Year

## PREFIX 11

### Assembly Plant

L = Castle Bromwich XJ 5.0V8

M = Castle Bromwich XJ 5.0V8 S/C

N = Castle Bromwich XJ 3.0V6 Diesel

I



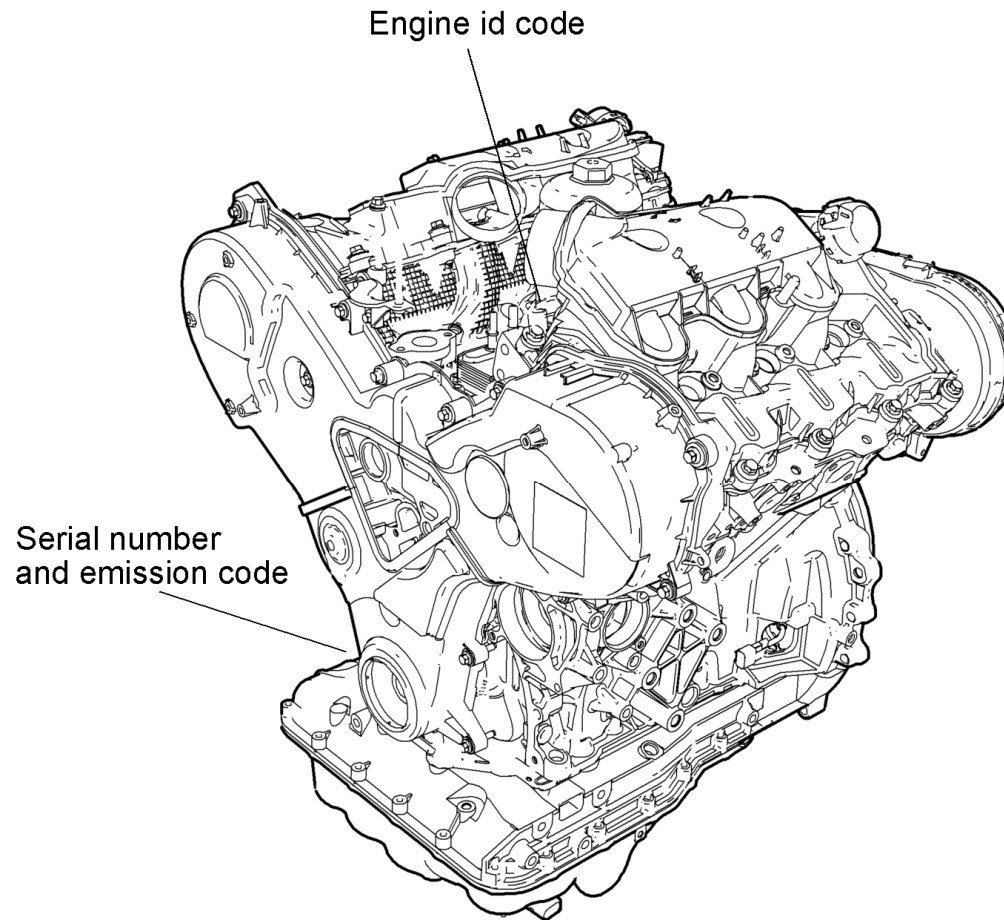
# Model Year VIN Introductions

---

- 2010MY – V00001

# V6 Diesel Engine Serial Numbers

---

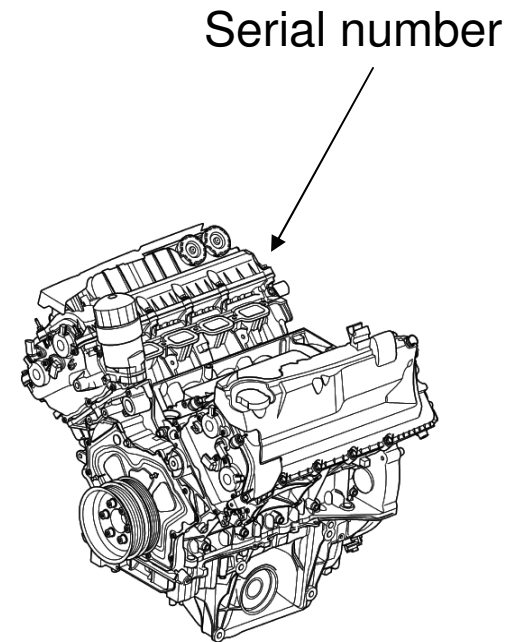
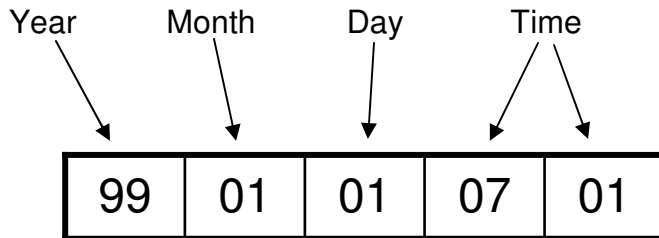


# V8 Petrol Engine Serial Numbers

---

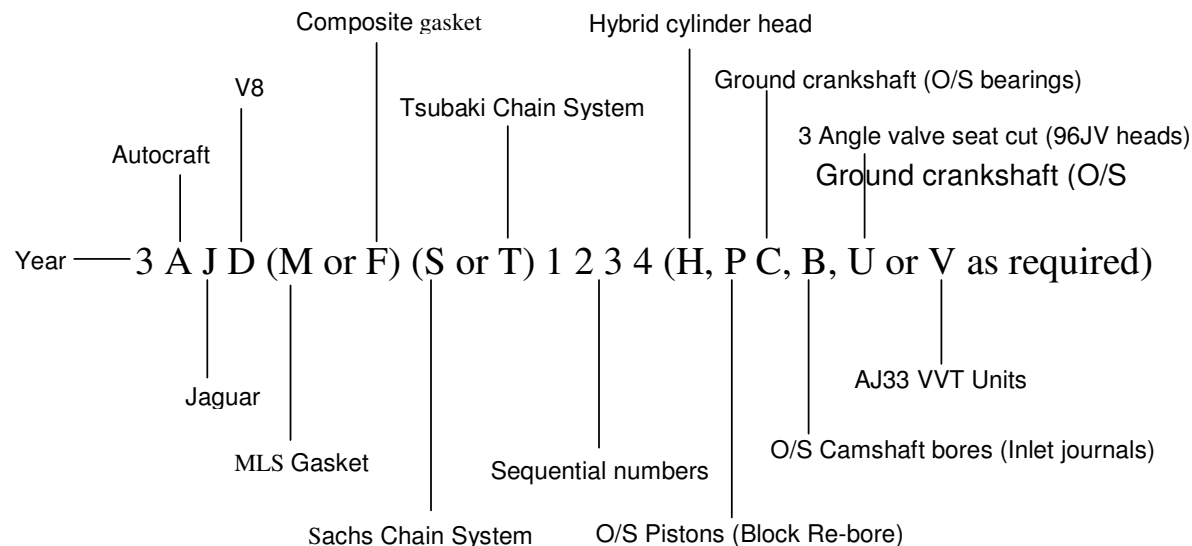
The production fit V8 engine serial number is 10 digits long and denotes production date and time.

Typical serial number example:



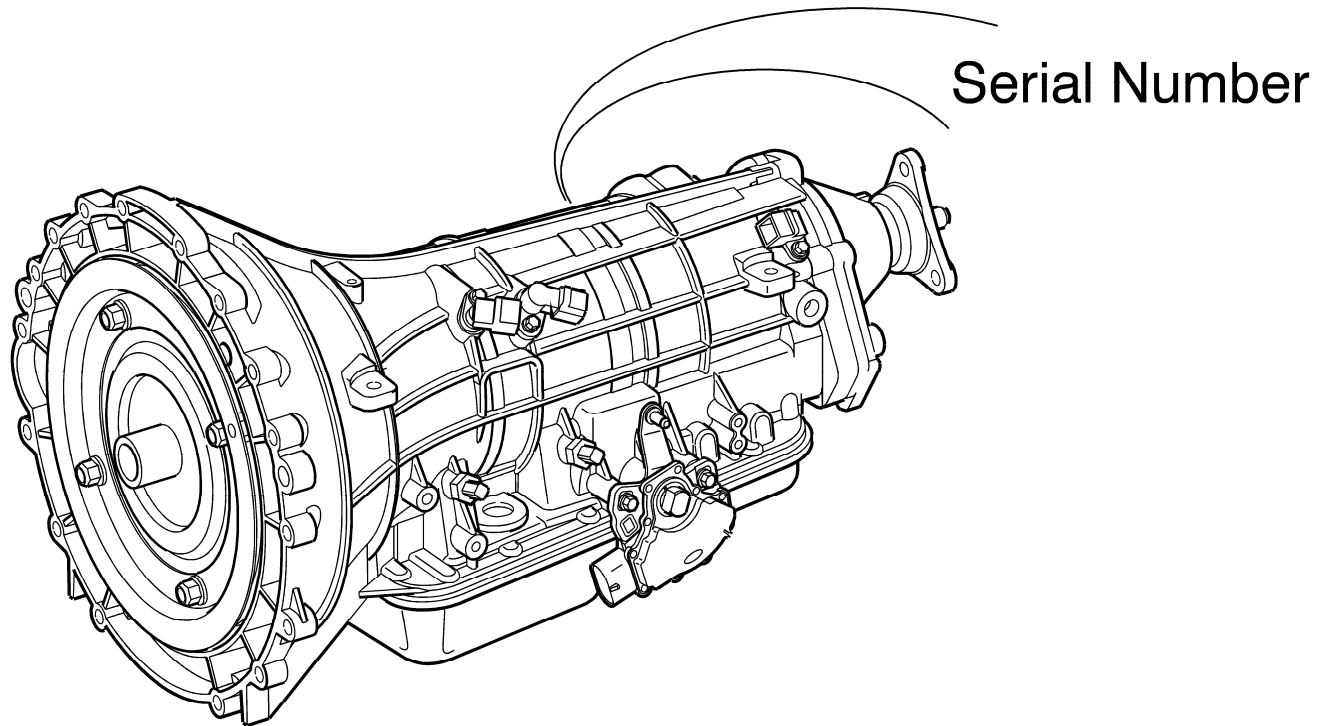
# Re-manufactured Engine Serial Numbers

Head gaskets and chain systems are always fitted, and therefore the ID letters will always be part of the stamping. Care must be taken with the H, P, C, B, U and V options as these may not always be used. In some cases none of the letters will be required.



# Gearbox Serial Number

---



# Body Colour Codes

Colour Name	JBC No	Suffix
Botanical Green	2044	HHN
Cashmere Gold	2094	GDR
Caviar	2100	CHP
Celestial Black	2062	PEJ
Claret	2097	CHN
Ebony Black	1807	PEC
Frost Blue	2053	JJZ
Indigo	2003	JJX
Liquid silver	2029	MEE
Lunar Grey	2028	LJZ
Pearl Grey	1051	LMN

Colour Name	JBC No	Suffix
Porcelain	2023	NEL
Spectrum blue	2108	JKM
Ultimate Black	2103	PEL
Vapour Grey	2041	LMO

